

ZEFNET PRO



ZEFNET-40/60/80-PRO

Introducing the ZEFNET PRO, the commercial-grade charger our clients asked us to build: A dual-plug unit that looks great, is easy to install and operate, has a full stack of owner and driver-facing features, and is backed by the industry's best standard warranty.

Highlight Features

- » 23-foot cords with integrated cable management
- » Large, high visibility status LEDs (L/R and F/B)
- » Hot-dipped galvanized steel construction
- » Ships fully assembled
- » Made entirely in the U.S. with U.S. steel
- » Access or payment options via smartphone app, credit card swipe/dip/tap, RFID, and NFC
- » 6.5 square feet of custom branding space



Made in Partnership with

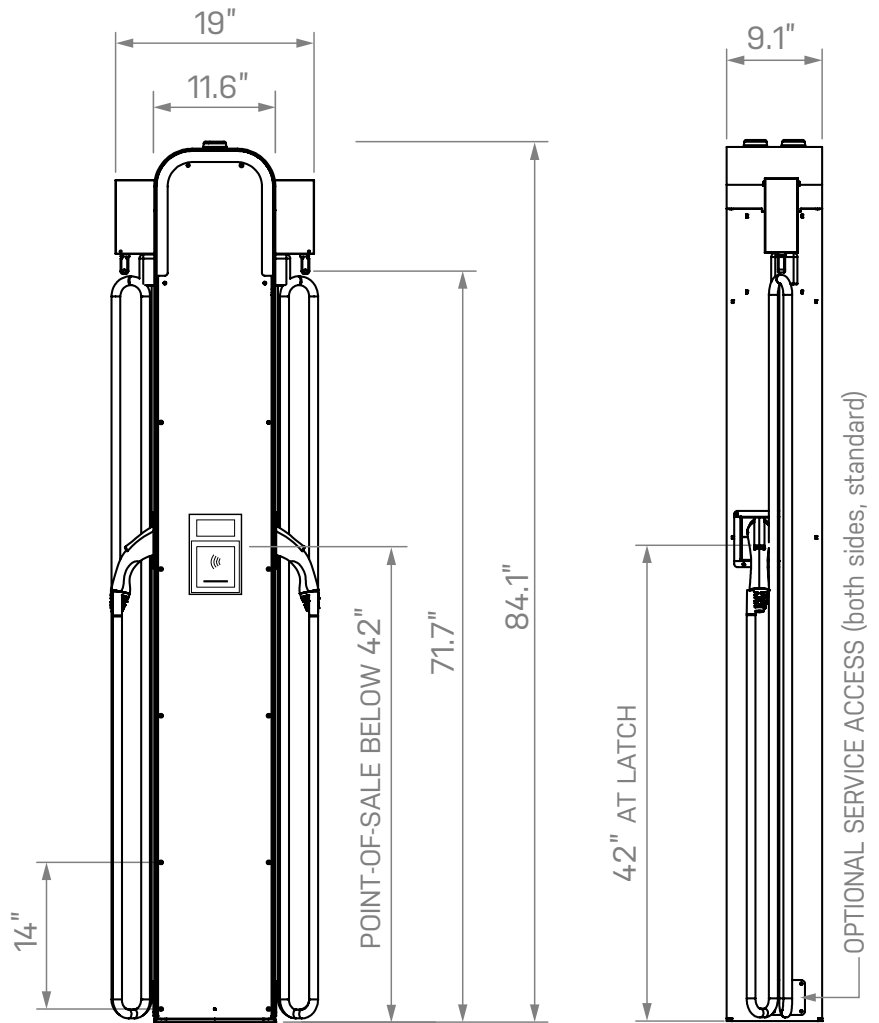


Technical Specifications

	ZEFNET-40-PRO	ZEFNET-60-PRO	ZEFNET-80-PRO
PLUG STANDARD	SAE J1772		
NUMBER OF PLUGS	2		
TOTAL MAX KW RATING	15.4 kW (2 X 7.7kW)	23kW (2 X 11.5kW)	30.8kW (2 X 15.4kW)
CIRCUIT BREAKER RATING	2 X 40A	2 X 60A	2 X 80A
MAXIMUM CURRENT	2 X 32A	2 X 48A	2 X 64A
SERVICE INPUT	2 X 208V to 240V, 40A/60A/80A, single phase, 2 wire + grounding		
CHARGER OUTPUT	2 X 208V to 240V, 32A/48A/64A continuous		
POWER SHARING / CIRCUIT SHARING	Units can run with an independent circuit to each plug for maximum output or can share a single circuit across 2, 3, or 4 plugs (with auto balancing) to minimum power draw		
OUTPUT CONTROL	Individual plugs can operate at 25% increments of total power output based on user-defined controls. ZEFNET allows for <i>static</i> (limit output power according to a set value for one plug/group) or <i>dynamic</i> (limit output power against a data feed for one plug/group) or both simultaneously		
HARDWARE FEATURES			
OVERALL DIMENSIONS (H X W X D)	84.2 in / 213.9 cm x 19.0 in / 48.3 cm (including cords) x 9.1 in / 23.1 cm		
TOTAL WEIGHT	220 lbs / 99.8 kg		
MOUNTING OPTIONS	Units are base mounted -- free-standing or flush to a wall (bottom or side entry for electrical service conduit/conductor)		
STATUS LEDS	Over 5 feet of high visibility LED strips on front and back of the top of machine w/ L & R plug-specific notifications		
ANCHOR BOLT PATTERN	Compatible with most current and legacy units		
PLUG DURABILITY/SERVICEABILITY	Rubber over-molded, Type 4X watertight and corrosion resistant plugs, impact and crush resistant w/5-year warranty and field-replaceable latches		
CABLE LENGTH	23 feet per plug		
CABLE MANAGEMENT	Integrated into pedestal		
INTEGRATED SERVICE RATED BREAKER PANEL	Optional (located in base of unit, front access)		
SERVICE GROUND MONITOR	Constantly checks for presence of proper safety ground		
CIRCUIT RECLOSURE	Automatic circuit reclosure after minor power faults		
CHARGE CIRCUIT INTERRUPTION DEVICE	Ground fault protection with fully automated self-test, eliminates manual user testing		
EASE OF INSTALLATION	Arrives fully assembled, conduit routing via base or side, bolt pattern matches legacy units		
DRIVER POINT-OF-SALE & ACCESS CONTROL			
SMARTPHONE APP	Provided as standard (download through Apple or Android app store)		
OPTIONAL PAYMENT/ACCESS MODULE	Adds credit card swipe/dip/tap (RFID and NFC) as well as mobile wallet payments (Apple Pay, Google Pay, etc.)		
CONNECTIVITY			
COMMUNICATIONS	Cellular modem (or Wi-Fi option available) *4G cellular is standard; also offer 2G or 3G		
COMPATIBILITY	OCPP and OpenADR compliant		
SAFETY & OPERATIONAL RATINGS			
CERTIFICATIONS	ETL and cETL listed		
FCC	Compliant with Part 15 of FCC rules		
NEMA RATING	NEMA 4 - Indoor/outdoor rated, fully sealed, waterproof, and corrosion-resistant enclosure.		
OPERATING TEMP/HUMIDITY	Non-derated performance across full -22F to +122F (-40C to 50C) range with relative humidity of 95%		

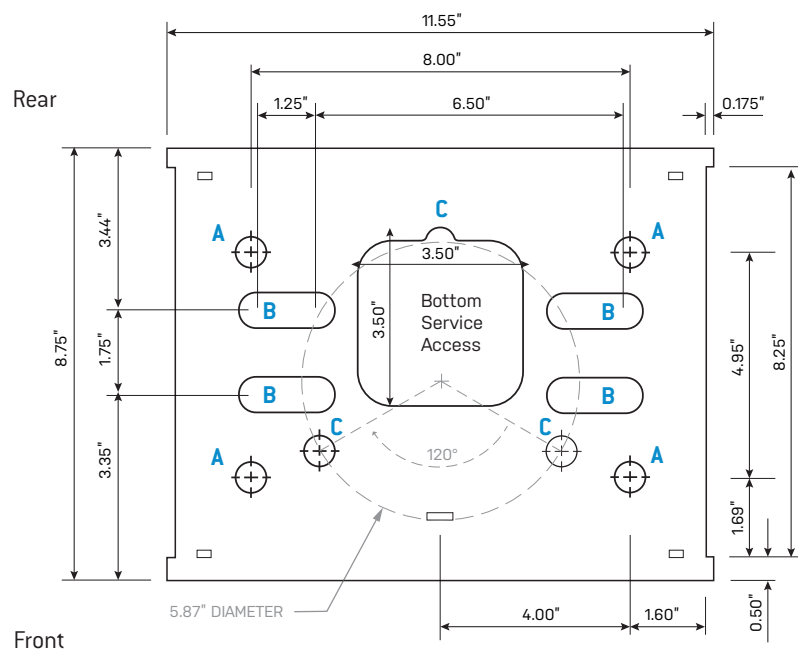
Dimensions

- » Additional dimensions are provided in our installation guide and can be found at support.zefenergy.com or by request from our sales team.
- » The ZEFNET PRO comes with standard conduit access on the bottom or either side of the unit.
- » The unit comes pre-assembled with any custom branding already applied.
- » For more information please contact solutions@zefenergy.com.



Anchor Bolt Pattern

- » The ZEFNET PRO is mounted on an anchor bolt plate that aligns with legacy units for easy charger placement
- » The center of the plate is for bottom conduit access
- » **Pattern A:** For new ZEFNET PRO installations
- » **Pattern B:** Aligns with legacy ChargePoint units
- » **Pattern C:** Aligns with legacy ClipperCreek, GE, and other units

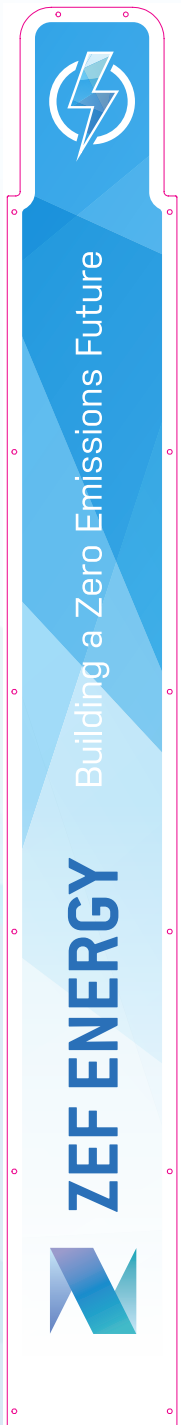


Custom Branding

Custom graphics are a great way to promote your brand or message. Vinyl designs are applied on the front and back of each ZEFNET Pro charger. Custom branding is a great way to promote your brand or message. You have 6.5 square feet on each side to work with.

Download our Charger Branding Guide and templates on our Support page at **support.zefenergy.com**, for more detailed design specifications and instructions for submitting design proofs.

- » Graphics files type:
Vector format (PDF, or AI)
- » Artboard Size (approx.):
83 inches tall x 11 inches wide
- » Resolution:
300 dpi or better
- » Bleed:
1/4 inch minimum on all sides
- » Color Mode:
CMYK process color



Why Choose ZEF Energy

A partner like ZEF is hard to find. We are a team of technical experts from the load management, software development, and program deployment sectors. We think deeply about customer challenges and we approach each client as a partner. You will not find our unique combination of value anywhere else.



Contact Us

ZEF ENERGY SALES TEAM
SOLUTIONS@ZEFENERGY.COM
612.688.4596