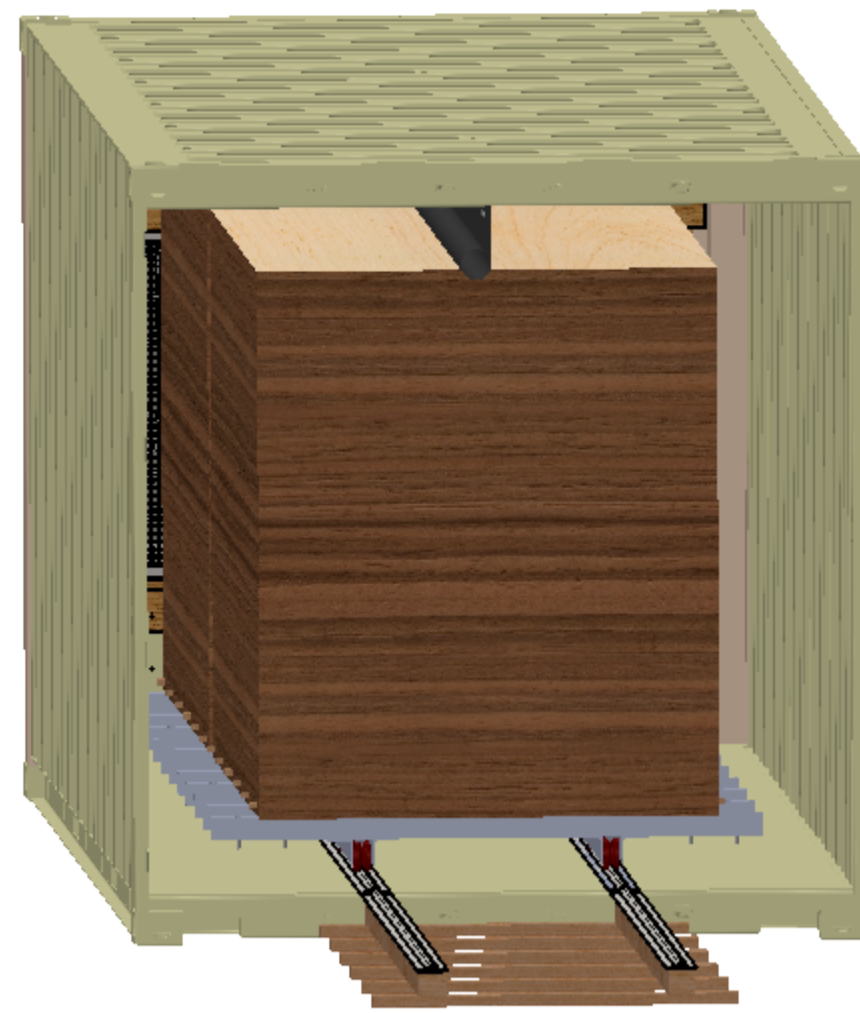


Minimum R-13 Recommended

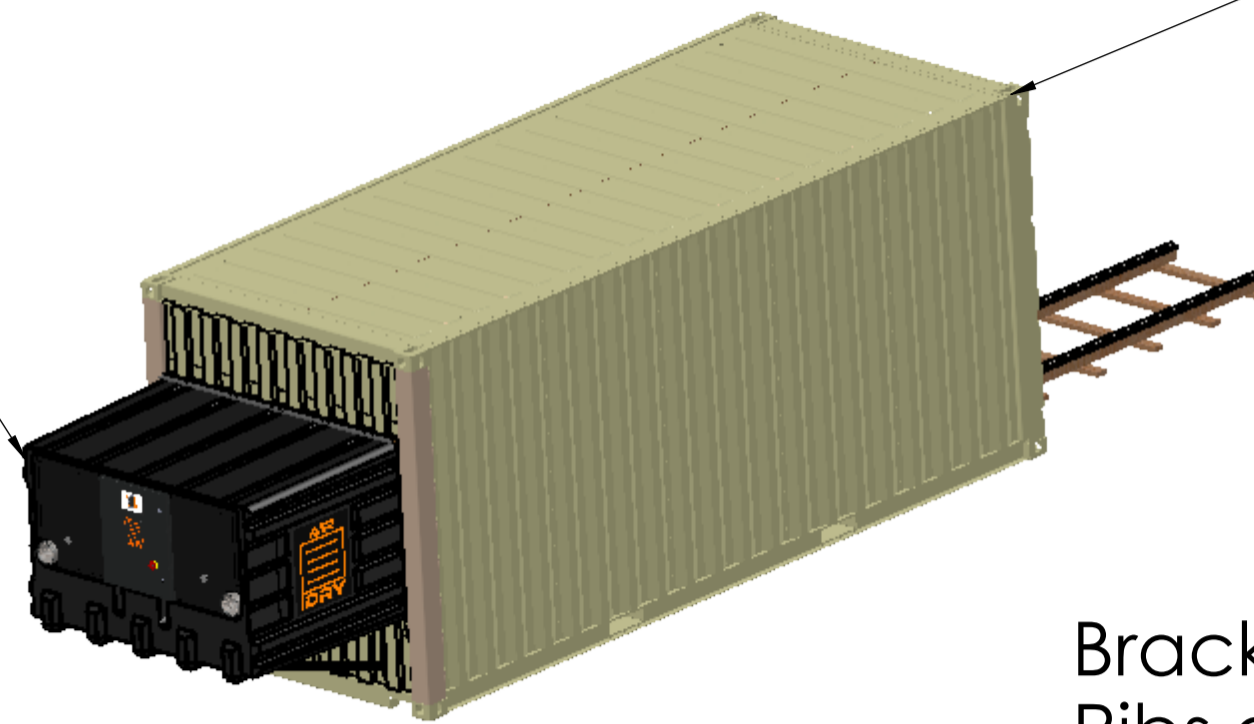


Lumber Pack	Recommended	MAX
Length	17ft	19ft
Width	60in	60in
Height	65in	90in

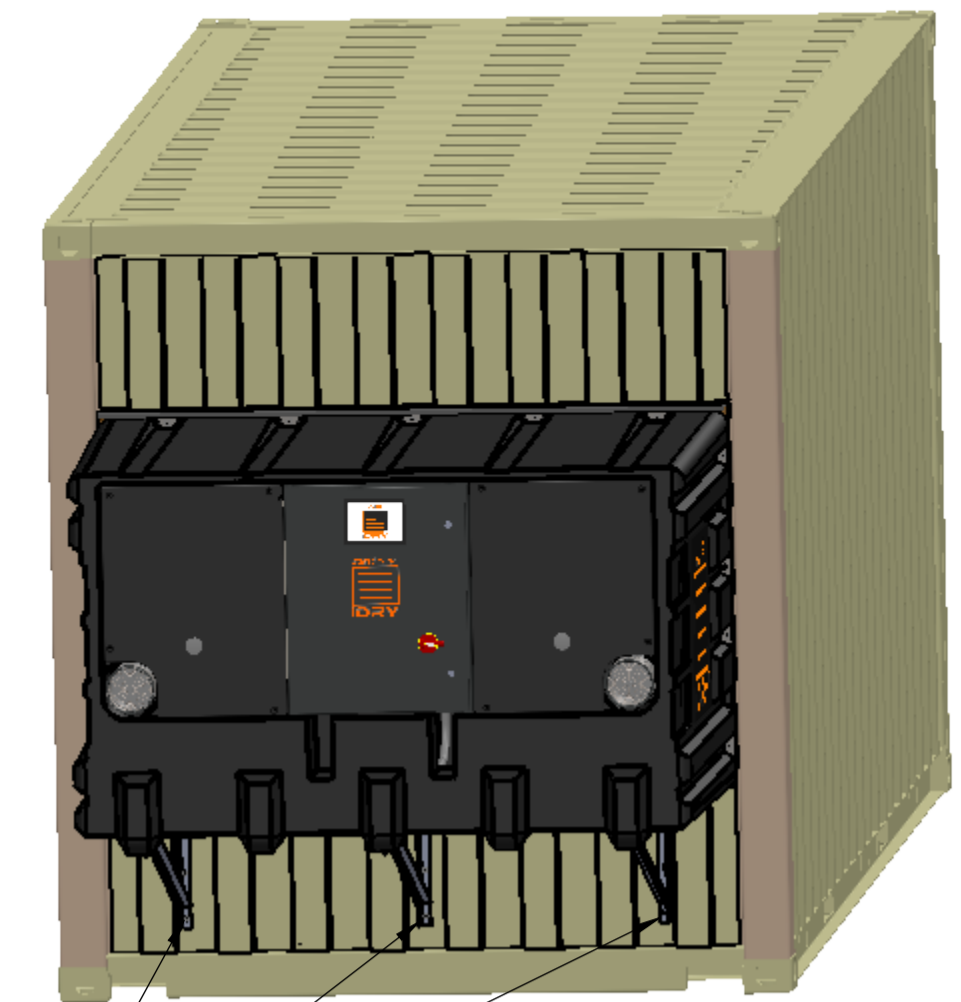
IDRY AIR

Typical Installation
Customer Supplied
20' Shipping Container

IDRY AIR

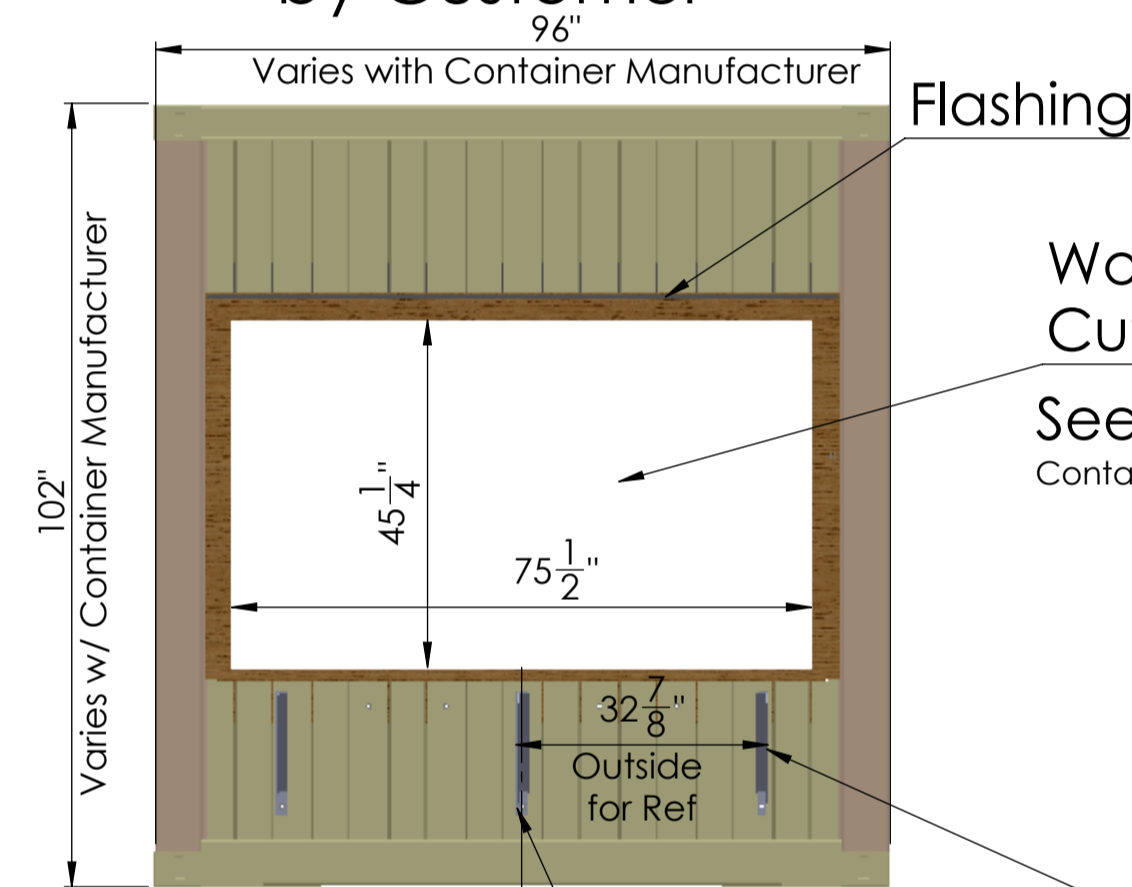


Container by Customer



Bracket Spacing Must Match
Ribs on **AIR** Module
See Container Endwall Detail for Height

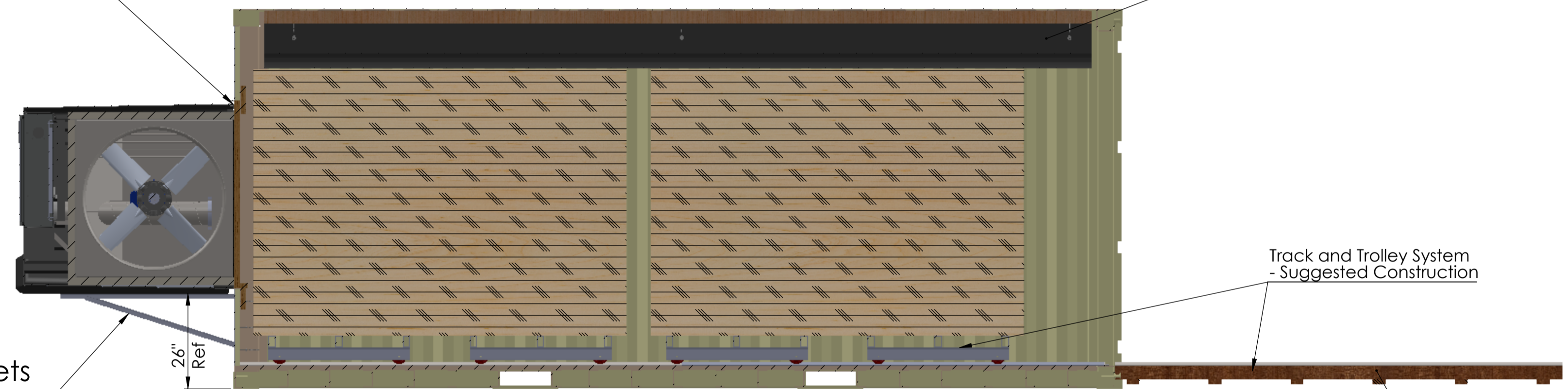
**Container Modifications
by Customer**



Aluminum Support Brackets
Included

Bracket Spacing Must Match
Ribs on **AIR** Module
See Container Endwall Detail for Height

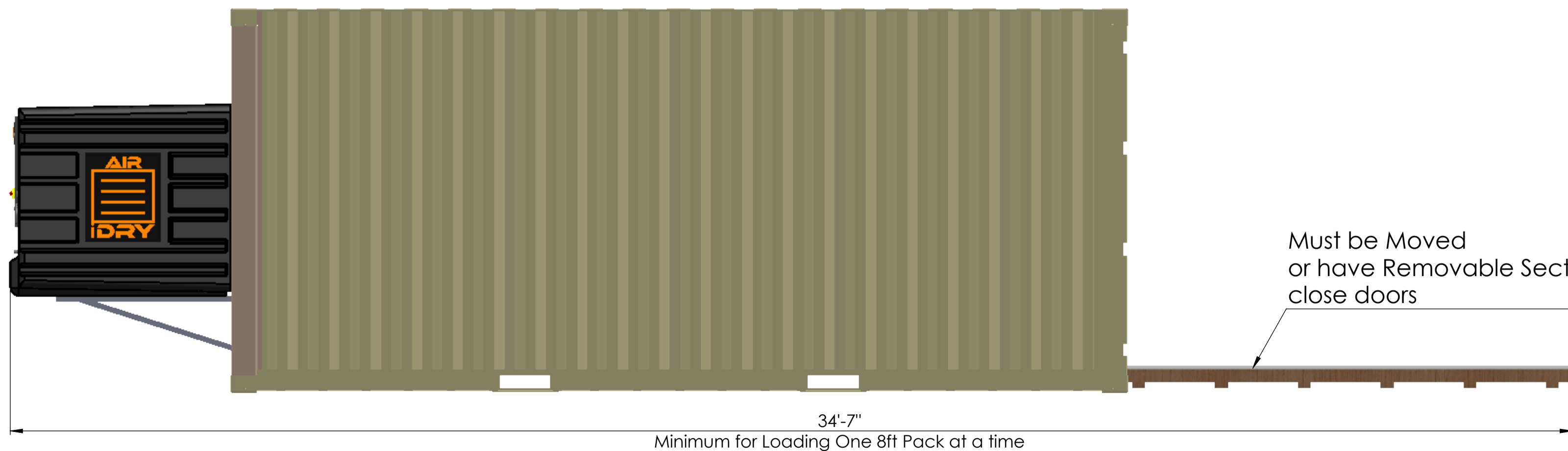
Attach w/ 5/16" Structural Scerws



**Must be Placed on
Level Ground**

For Cold Climates Slab Recommended - Install per Local Building Codes

Must be Moved to
close doors



**Recommended Container Modifications
by Customer**

- Insulation R13 Minimum
- EndWall Cut-out
- Frame-in EndWall Opening
- Mount Support Brackets
- Track and Trolley System
- Air Baffle
- Protect Interior from Corrosion/Rot

Applies to Serial # and After:

FILENAME: container Air

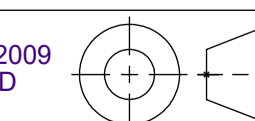
LAST SAVED Thursday, January 18, 2024 4:49:57 PM



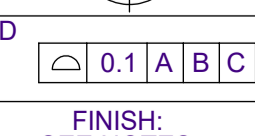
IDRY Drying Systems

Green Mountain Mechanical Design, Inc
29 PITMAN RD BARRE, VT 05641
©2018 All Rights Reserved
CONFIDENTIAL

INTERPRET GEOMETRIC
TOLERANCES PER ANSI Y14.5-2009
UNLESS OTHERWISE SPECIFIED
DIMENSIONS ARE IN INCHES



UNLESS OTHERWISE SPECIFIED
ALL UNTOLERANCED
DIMENSIONS ARE BASIC.



MATERIAL:
SEE NOTES

FINISH:
SEE NOTES

DESCRIPTION:
AIR - Cust. Supplied Container

DWG BY: LT CHK BY:

SIZE: PART NUMBER:

MOD BY: APR BY: A1 MASS:

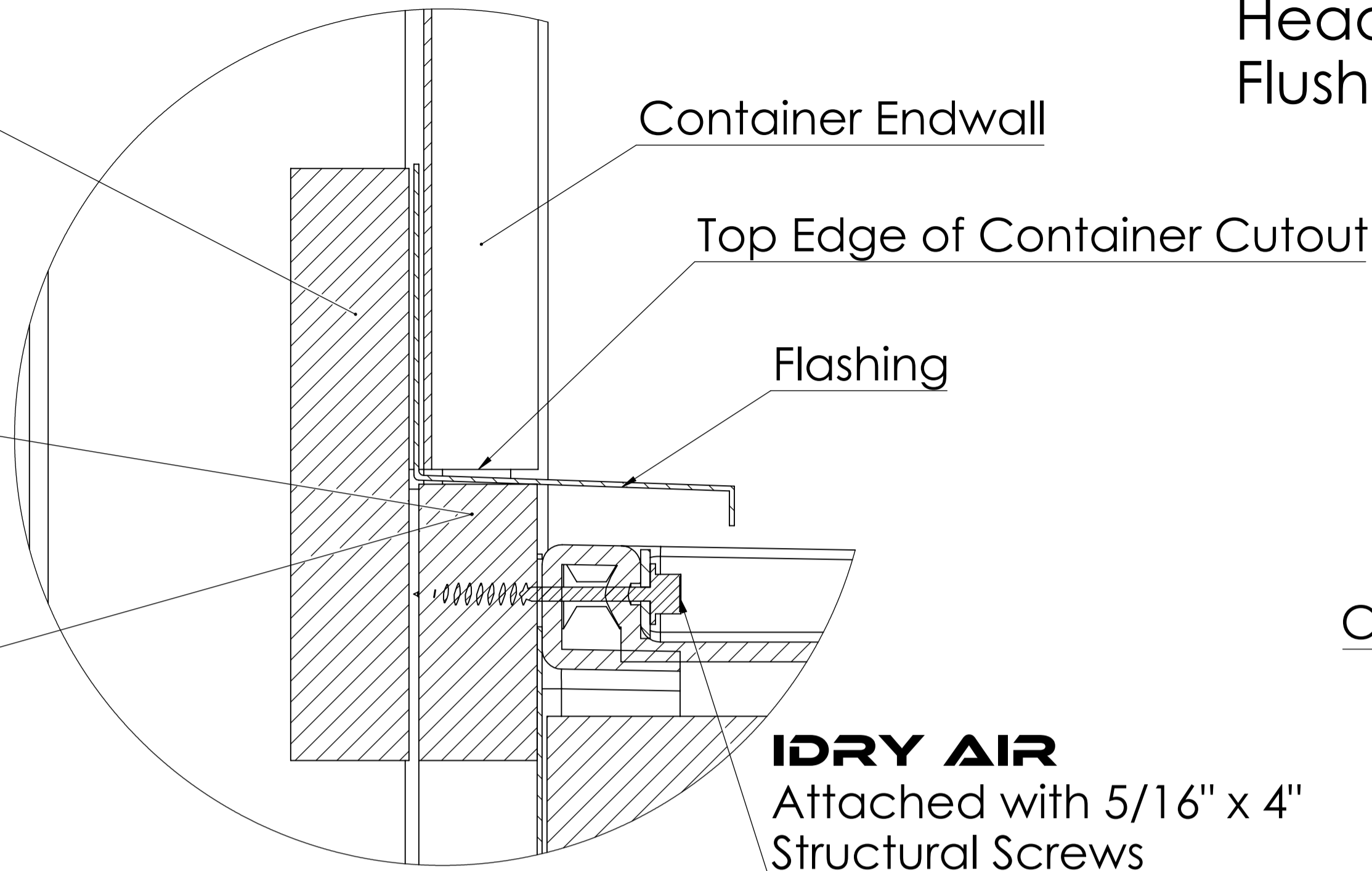
SCALE: 1:50 SHT 1 OF 1

REV
1

2x10 Backer
Thru-Bolted to
Container Flats

Header
Thru-Bolted to
2x10 Backer

2 x 4 shown



Header and Sill Should be
Flush with OUTSIDE of Container

Sill Notched for Jamb

Left Side of Container Cut-Out

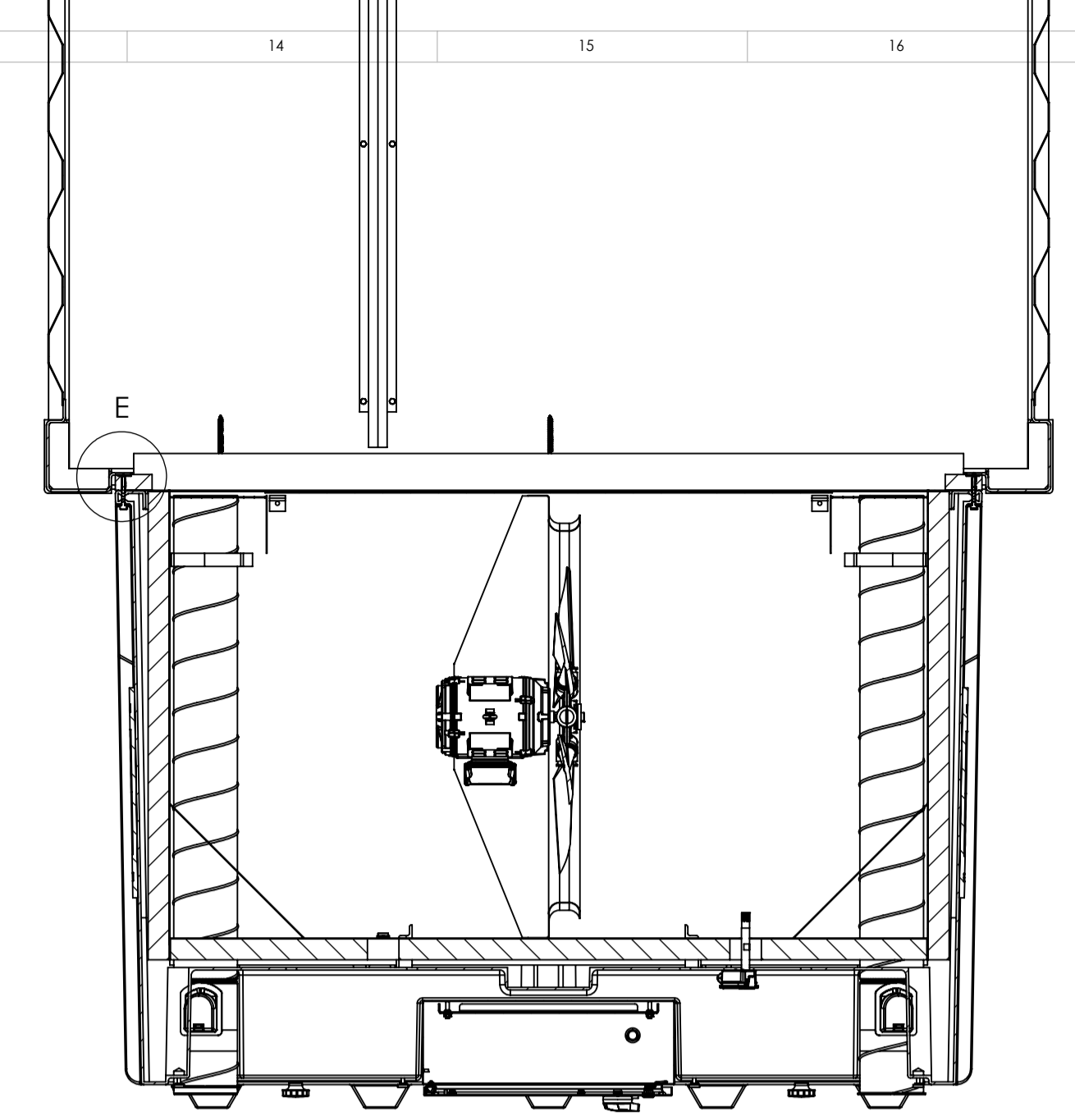
Container

Container Corner Post

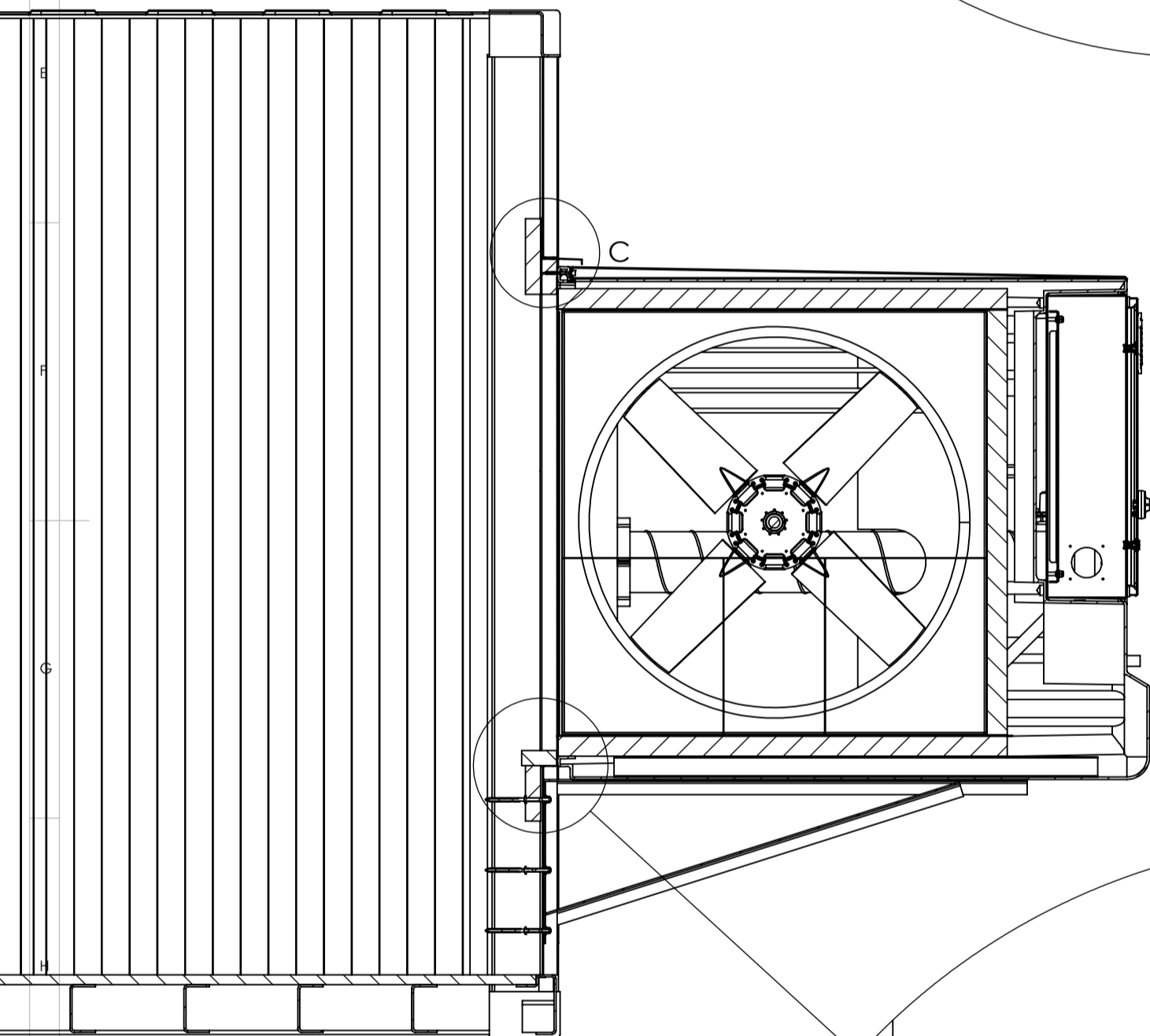
IDRY AIR
Attach with 5/16" x 3"
Structural Screws and
Custom Washers

Jamb Leg Thru-Bolted
to Container

Top Section



Side Section



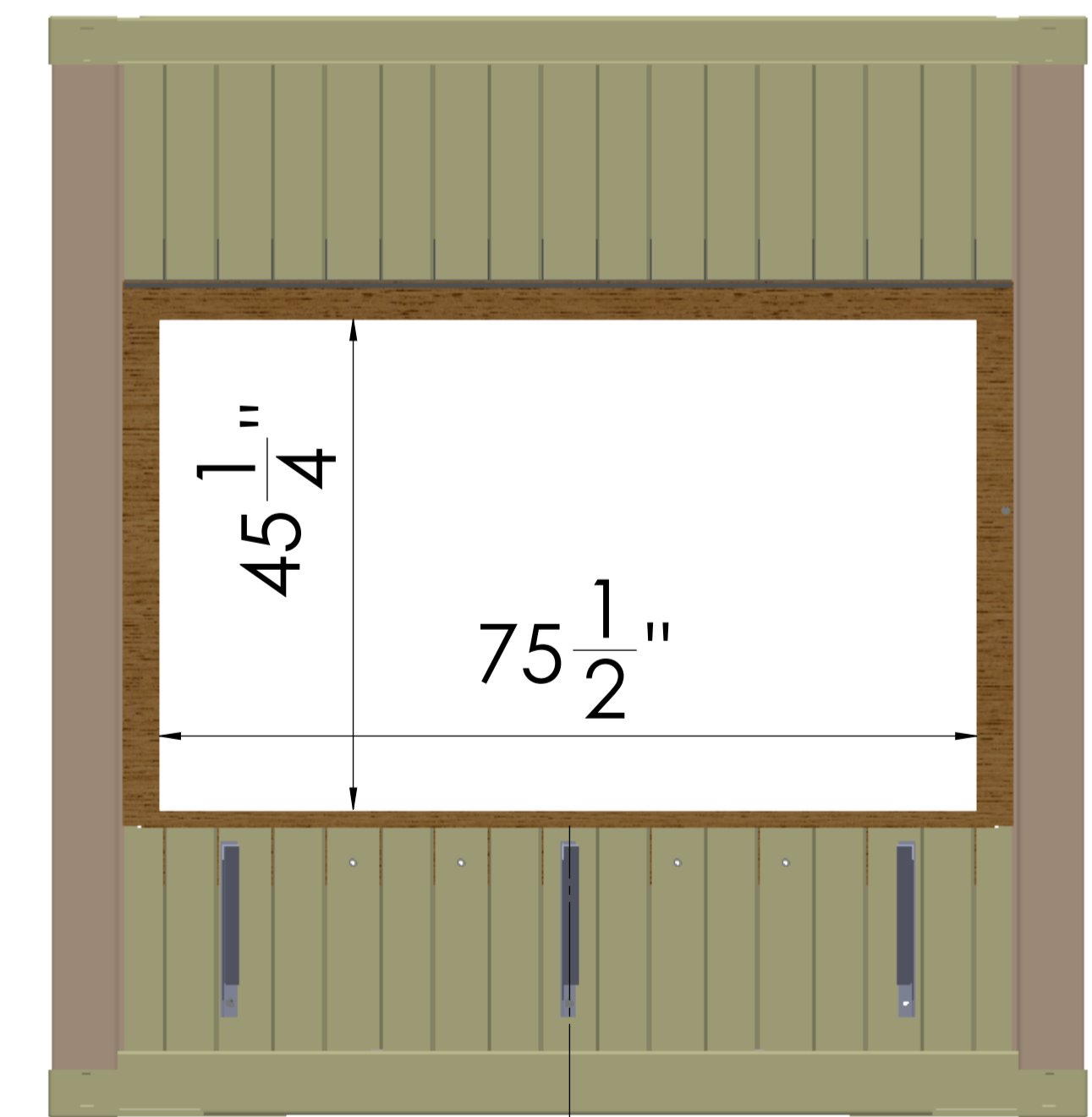
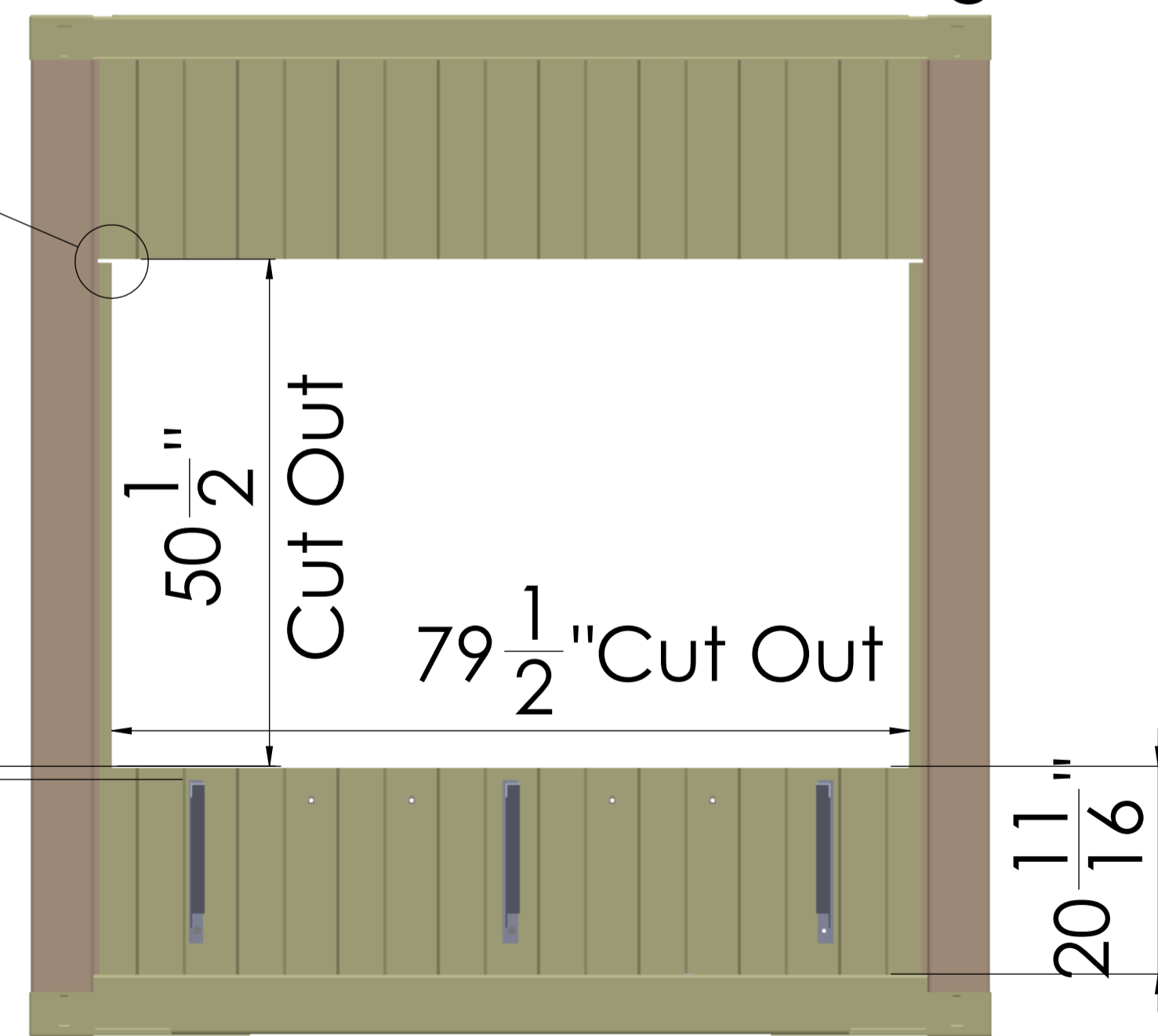
See Drawing: Container Cutout Detail

Over Cut for Flashing

DETAIL F
SCALE 1 : 5

Top of Angle Bracket
to Container Cutout

Angle Bracket Shares
top Bolt with Backer



Sill Screwed Down
to Backer

2 x 4 Sill

Bottom Edge
of Container Cutout

2 x 6 Backer

Container Endwall

Backer Thru-Bolted
to Container Flats

3 5/16"

Applies to Serial # and After:

FILENAME: Cut OUT - container Air

LAST SAVED Thursday, January 18, 2024 4:41:53 PM

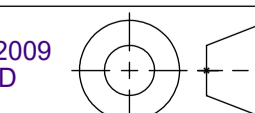


IDRY Drying Systems

Green Mountain Mechanical Design, Inc
29 PITMAN RD BARRE, VT 05641
©2018 All Rights Reserved
CONFIDENTIAL

INTERPRET GEOMETRIC
TOLERANCES PER ANSI Y14.5-2009
UNLESS OTHERWISE SPECIFIED
DIMENSIONS ARE IN INCHES

UNLESS OTHERWISE SPECIFIED
ALL UNTOLERANCED
DIMENSIONS ARE BASIC.



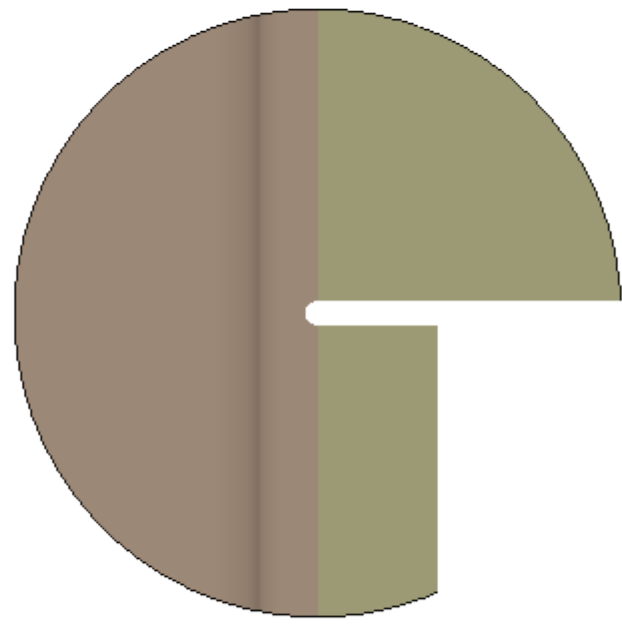
0.1 A B C
MATERIAL:
SEE NOTES
FINISH:
SEE NOTES

DESCRIPTION:
Container Cut Out and Framing

DWG BY: LT
CHK BY:
MOD BY:
APR BY:
SIZE: A1
PART NUMBER:
MASS:
SCALE: 1:5 SHT 1 OF 1

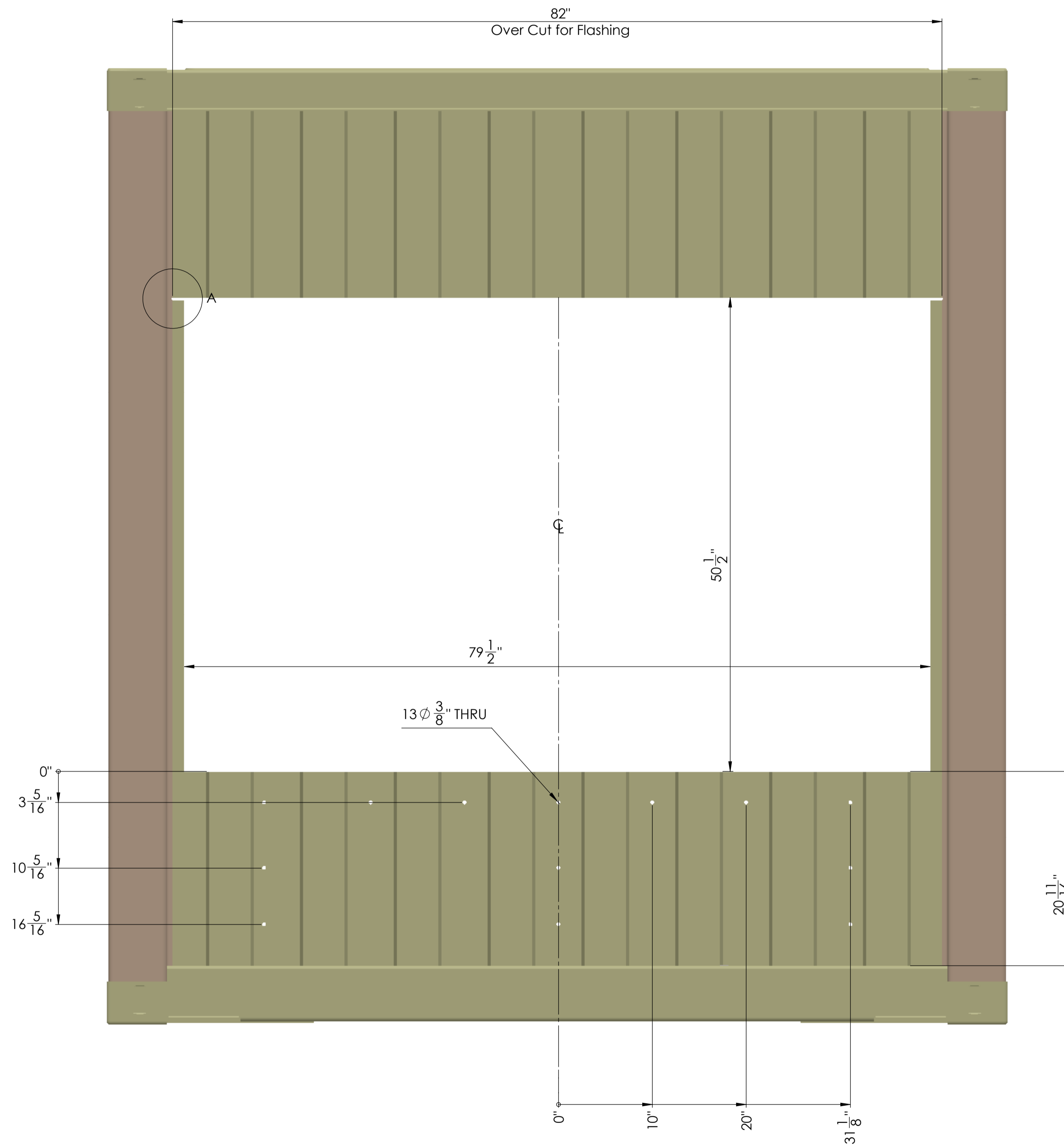
REV 1

Over Cut For Flashing



DETAIL A
SCALE 1 : 2

iDry AIR Container Cut Out Detail



Level Container Recommended

- Allows for use of laser to follow corrugations

Cut Container with

- Abrasive Wheel
- Oxy-Acetylene Torch
- Plasma Cutter

Install Wood Frame and Angle Brackets Prior to Insulation

Applies to Serial # and After:

FILENAME: Container Cut Out Detail iDry Air

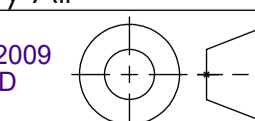
LAST SAVED Thursday, January 18, 2024 4:43:31 PM



iDRY Drying Systems

Green Mountain Mechanical Design, Inc
29 PITMAN RD BARRE, VT 05641
©2018 All Rights Reserved
CONFIDENTIAL

INTERPRET GEOMETRIC TOLERANCES PER ANSI Y14.5-2009 UNLESS OTHERWISE SPECIFIED DIMENSIONS ARE IN INCHES



UNLESS OTHERWISE SPECIFIED ALL UNTOLERANCED DIMENSIONS ARE BASIC:
MATERIAL: SEE NOTES
FINISH: SEE NOTES

DESCRIPTION:
Sheet 1

DWG BY: LT

CHK BY:

SIZE: A1

PART NUMBER:

MOD BY:

APR BY:

SCALE: 1:50

SHT 1 OF 1

REV 1