



**THE NORTHWEST
SEAPORT ALLIANCE**
Gateway to Solutions

Show ME Something Cool

I'll show YOU

What do the following items have in common?

- Chicken supplement
- Pumice
- Milk Crate
- Dog Screen
- Zip ties



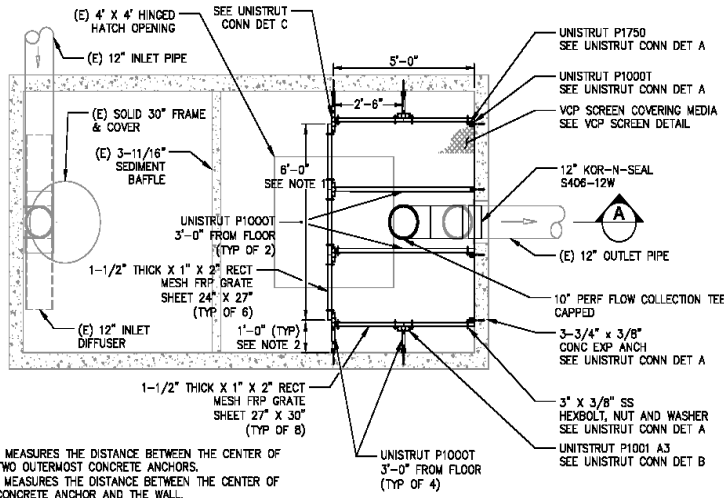
Of course it's stormwater treatment!



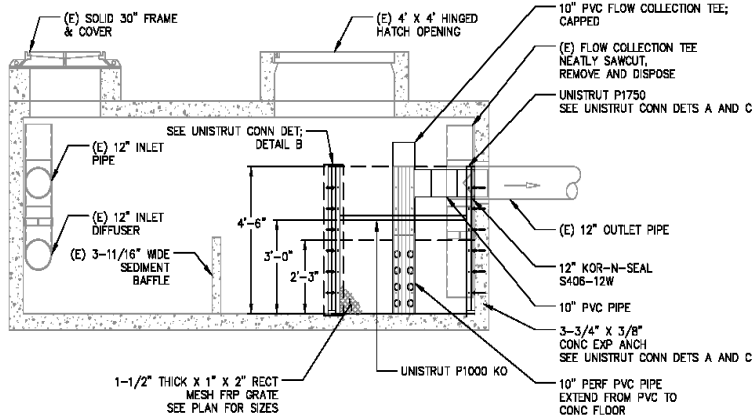
What do the following items have in common?

- Unistrut
- High Load Molded Fiber Grate
- More pet screen

A



- NOTES:
 1. 8'-0" MEASURES THE DISTANCE BETWEEN THE CENTER OF THE TWO OUTERMOST CONCRETE ANCHORS.
 2. 1'-0" MEASURES THE DISTANCE BETWEEN THE CENTER OF THE CONCRETE ANCHOR AND THE WALL.



OIL/WATER SEPARATOR PLAN AND SECTION A-A
 SCALE : 1/2" = 1'-0"

ABBREVIATIONS:

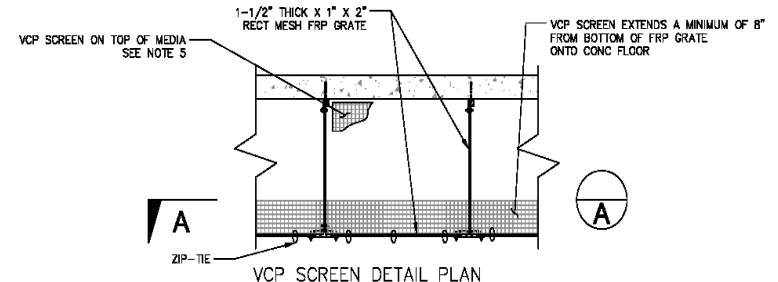
'	FOOT SUPERSCRIPIT	FLG	FLANGE (-D)
"	INCH SUPERSCRIPIT	NIS	NOT TO SCALE
ANCH	ANCHOR	OWS	OIL/WATER SEPARATOR
CONC	CONCRETE	PERF	PERFORAT (-E, -ED, -ES, -ATION)
CONN	CONNECT (-S, -ION)	RECT	RECTANGULAR
CONST	CONSTRUCTION	SCH	SCHEDULE
DET	DETAIL (-S)	TYP	TYPICAL
DIA	DIAMETER	SS	STAINLESS STEEL
EXP	EXPANSION	VCP	VINYL-COATED POLYESTER
FC	FIBERGRATE	VP	VAULT PREPARATION
FRP	FIBER REINFORCED PLASTIC	WQ	WATER QUALITY
		W/	WITH

- GENERAL NOTES:
 1. QUANTITIES AND DIMENSIONS SHOWN HEREON ARE APPROXIMATE. CONTRACTOR IS RESPONSIBLE FOR VERIFYING THESE PARAMETERS PRIOR TO CONSTRUCTION.
 2. VCP SCREEN SHALL BE INSTALLED ON ALL FRP GRATES AS SHOWN ON THE VCP SCREEN DETAIL ON SHEET C1.

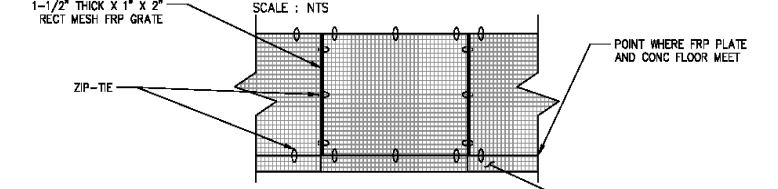


UNISTRUT TIE NOT P1008T
 UNISTRUT P1001 A3 (TYP)

UNISTRUT CONNECTION DETAILS
 SCALE : NTS



VCP SCREEN DETAIL PLAN
 SCALE : NTS



VCP SCREEN DETAIL SECTION A-A
 SCALE : NTS

- MESH SCREEN INSTALLATION NOTES:
 1. VCP MESH SCREEN USED ON FRP PLATES SHALL BE PHIFER PETSSCREEN.
 2. INDIVIDUAL SHEETS OF MESH SCREEN SHALL OVERLAP A MINIMUM OF 8 INCHES.
 3. VCP SCREEN SHALL EXTEND A MINIMUM OF 8 INCHES FROM BOTTOM OF FRP GRATE ONTO CONCRETE FLOOR.
 4. VCP SCREEN SHALL BE SECURED TO THE INSIDE FACE OF FRP GRATE USING ZIP-TIES.
 5. VCP SCREEN SHALL COVER TOP OF MEDIA SUCH THAT THE MEDIA IS CONTAINED WITHIN THE CELL.

Port of Tacoma
 1000 1st Avenue
 Tacoma, WA 98402
 PHONE: (206) 462-1000
 FAX: (206) 462-1001
 WWW: www.portoftacoma.com

APPROVED: _____
 EAST BLAIR TERMINAL 1
 STORMWATER TREATMENT SYSTEM RETROFIT
 OIL/WATER SEPARATOR

CHECKED BY: _____ DATE: _____
 DIRECTOR ENG. DATE: _____ DATE: _____
 PRINTED BY: Andrew Kearney Nov 25, 2015
 PORT ADDRESS: _____

TOWNSHIP: _____ SECTION: _____
 RANGE: _____
 DAT-HIRZ: _____
 PARCEL: _____

DRAWING SCALE: _____
 VERT: _____

DATE: _____
 BY: _____
 MARK: _____ REVISION: _____
 APPR: _____ DATE: _____

C1
 SHEET OF 02
 CONT./CONS: _____
 M. ID: _____
 PHASE: _____

THIS DRAWING IS THE PROPERTY OF THE PORT OF TACOMA AND SHALL NOT BE USED ON OTHER WORK. DISCLOSED, COPIED, IN WHOLE OR IN PART, WITHOUT WRITTEN PERMISSION.

