



Furniture Catalog

as of October 2022



About the Team

Meet our Plaf team! Even during a pandemic, we have grown into a proud team of roughly 30 members, all with different stories. Some of us have international backgrounds, with lots of experience in the field of consultancy, operations, project management and architecture. Most of us, however, did not have the same privilege to obtain a degree and were born in poverty. The Plaf aims to **provide opportunities** to individuals from low income families so they can develop a new set of skills which will hopefully help them **grow out of poverty**. The furniture pieces in this catalogue are all been made by our factory employees; from collecting the waste, sorting, shredding and transforming them into lumber and boards to making them into these **awesome range of furniture** that hopefully will suit your outdoor settings!

About our **Products**

Made in the Philippines

Proud to say that the entire process is done within The Philippines, leaving no trace for unnecessary transport whilst also tackling the issue of plastic waste where it is needed the most.

Durable

Our eco-lumber are very durable, which make them an ideal construction material. Especially in the tropics, our lumber can be exposed without losing their properties which make them suitable for your outdoor projects!

Termite Free

Our products are rot proof, splinter- and termite free, which means no worries about having to do any maintenance over a short period of time!

100% Recyclable

Our products are made 100% out of recycled plastic waste. They are recyclable which means we can shred them and put them back into our recycling process to be turned into our products, if needed, again!





Product Overview

Prices as of June 2022



CONTAINERS

Plaf cube (lumber)	PHP 30 000
Plaf cube (board)	PHP 16 000
Plaf office bin	PHP 12 000
Plaf household bin	PHP 7 500
Plaf drop off bin	PHP 8 000

INDOOR FURNITURE

Conference table	PHP 40 000
Coffee table	PHP 16 000
Office table	PHP 12 000
Pedestal	PHP 7 500
Shelving	PHP 8 000

OUTDOOR FURNITURE

High bar set	PHP 30 500
Bench with planter	PHP 30 000
Stool	PHP 4 000
Outdoor table set #1	PHP 42 000
Outdoor table set #2	PHP 25 000
Picnic table	PHP 41 000
School furniture set	PHP 15 000
Kiosks	From PHP 21 000

Please note that the prices shown are exclusive of VAT & the delivery fee. Lead time for production is 4 weeks upon settling 50% of the total payment. Feel free to ask for more information via development@theplaf.com.

01 plaf container

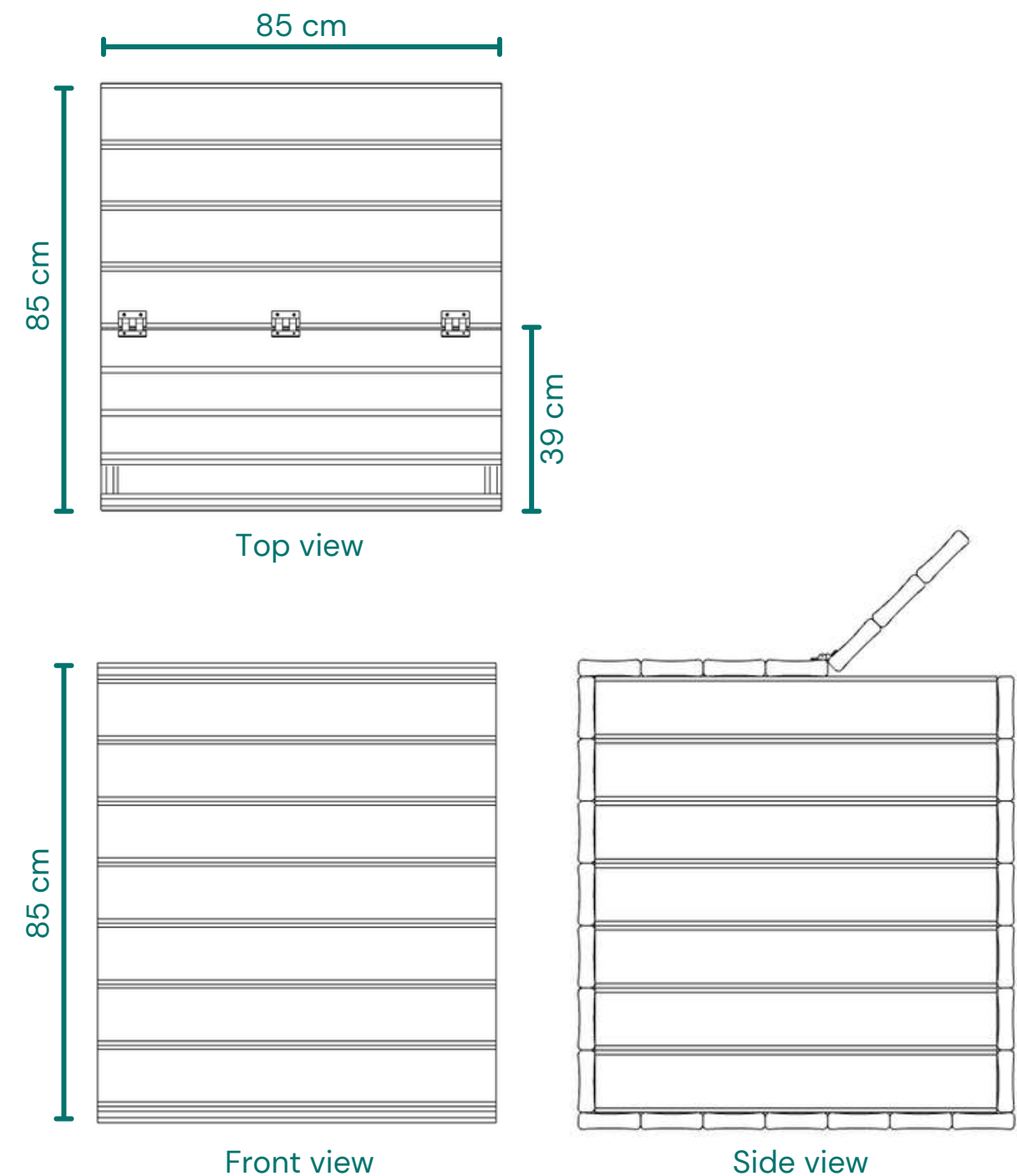
Plaf Cube (original)

Inclusions	Plaf Cube with two operable lids Branded Signage
Weight	160 kg
Volume of Plastic Waste	153 kg recycled plastic waste
Dimensions (L x W x H)	85 cm x 85 cm x 85 cm
Materials	Recycled Plastic lumber Metal hinges & sintra boards



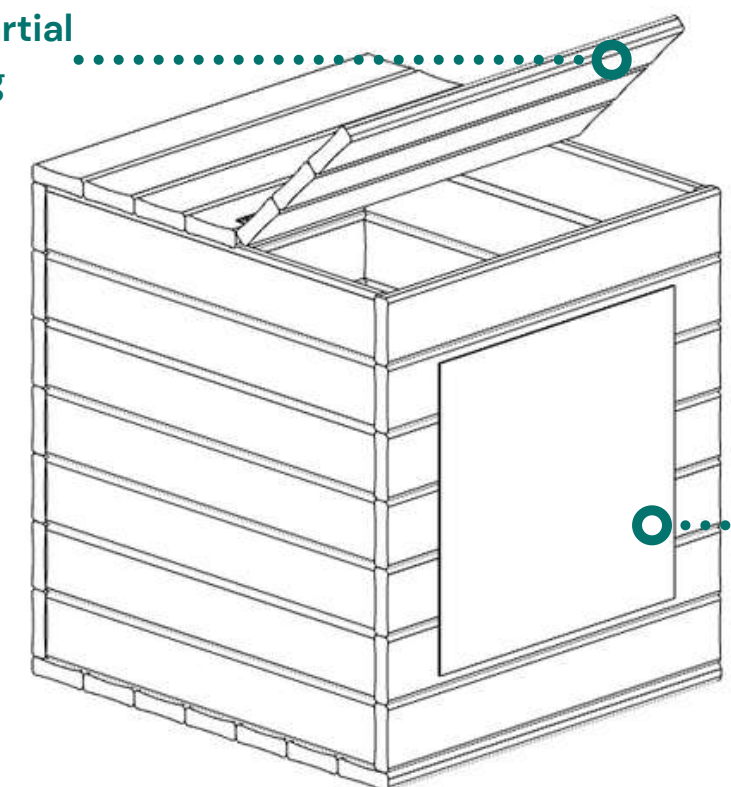
Plaf Cube - original

2021's bestseller, the plaf cube has been produced for various clients and has been optimized to become your ideal office bin to collect more plastic waste. It is very robust, making them suitable for both indoor as well as outdoor settings. They are entirely made from our planks, so you can showcase how the plastic that is being collected is turned into these planks. It has a practical openable two-fold lid on top as well as a front lid to take out the volume of collected plastic. They currently come in two colors, light and anthracite gray. The bin is quite heavy which makes them very theft proof!

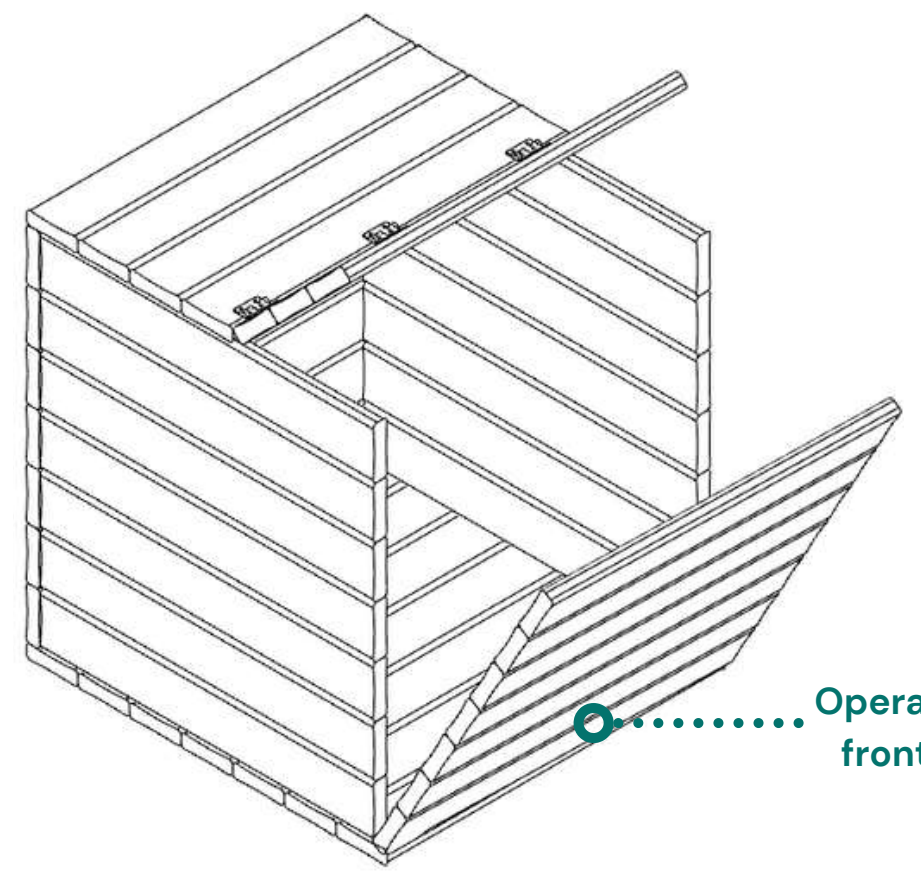




Full and partial lid opening



Company Brand Signage



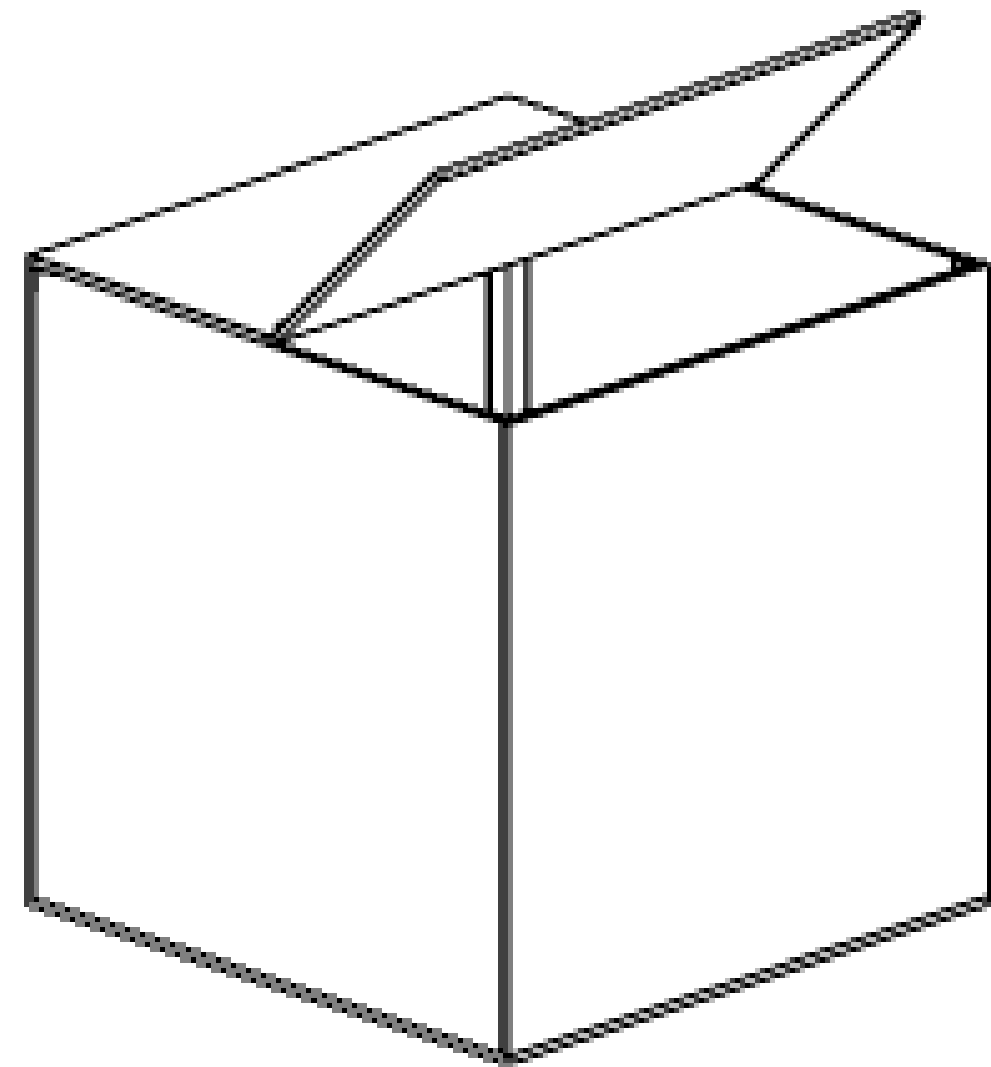
Operable front lid



Php 16 000

Plaf Cube

Inclusions	Plaf Cube with two operable lids Brand Signage
Weight	160 kg
Volume of Plastic Waste	150 kg recycled plastic waste
Dimensions (L x W x H)	120 cm x 120 cm x 120 cm
Materials	Recycled Plastic eco-boards Metal hinges & sintra boards





Operable
front and
top lid



Company
Brand
Signage

03 plaf container

Php 12 000

Plaf office bin

Inclusions Plaf office bin with one operable Lid, brand signage and side handles for transport

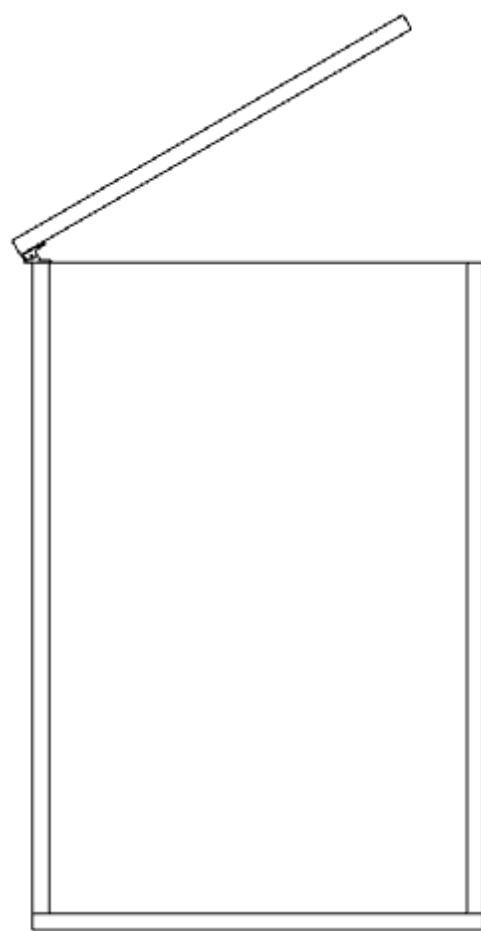
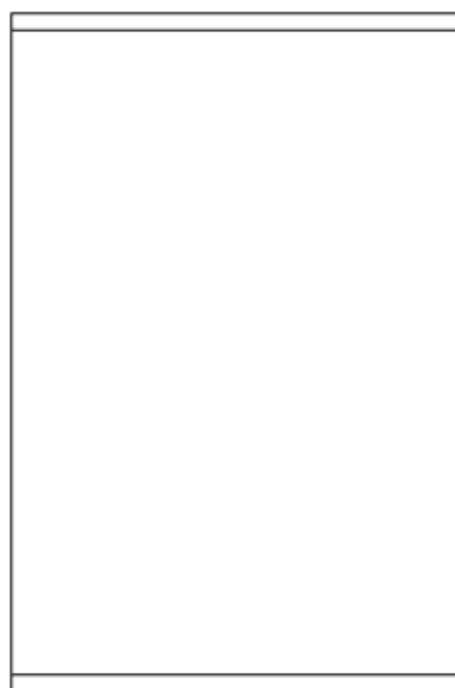
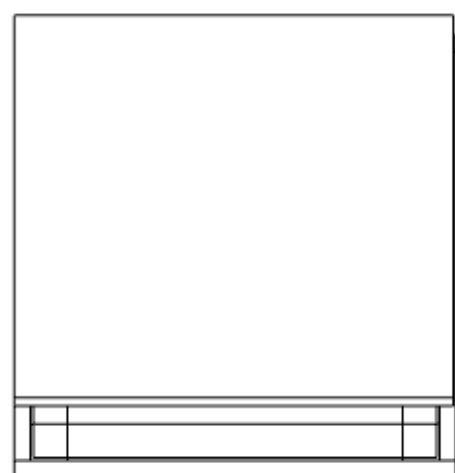
Weight 50 kg

Volume of Plastic Waste 50 kg recycled plastic waste

Dimensions (L x W x H) 60 cm x 60 cm x 90 cm

Materials Recycled Plastic boards, Metal hinges & sintra board



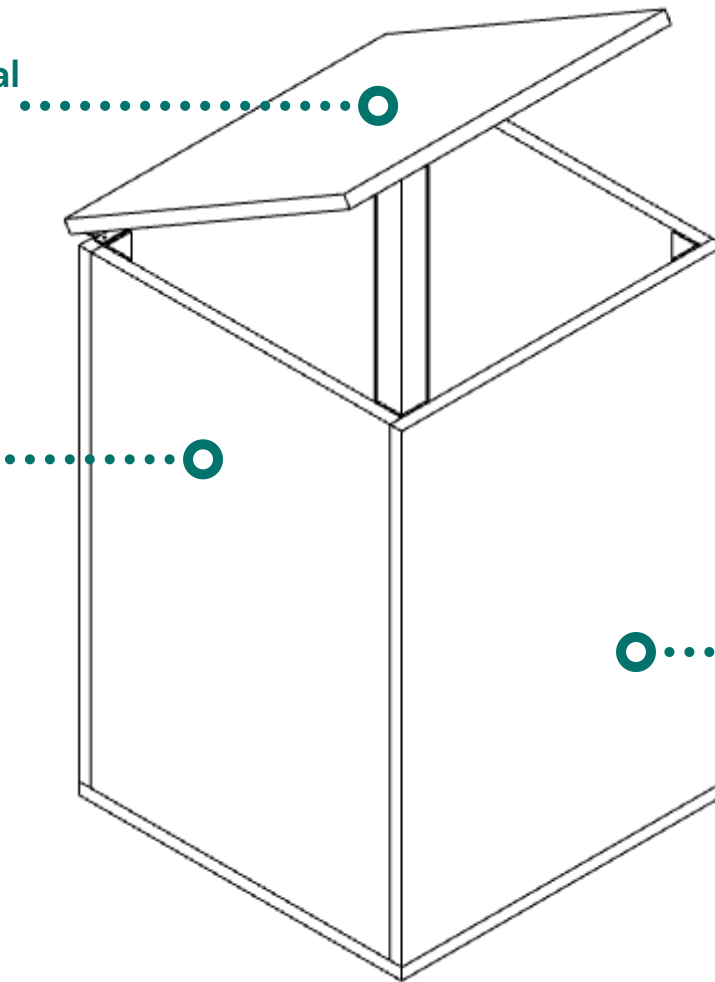


Plaf Office bin

Our newest Plaf bin is made from eco boards and has been developed based on the many inquiries over the past months. The size of this bin fits well as a single or even as a trio assemble in your office pantry! Made from our eco-boards, each bin is unique and shows a great variety of colors, you can even recognize some of the brands or QR coding since it is made 100% with plastic waste, particularly sachet.



Full and partial
lid opening



Side handles
for transport

Company
Brand
Signage

Plaf household bin

Inclusions	Plaf household bin with one operable Lid
Weight	21 kg
Volume of Plastic Waste	21 kg recycled plastic waste
Dimensions (L x W x H)	32 cm x 32 cm x 80 cm
Materials	Recycled Plastic boards Metal hinges



05 plaf container

Plaf drop-off bin

Inclusions Plaf Cube with top and front operable Lids
Brand Signage

Weight 21 kg

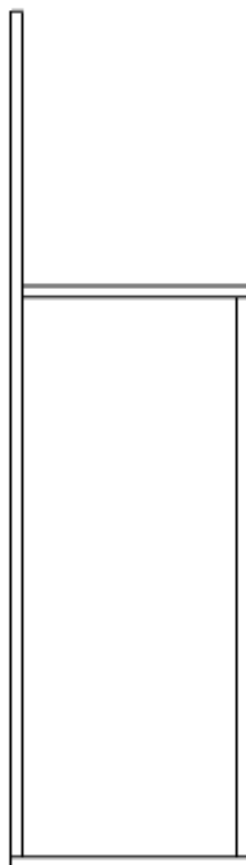
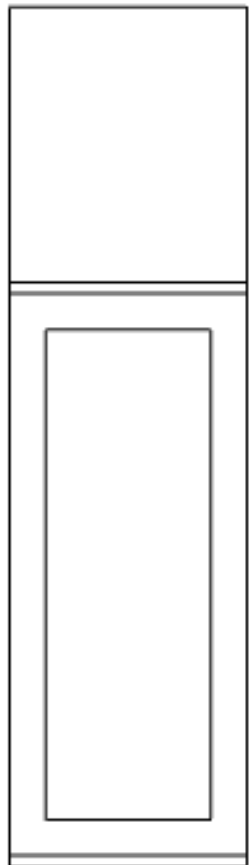
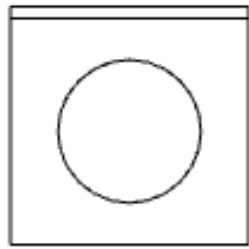
Volume of Plastic Waste 21 kg recycled plastic waste

Dimensions (L x W x H) 32 cm x 32 cm x 80 cm

Materials Recycled Plastic lumber
Metal hinges

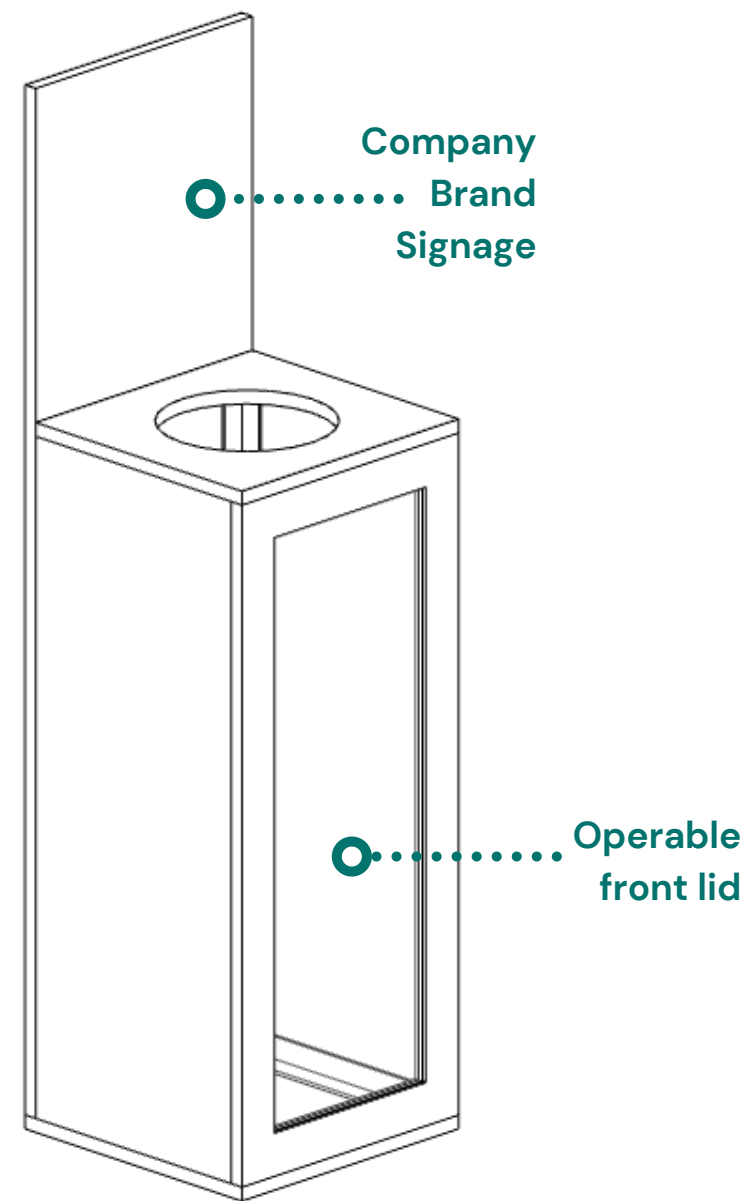
Php 8 000





Plaf drop-off bin

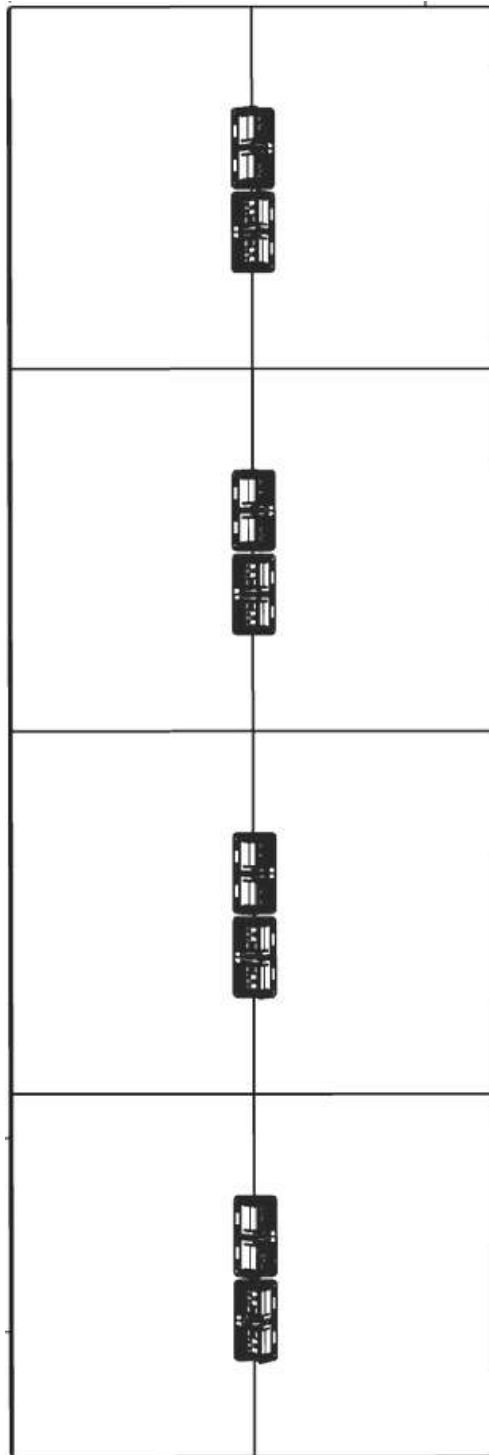
This bin comes in a smaller size, 30x30x80 to suit the needs of our clients that wish to place this bin in their shops. It has a backdrop to place more information on the collection program as well as an acrylic front to showcase how much plastic waste has been collected over the weeks. This bin, made with our eco-boards, is ideal to showcase how plastic waste can be turned into useful, new products !



Conference table

Inclusions	1 unit with 4 modular tables
Weight	225 kgs
Volume of Plastic Waste	219 kgs recycled plastic waste
Dimensions (L x W x H)	420 cm x 140 cm x 75 cm
Materials	Eco-boards and steel reinforcements with acrylic sheet top and pop-up outlets





Top view

Plaf Conference Table

The Plaf Conference table is divided in 4 individual modules that connect together and transform into a 12-seater table with eight pop-up convenience outlets. It is made with around 200 kilos of The Plaf's eco-boards reinforced with steel bars and is connected using bolts and topped with a clear acrylic sheet.

02 plaf indoor furniture

Coffee table

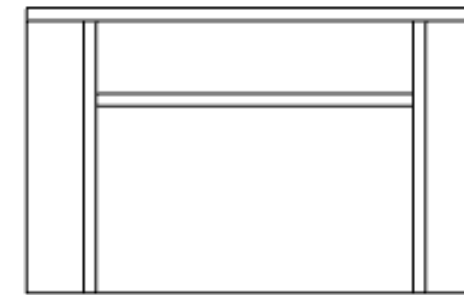
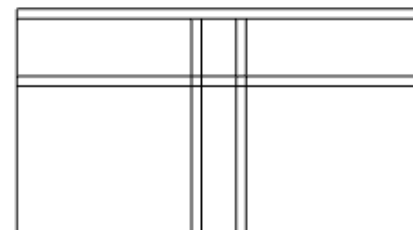
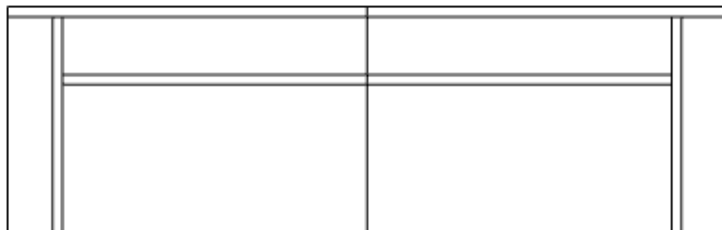
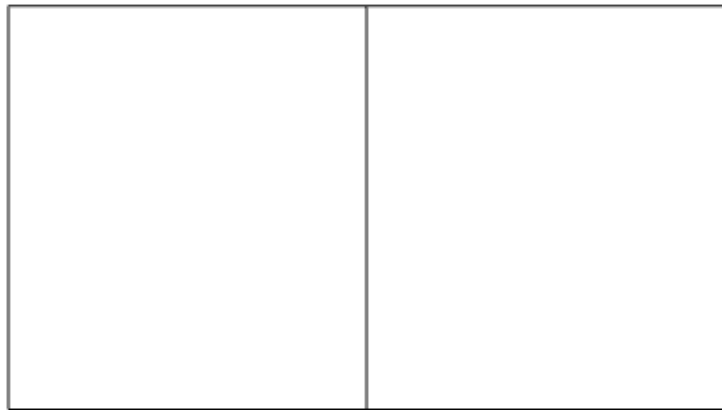
Inclusions	1 piece Coffee table
Weight	56.25 kgs
Volume of Plastic Waste	56.25 kgs recycled plastic waste
Dimensions (L x W x H)	120 cm x 60 cm x 50 cm
Materials	Eco-boards

Php 16 000



Plaf Coffee Table

The Plaf Conference table is made from 22 MM eco-boards reinforced with nothing but itself, it has a puzzle-like design using box joint design. In the plans below, our client preferred a matching set of a coffee table with an end table for the corner where the two couches meet.



03 plaf indoor furniture

Office table

Inclusions

1 unit office table with 2 modules

Weight

80 kgs

Volume of Plastic Waste

46 kgs recycled plastic waste

Dimensions (L x W x H)

240 cm x 110 cm x 75 cm

Materials

Eco-boards with steel frame and box grommets

Php 12 000



03 plaf indoor furniture

Pedestal

Inclusions	1 unit shelving
Weight	23 kg
Volume of Plastic Waste	20 kg recycled plastic waste
Dimensions (L x W x H)	60 cm x 50 cm x 90 cm
Materials	Eco-boards with solid wood legs

Php 7 500



03 plaf indoor furniture

Shelving

Customized sizes

Inclusions	1 unit modular shelving
Weight	9 kgs
Volume of Plastic Waste	9 kgs recycled plastic waste
Dimensions (L x W x H)	60 cm x 30 cm x 60 cm (varies)
Materials	Eco-boards

Starts at
Php 8 000





Php 30 500

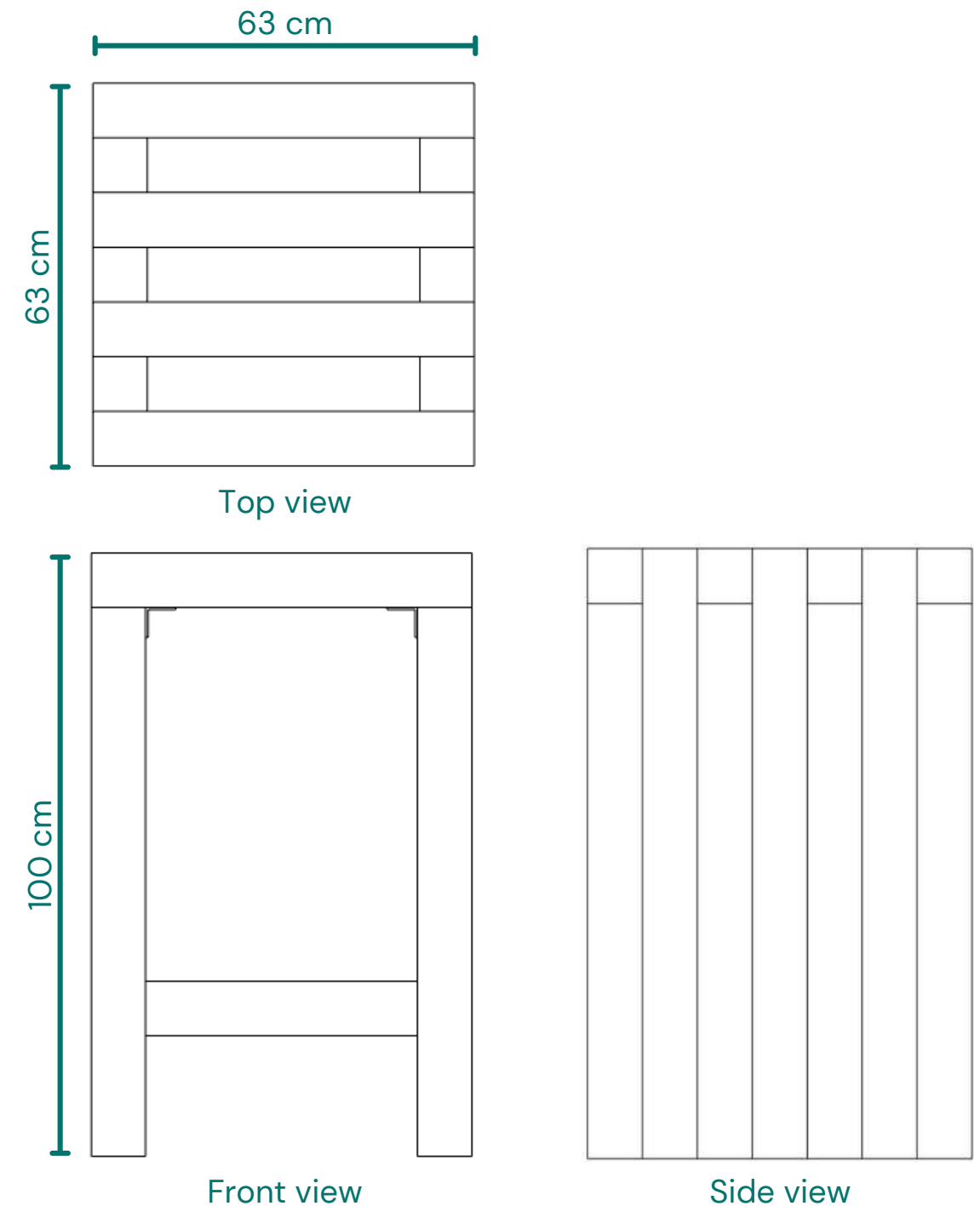
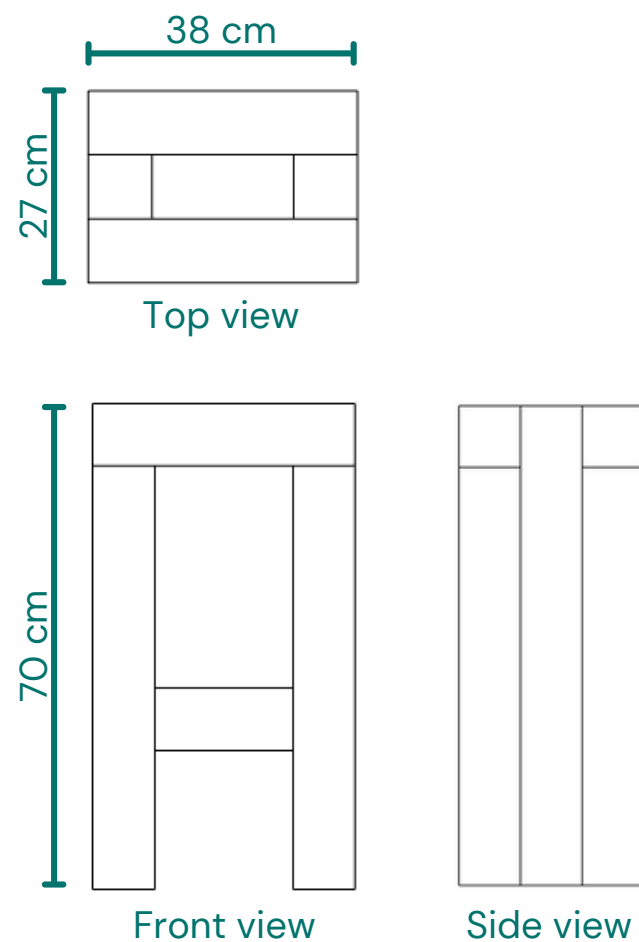
01 plaf furniture

High Bar Set

Inclusions	1 x High Table 2 x Bar Stools
Weight	210 kg
Volume of Plastic Waste	205 kg recycled plastic waste
Dimensions (L x W x H)	63 cm x 63 cm x 100 cm
Materials	Recycled Plastic lumber

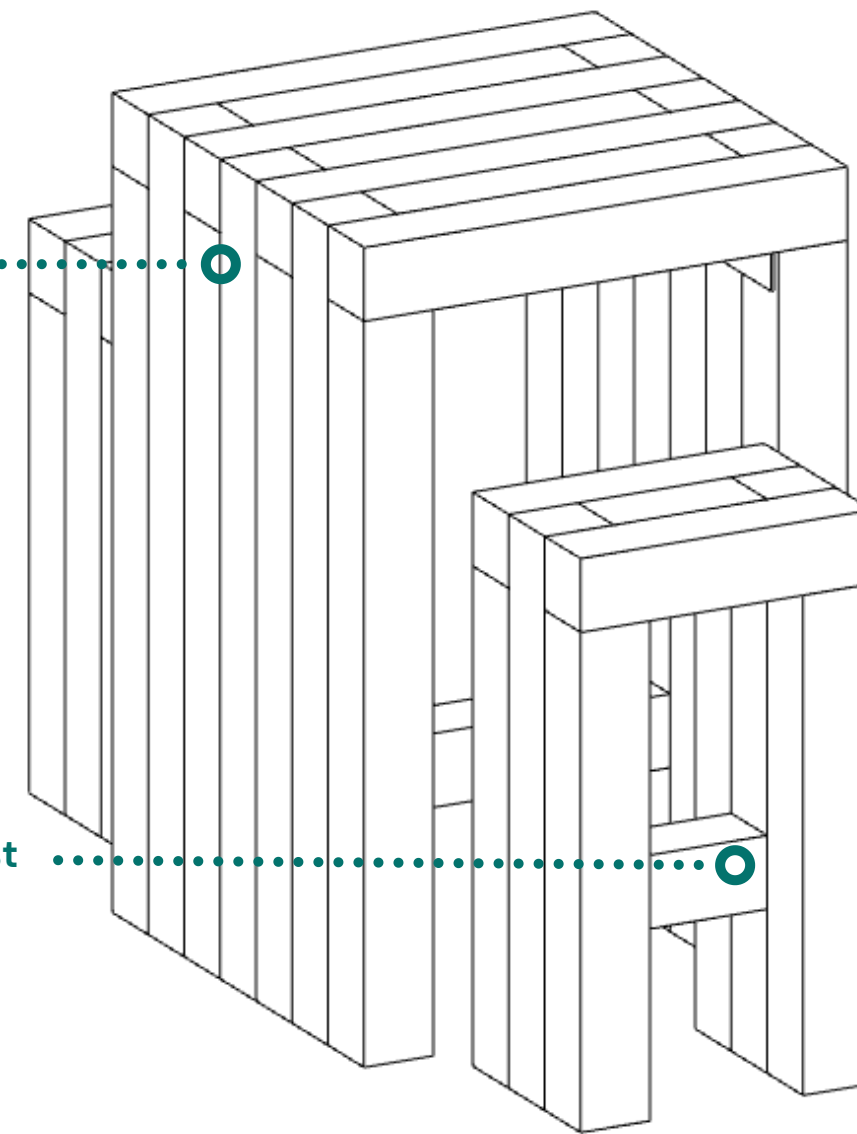
High Bar Set

This high bar set is good for two people to enjoy a good sundowner! It is entirely made from our posts, making it quite sturdy and robust, so theftproof! They come in two colors, light or anthracite gray. this bar is ideal for outdoor settings, being made with our lumber, they are waterproof, termite and rot free, no risks of splinters and above all, very low maintenance. Instead of the need for repair, you can spend more time with your family and enjoy your garden!





Eco-posts



Foot rest

02 plaf furniture

Php 30 000

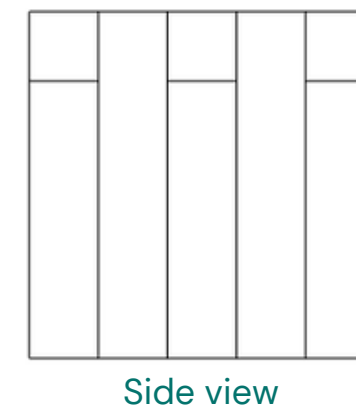
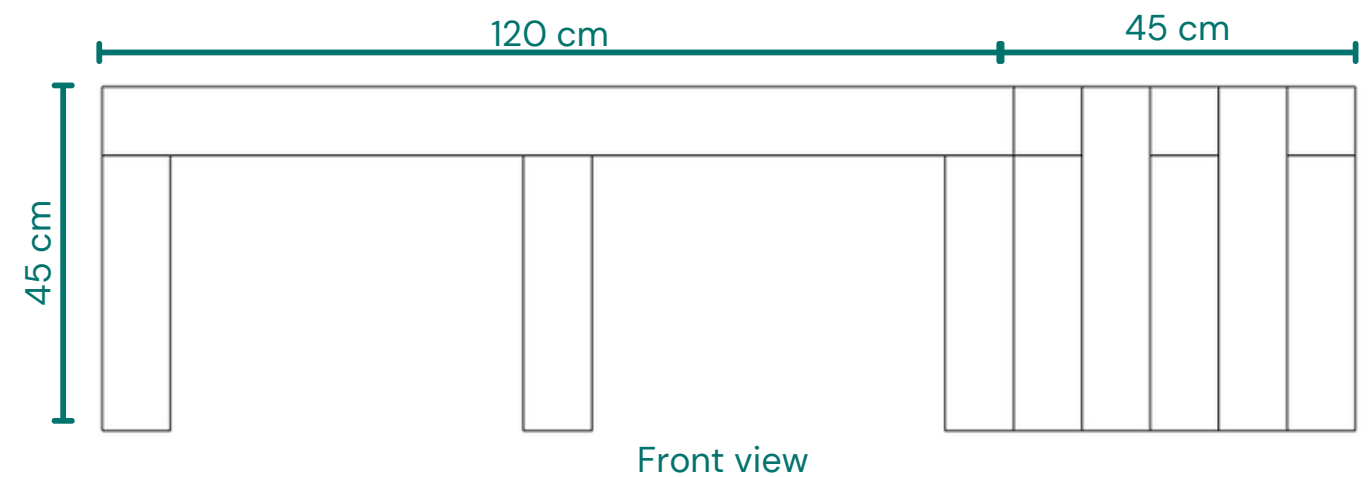
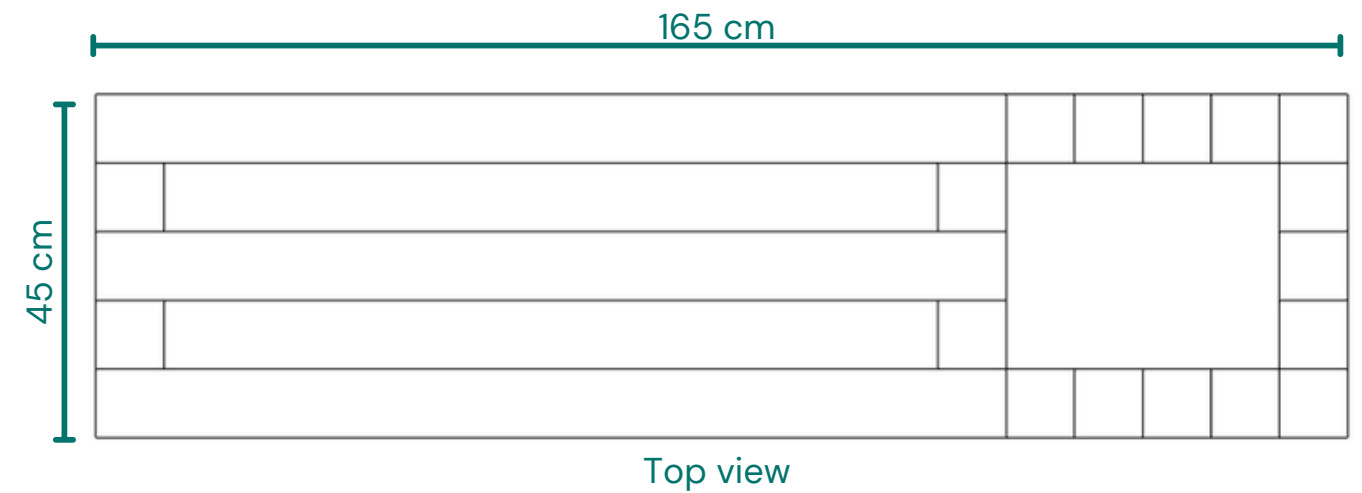
Outdoor Bench

Inclusions	Outdoor bench integrated Planter
Weight	210 kg
Volume of Plastic Waste	205 kg recycled plastic waste
Dimensions (L x W x H)	165 cm x 45 cm x 45 cm
Materials	Recycled Plastic lumber Angle bars

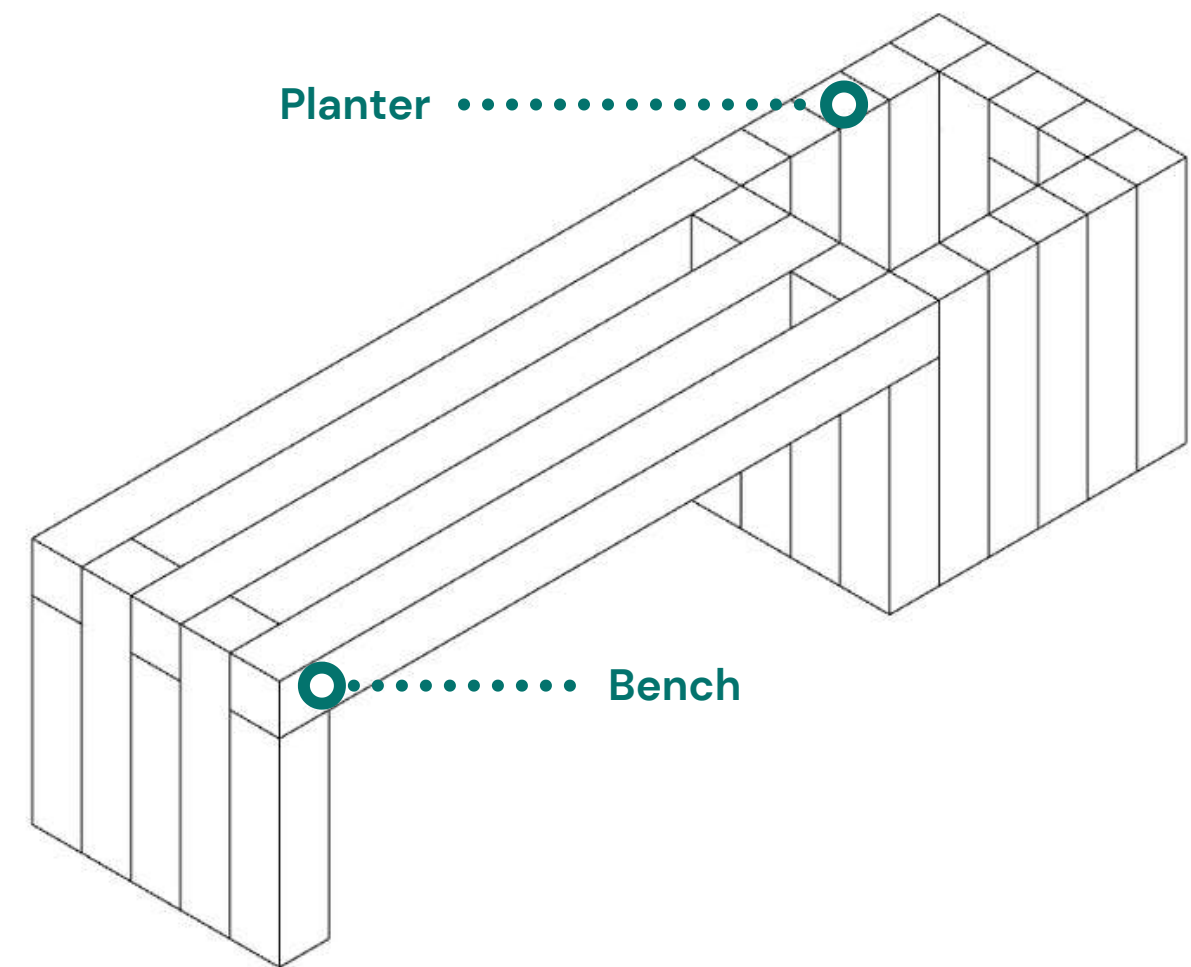


Outdoor Bench

A classic outdoor furniture that can withstand extreme temperatures and weathers. This 100% recycled outdoor bench is perfect for parks, resorts, playgrounds, and other recreational facilities. The Plaf Outdoor Bench can comfortably sit 3 people at a time. It also has a built-in planter to accommodate small to medium sized vegetation for aesthetic purposes.



Side view



Planter

..... Bench

Php 4 000

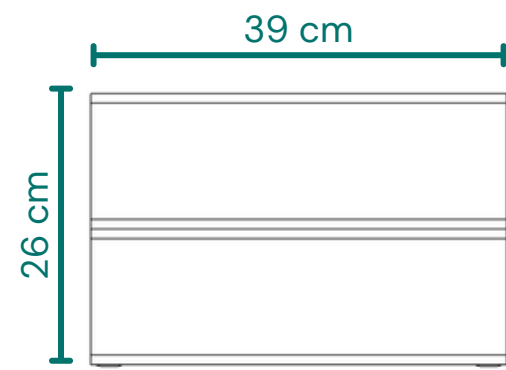
03 plaf furniture

Plaf Stool

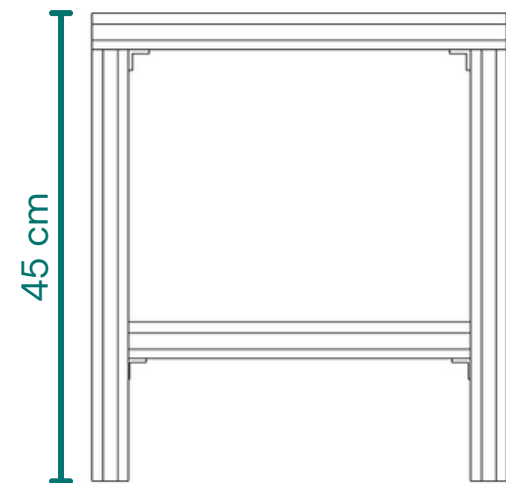
Inclusions	Stool
Weight	18 kg
Volume of Plastic Waste	17 kg plastic waste
Dimensions (L x W x H)	29 cm x 36 cm x 45 cm
Materials	Recycled Plastic lumber Angle bars

Stool 1

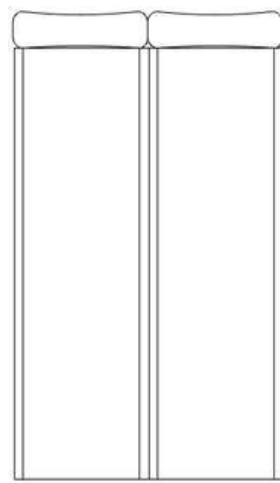
This stool might be just what you were looking for! It can come in handy as school furniture or any outdoor setting to enjoy a bit of rest while your kids are playing in the playground. It is made from our eco lumber, sits comfortably and come in 2 different designs. You may also choose the colors ranging from two different grays to beige.



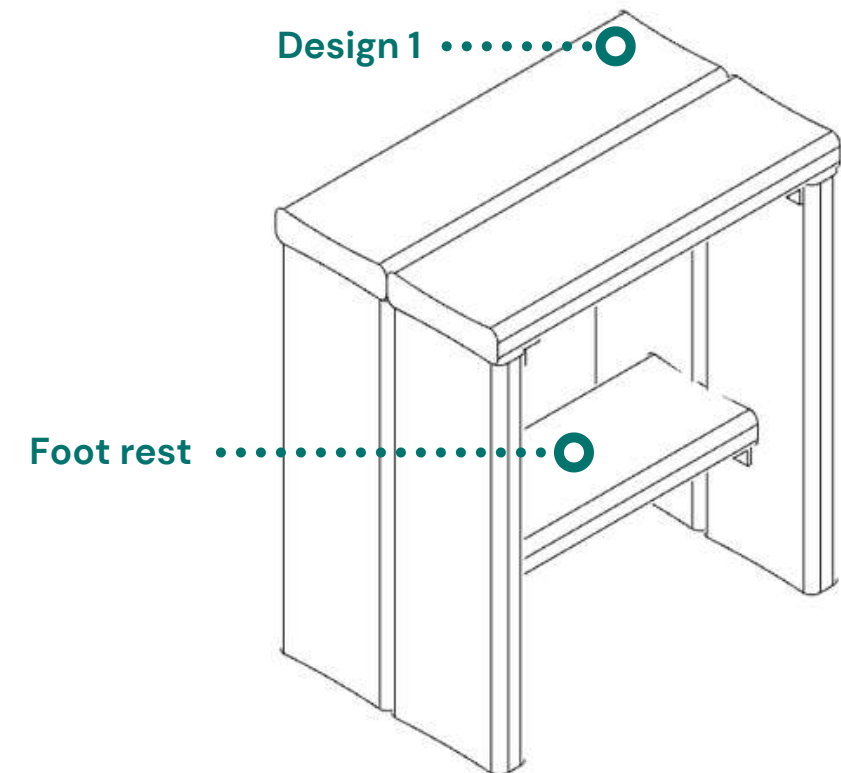
Top view



Front view

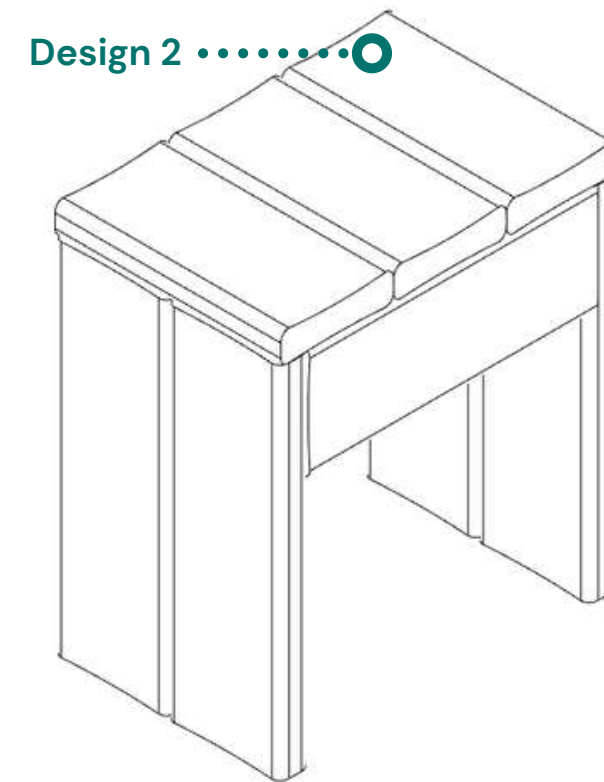
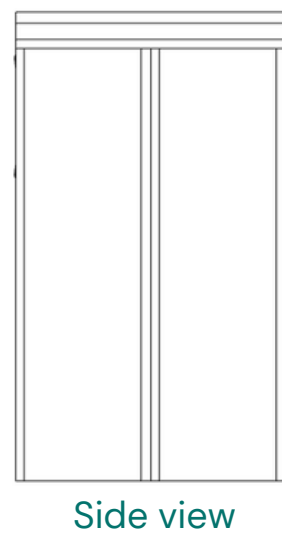
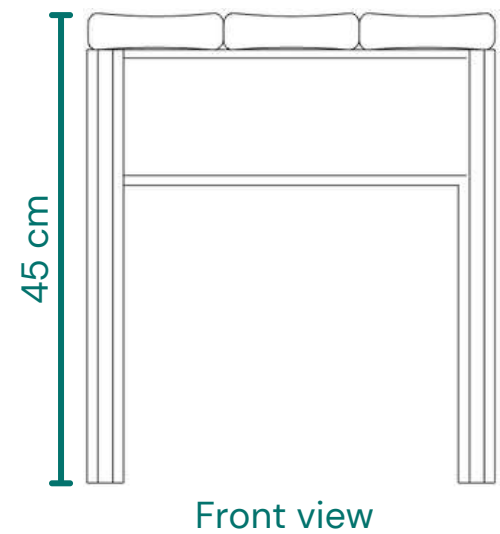
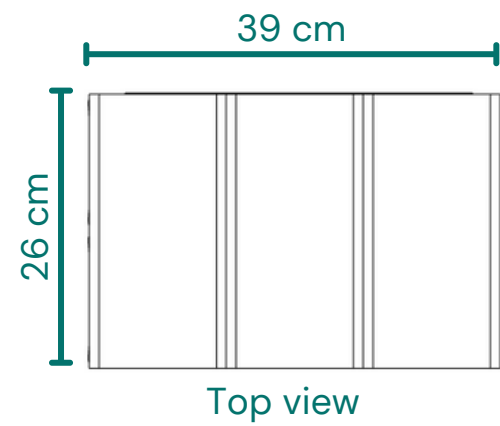


Side view



Stool 2

This second design sits just as comfortably as the previous one, but since we designed and build both of them, we just could not choose. Why not have a set of these two different designs? We will let you choose which one is your favorite!



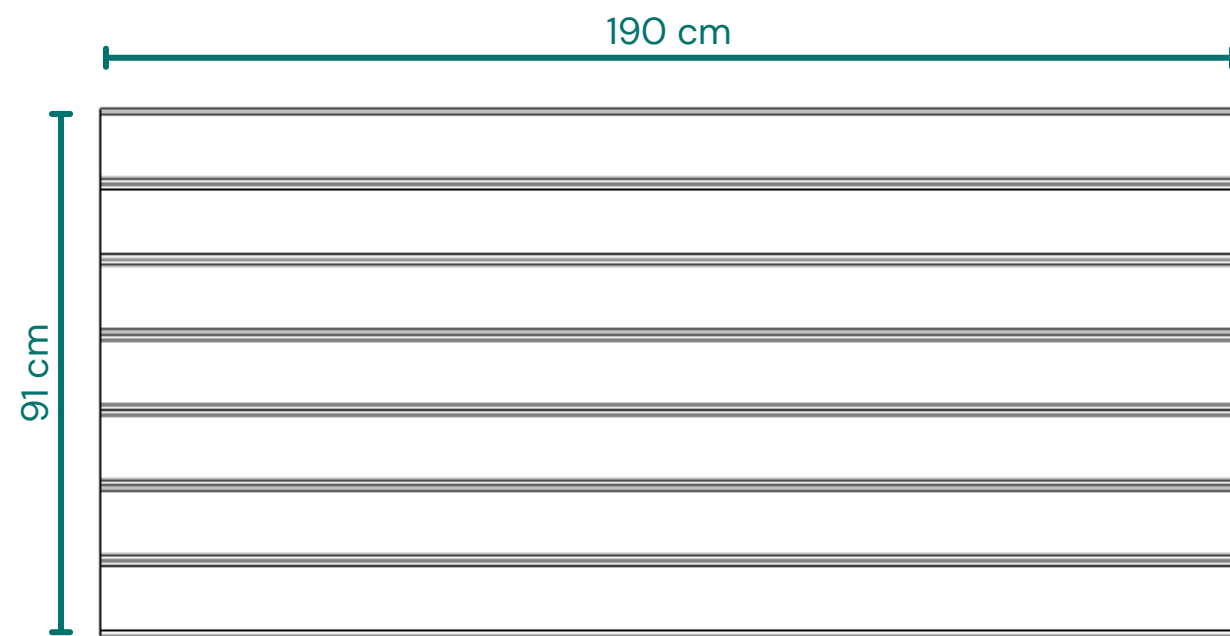
04 plaf furniture

Php 42 000

Outdoor Dining Set

Inclusions	1 x Outdoor Picnic Table 2 x Outdoor Benches
Weight	140 kg
Volume of Plastic Waste	110 kg recycled plastic waste
Dimensions (L x W x H)	190 cm x 91 cm x 71 cm
Materials	Recycled Plastic lumber Metal legs

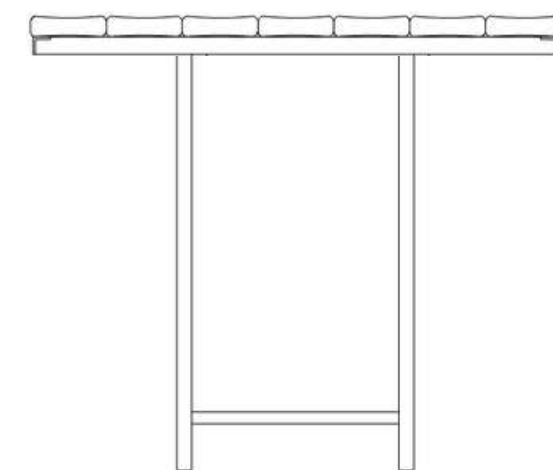




Top view



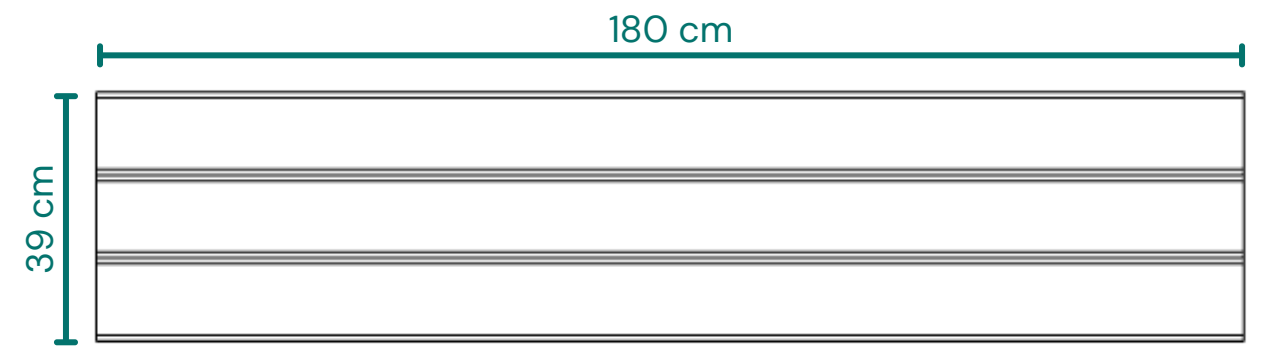
Front view



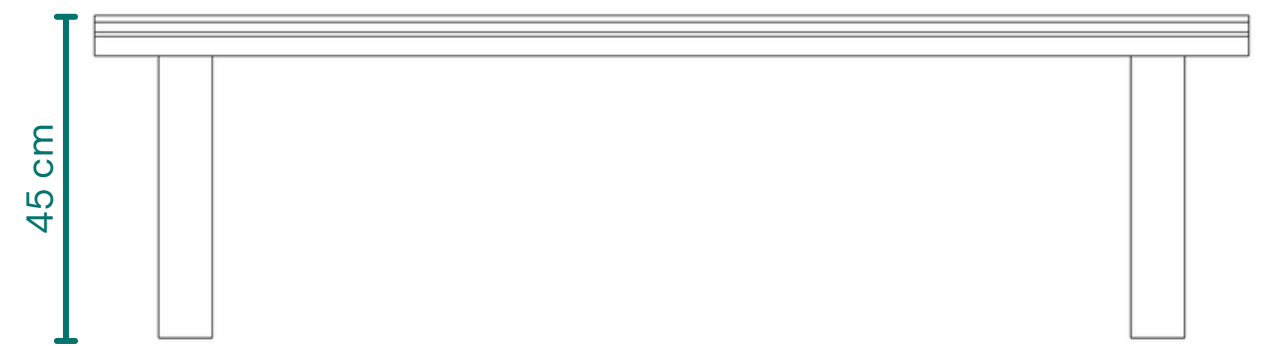
Side view

Outdoor Dining Set

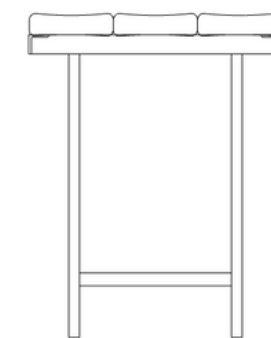
Made with our eco lumber, this 6-seater outdoor dining set is an ideal addition to your foyer or garden. The industrial aesthetic of this dining set, with planks as a table top and metal framing for the legs, will blend nicely with any outdoor setting. The durable nature of the eco lumber will also spare you from worries of degradation under natural conditions.



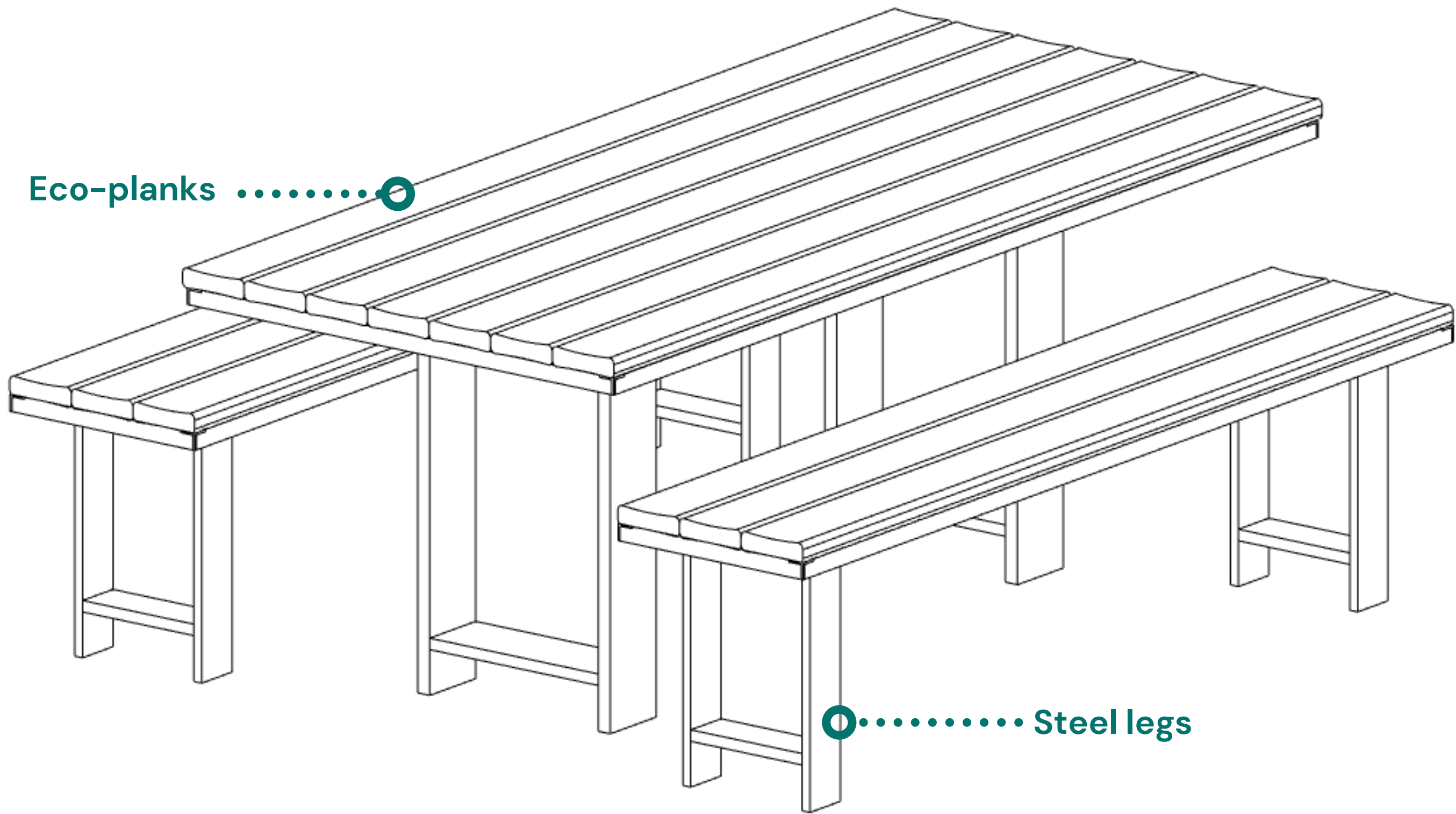
Top view



Front view



Side view



Eco-planks○

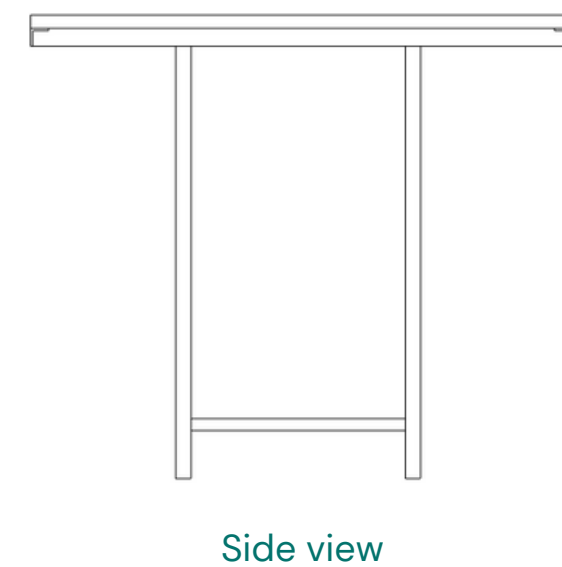
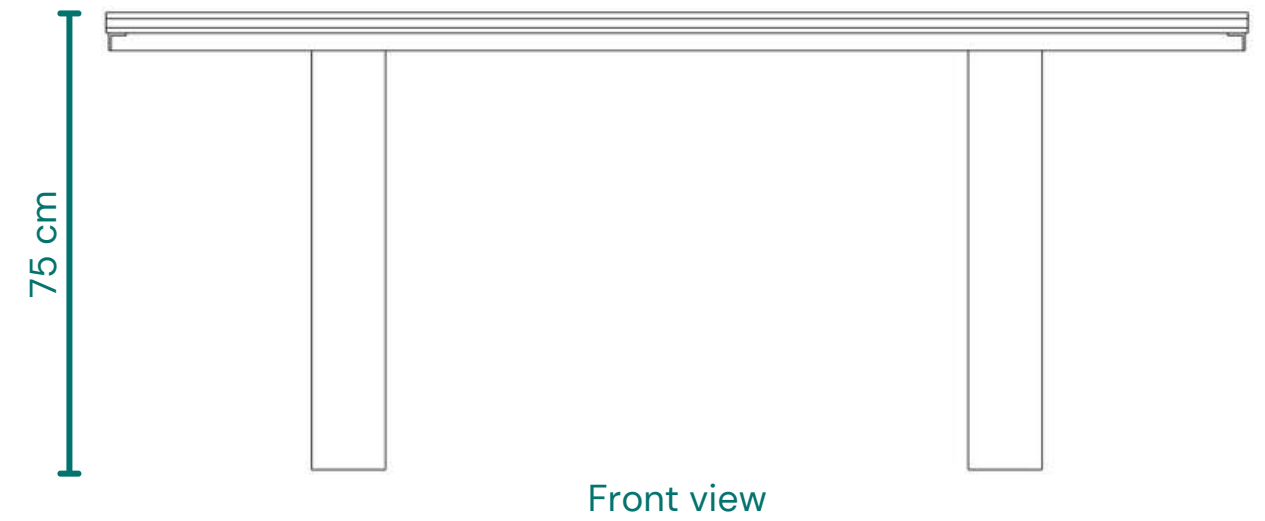
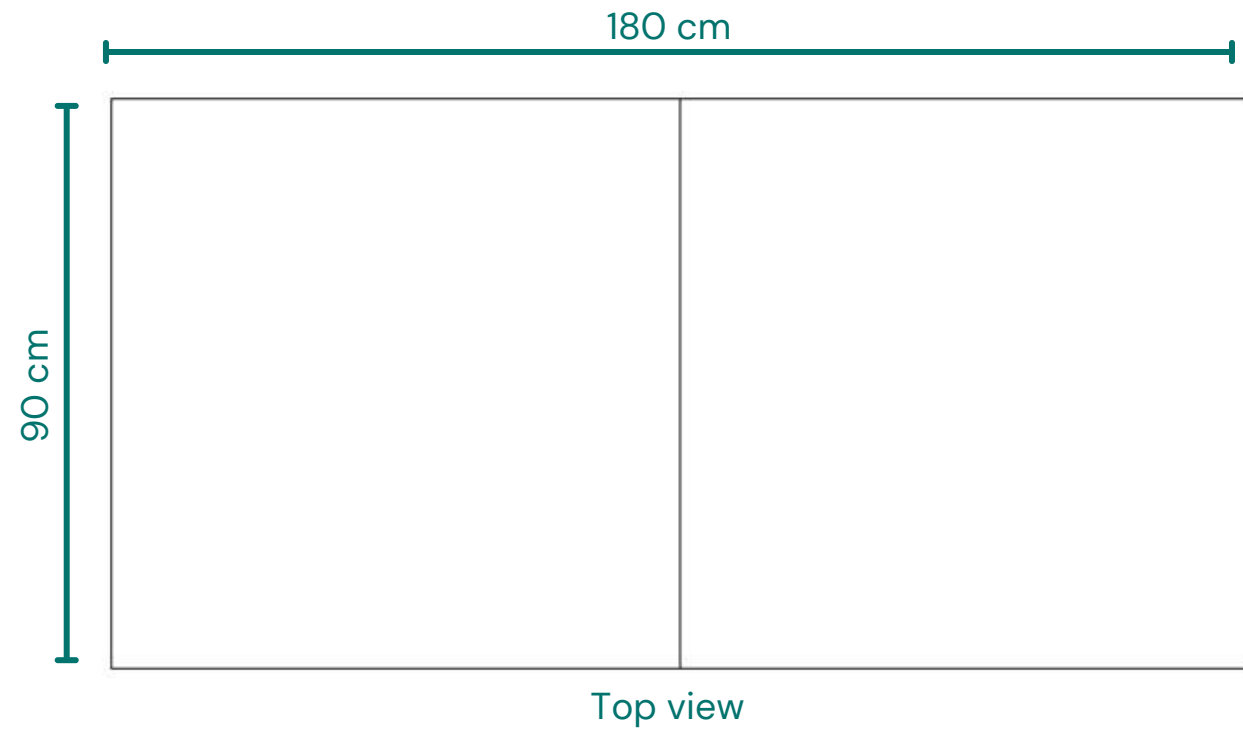
○..... Steel legs

Php 25 000

05 plaf furniture

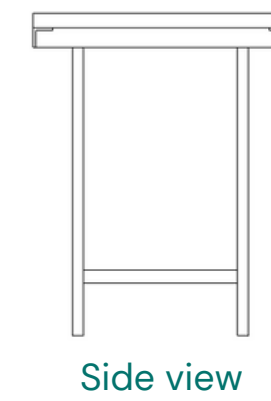
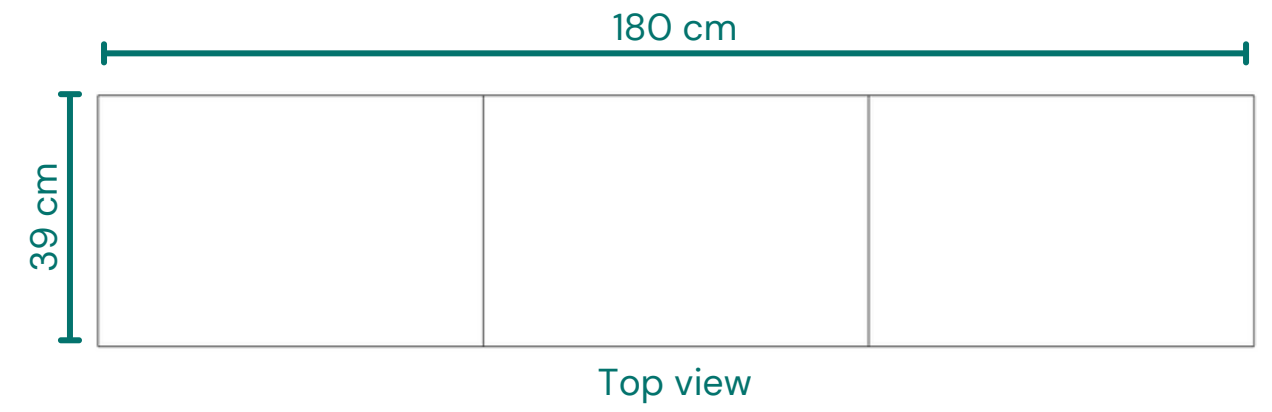
Indoor Dining Set

Inclusions	1 x Indoor Table 2 x Indoor Bench
Weight	70 kg
Volume of Plastic Waste	40 kg recycled plastic waste
Dimensions (L x W x H)	190 cm x 91 cm x 71 cm
Materials	Recycled Plastic eco-boards Metal legs



Indoor Dining Set

The design is based off the previous set, though this time made with our eco-boards as table top cover. With the sturdy metal legs, this dining set is both suitable for your indoor as well as outdoor settings! The top cover is made from plastic waste, and you can clearly see and recognize the different types of waste that have been transformed into this new product! Upon request, we can incorporate a top coating to provide additional protection. An additional fee is charged.



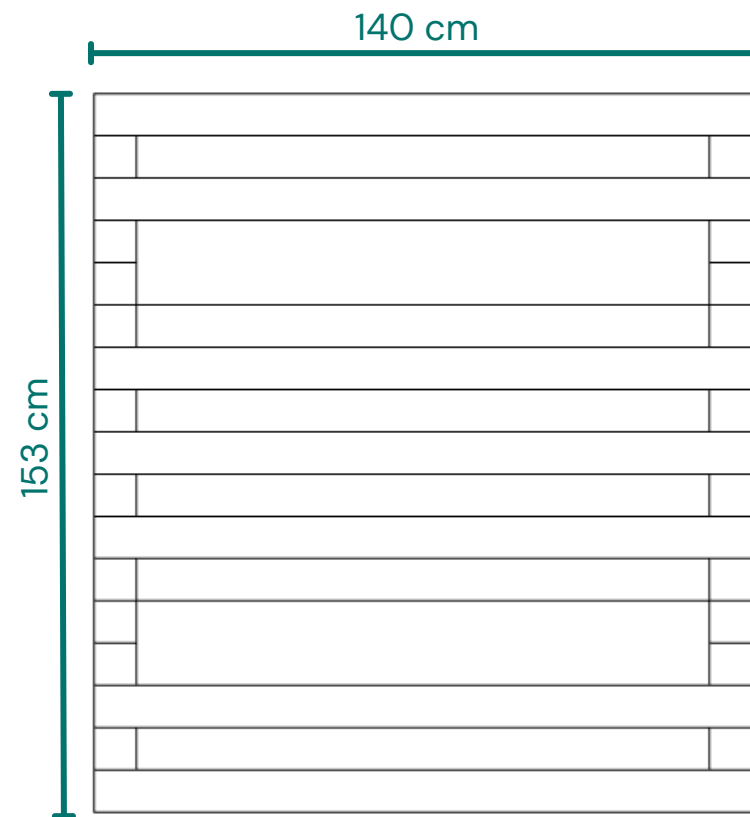
06 plaf furniture

Php 41 000

Picnic Table

Inclusions	Picnic Table
Weight	280 kg
Volume of Plastic Waste	267 kg recycled plastic waste
Dimensions (L x W x H)	140 cm x 153 cm x 75 cm
Materials	Recycled Plastic lumber

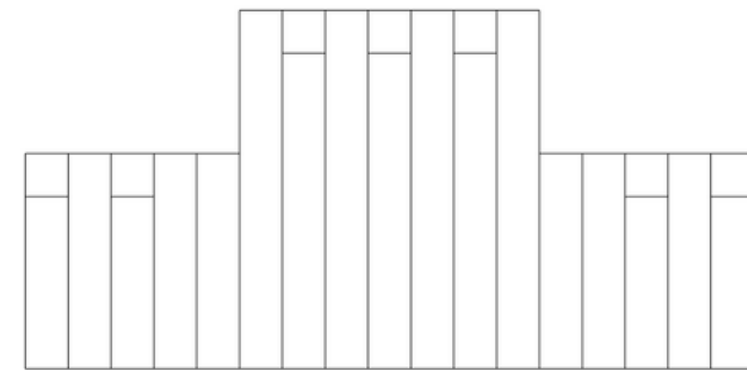




Top view



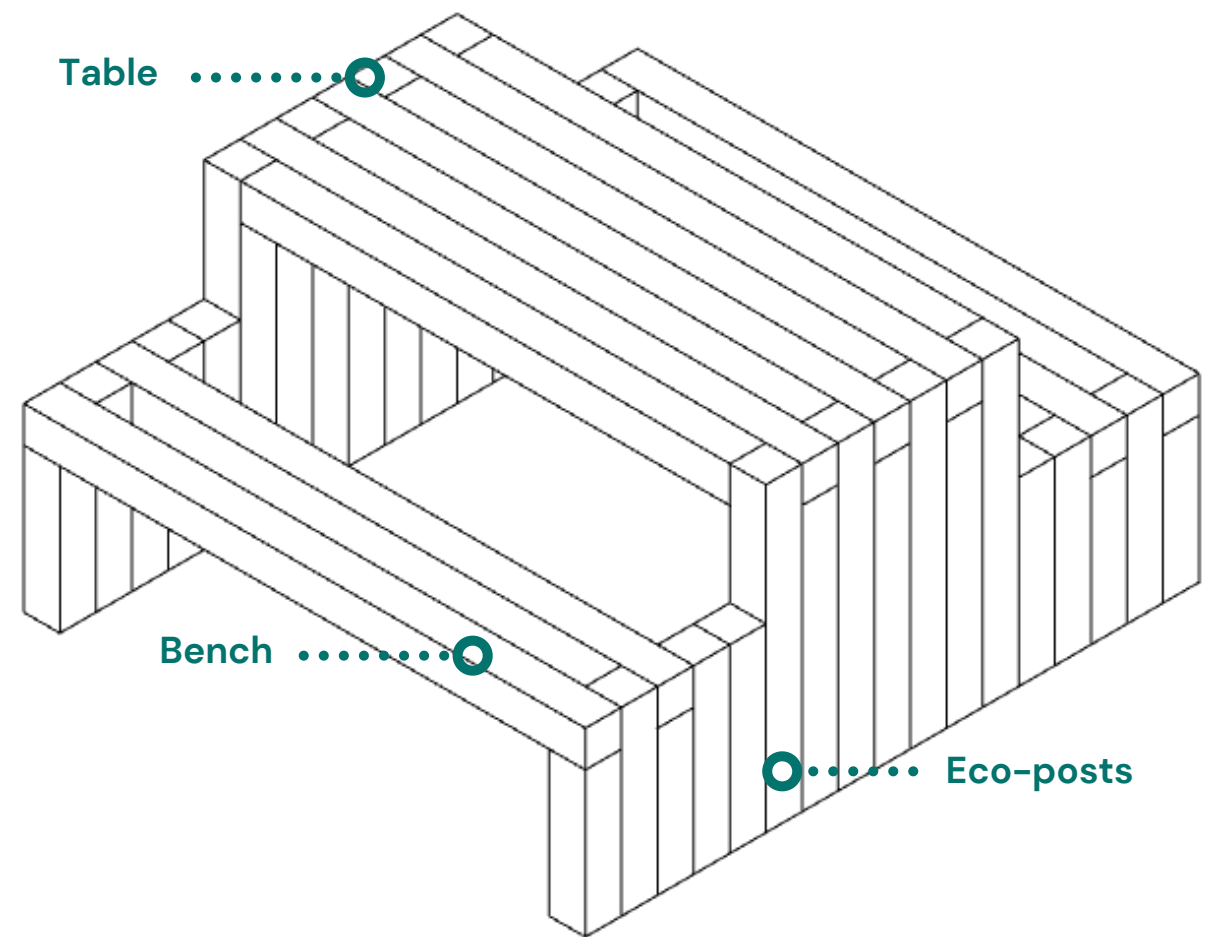
Front view



Side view

Picnic Table

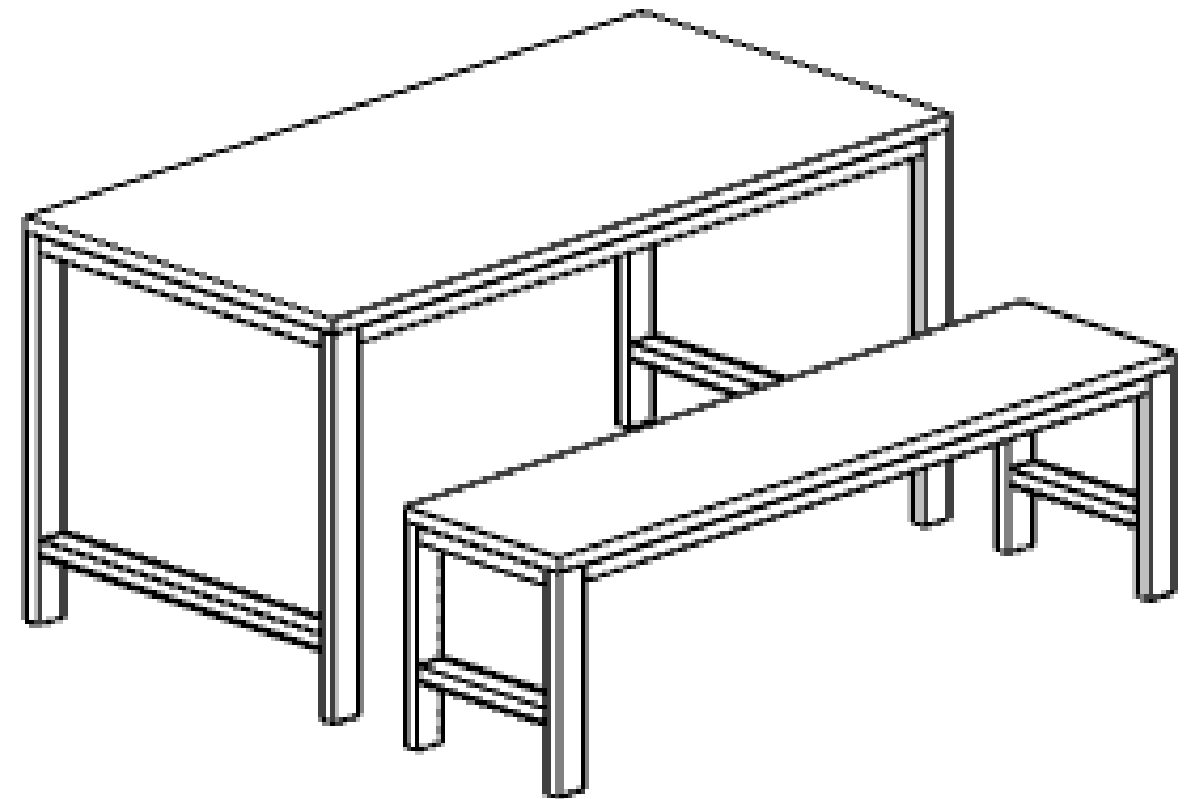
This picnic table will last for a very long time. Made from our eco-lumber, it is a solid, sturdy and very robust picnic table to seat 4 people. It can be used for playground areas, city halls, you name it. It is easy to climb into and provides a great way to have a chat with one other. They currently come in two colors, light and anthracite grey. Upon request, Beige is also available, no additional fee is charged.

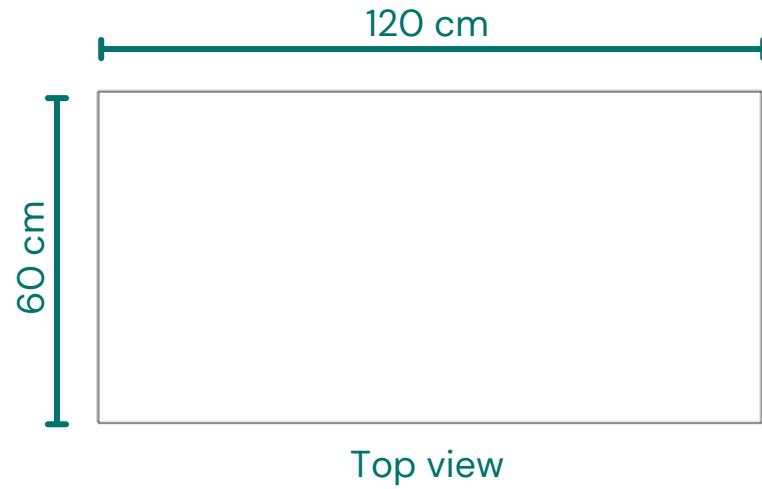


Php 15 000

School Furniture set

Inclusions	1 table 1 bench
Weight	42 kg
Volume of Plastic Waste	19 kg recycled plastic waste
Dimensions (L x W x H)	120 cm x 60 cm x 59 cm 120 cm x 30 cm x 35 cm
Materials	Recycled Plastic eco-boards Metal legs

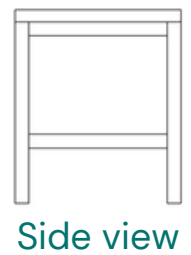
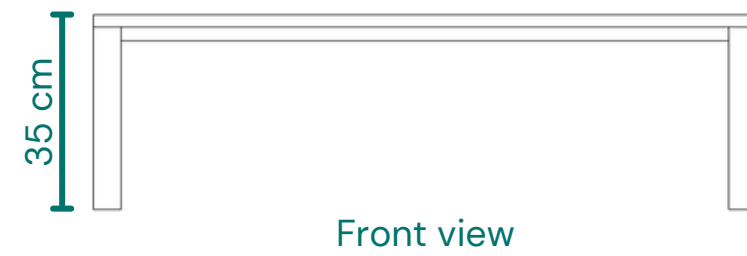
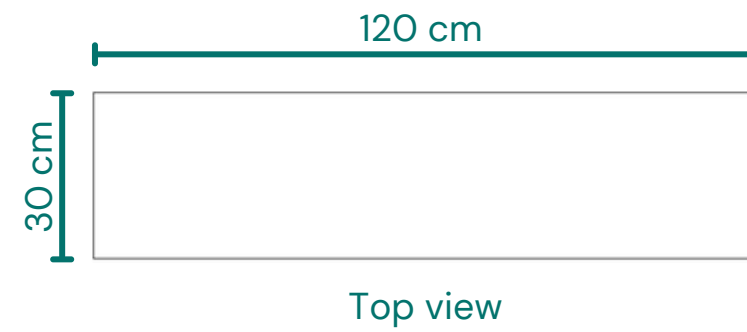




School Table

School Furniture Set

This set is suitable for children aged 6 to 14 years old and comes as a set. A table and a bench which can seat 2 to 3 kids. While learning about how to protect our planet, they get to also see how waste can be transformed into something useful. This set of school furniture can spark ideas to our future generation to get even more creative on how to properly take care of our environment!



School Bench

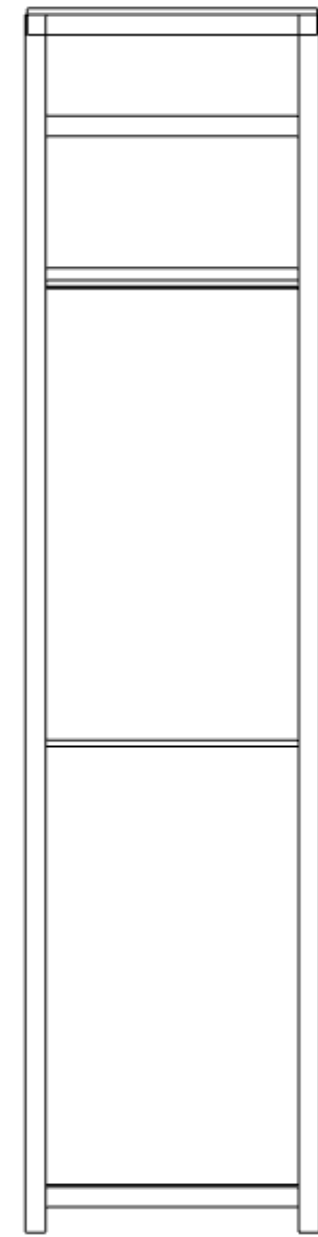
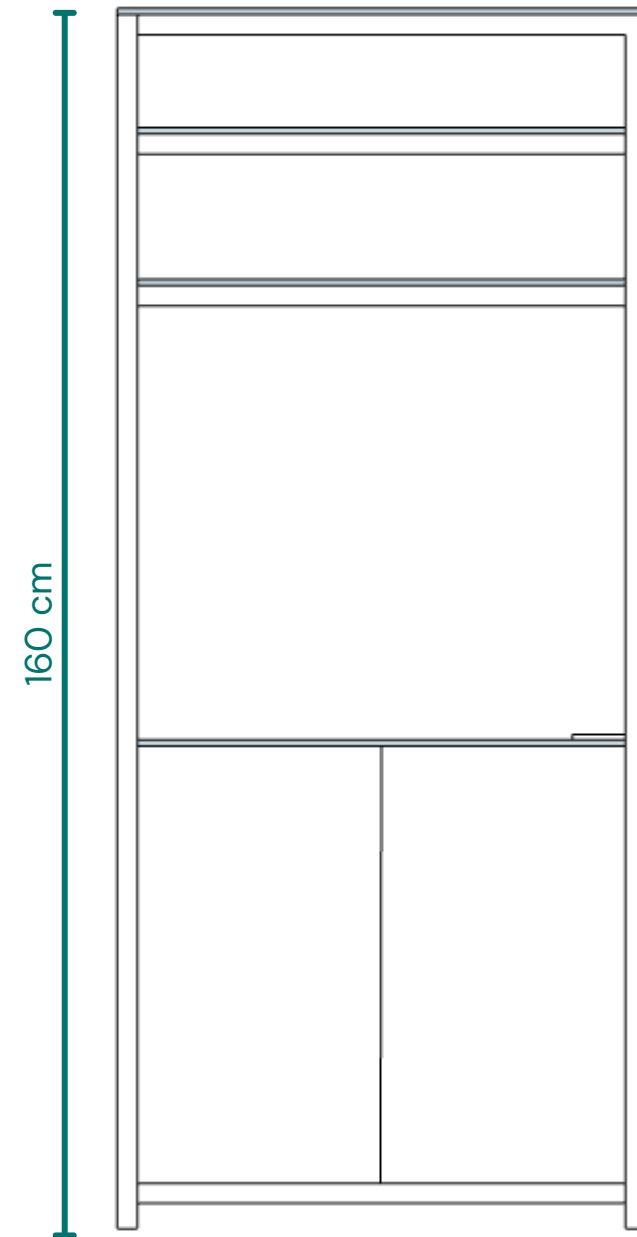
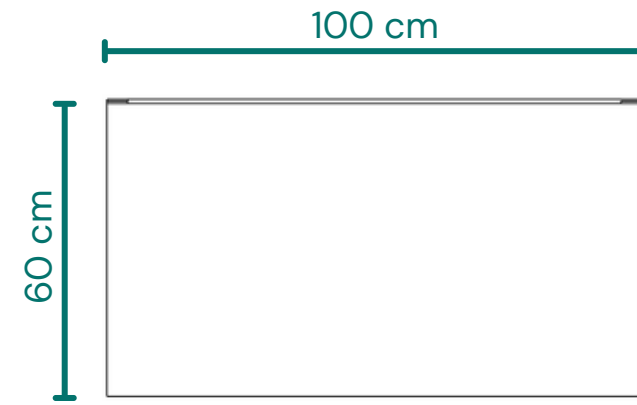
06 plaf furniture

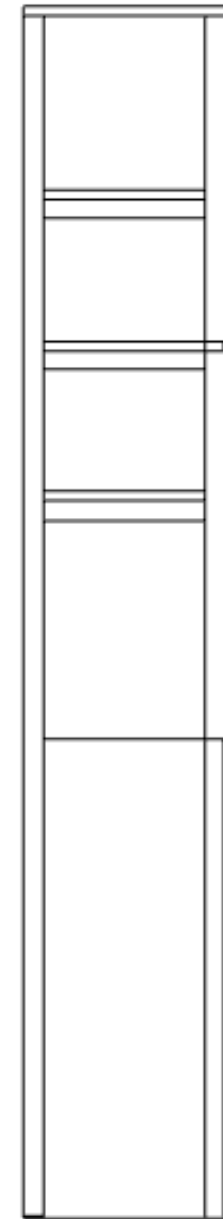
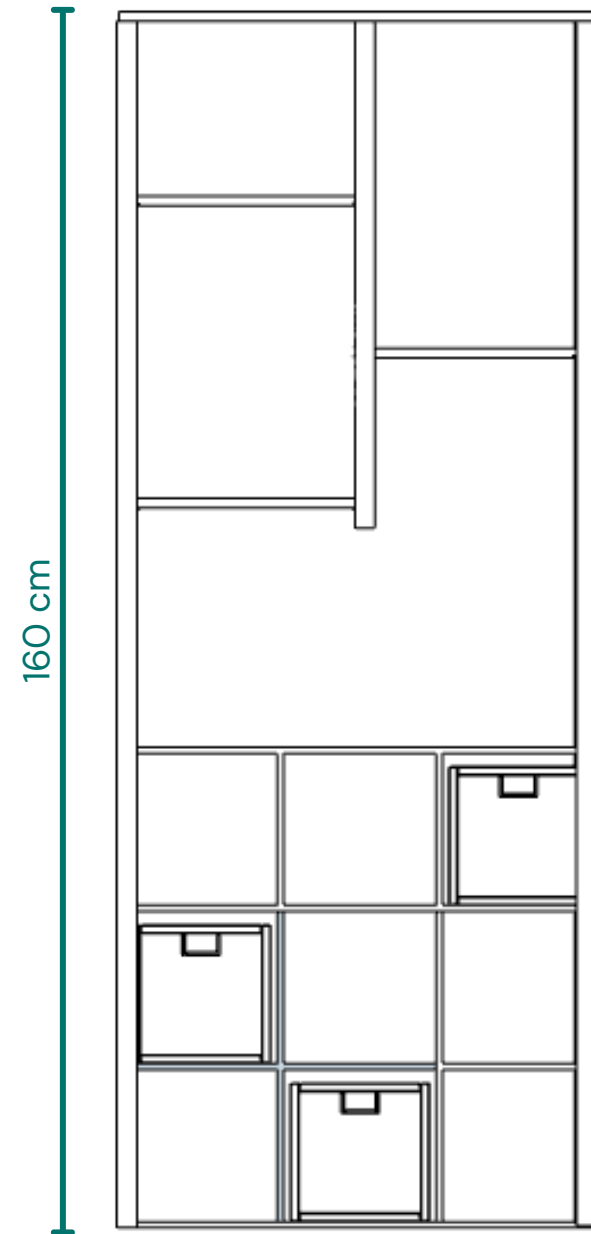
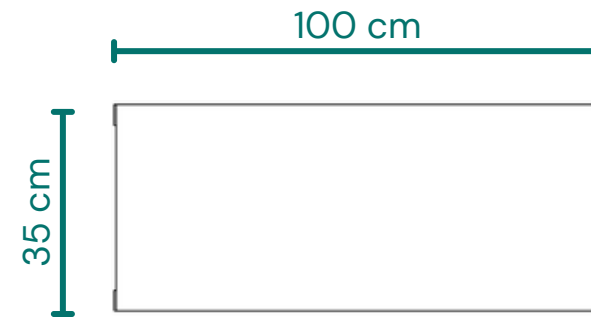
Modular Kiosks

Inclusions	1 modular kiosk unit
Weight	42 kg
Volume of Plastic Waste	19 kg recycled plastic waste
Dimensions (L x W x H)	120 cm x 60 cm x 59 cm 120 cm x 30 cm x 35 cm
Materials	Recycled Plastic eco-boards Metal legs

Starts at
Php 21 000





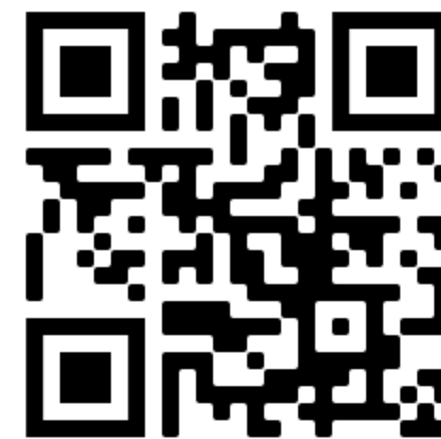




The Plaf

PLASTIC RECYCLERS

-  /theplaf
-  /theplaf
-  The Plastic Flamingo
-  @theplaf
-  @zeplaf



Scan QR Code
to know more about us
or email us at
hello@theplaf.com