

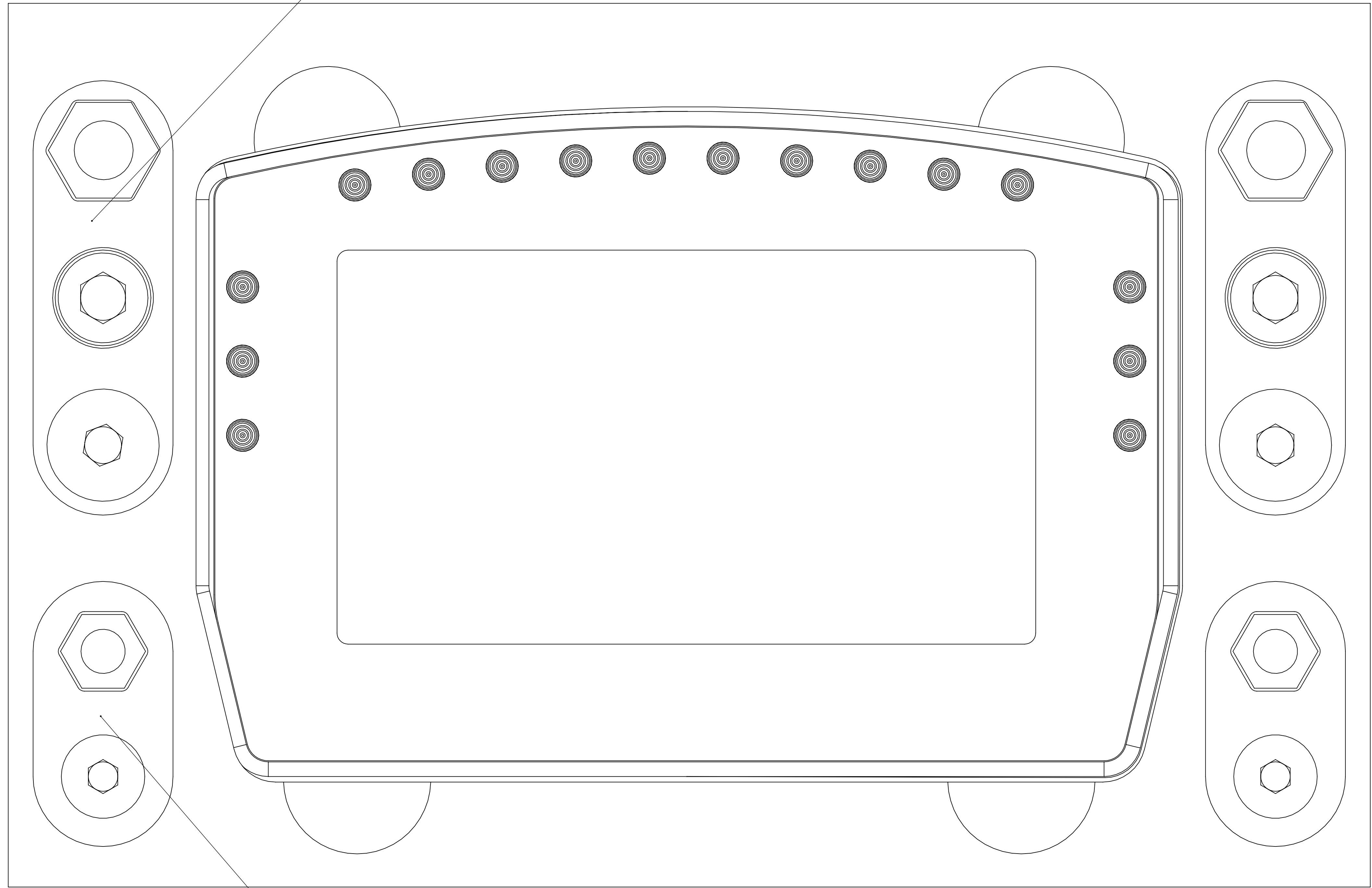
THIRD ANGLE PROJECTION

THIS DRAWING IS CONFIDENTIAL AND IS SUPPLIED ON THE EXPRESS CONDITION THAT IT SHALL NOT BE LOANED OR COPIED OR DISCLOSED TO ANY OTHER PERSON OR USED FOR ANY OTHER PURPOSE WITHOUT THE WRITTEN CONSENT OF SIMON HODGSON

Email: sales@precisionsimengineering.com

REV	ALTERATIONS		
	DATE	PARTICULARS	ZONE

Simucube / SimSteering / OSW mounting hardware

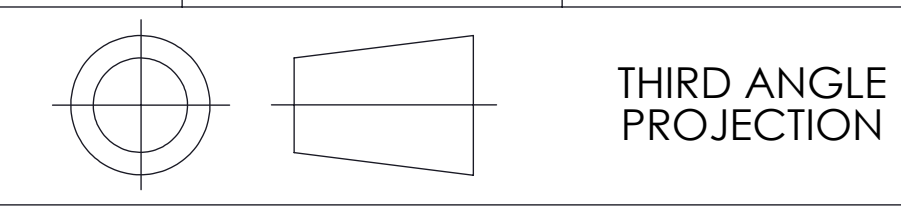


Fanatec Mounting Hardware

Box Contains

- DDU X 1
- Mounting Bracket x 1
- 30MM M8 Spacer x 2
- M8 x 30mm Socket Cap Bolt x 2
- M8 X 20mm Countersunk Bolt x 2
- 30mm M6 Standoff x 2
- M6 x 10mm Bolt x 2
- M3 Wingnut x 2
- 2M Right Angle USB Type B Cable x 2

SCALE 3:1	SHEET 1 OF 1
DRAWN SIMON HODGSON	
MATERIAL	
UNITS MILLIMETRES	
TITLE	
DDU Box Contents	
DRG. NO.	Insert Assembly



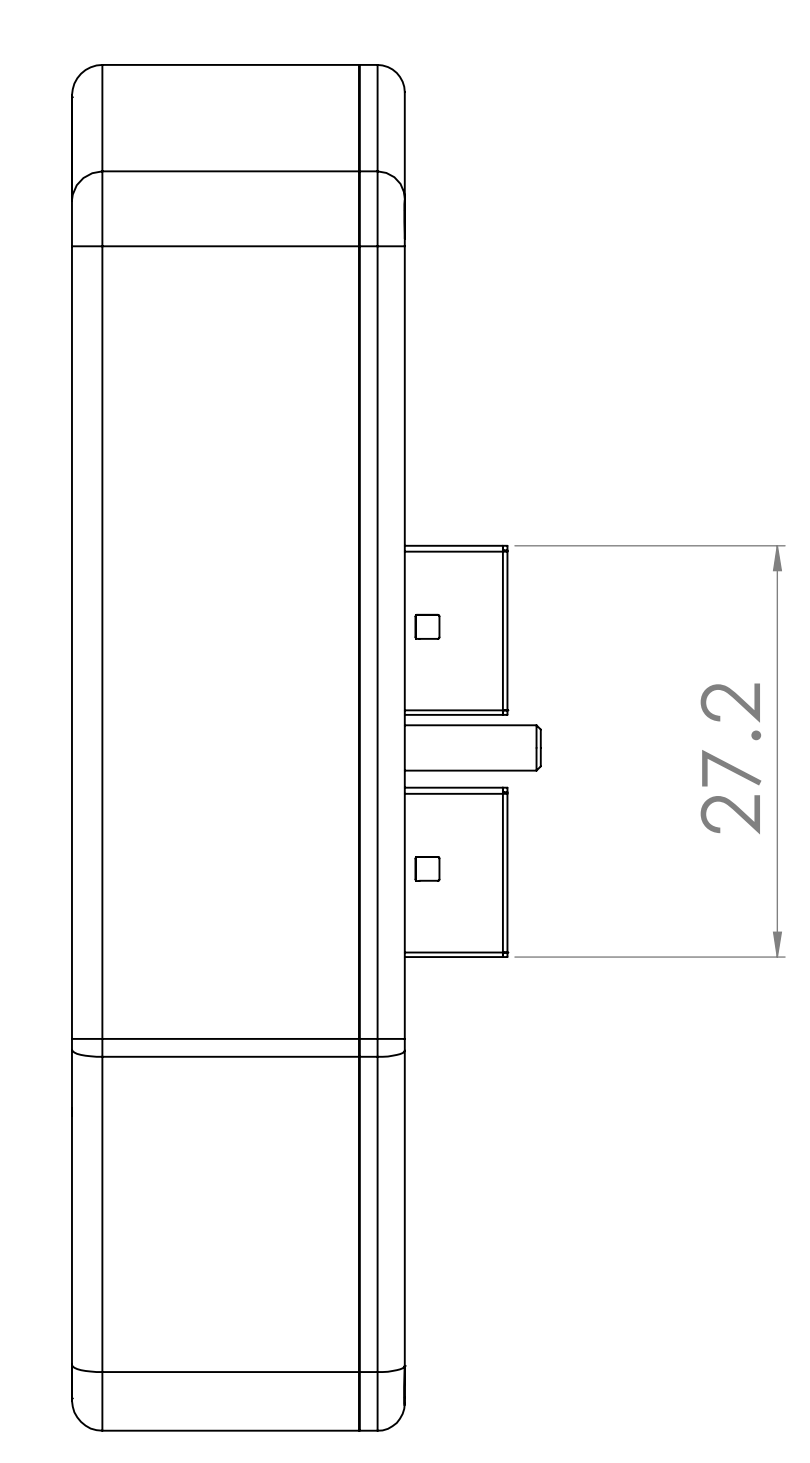
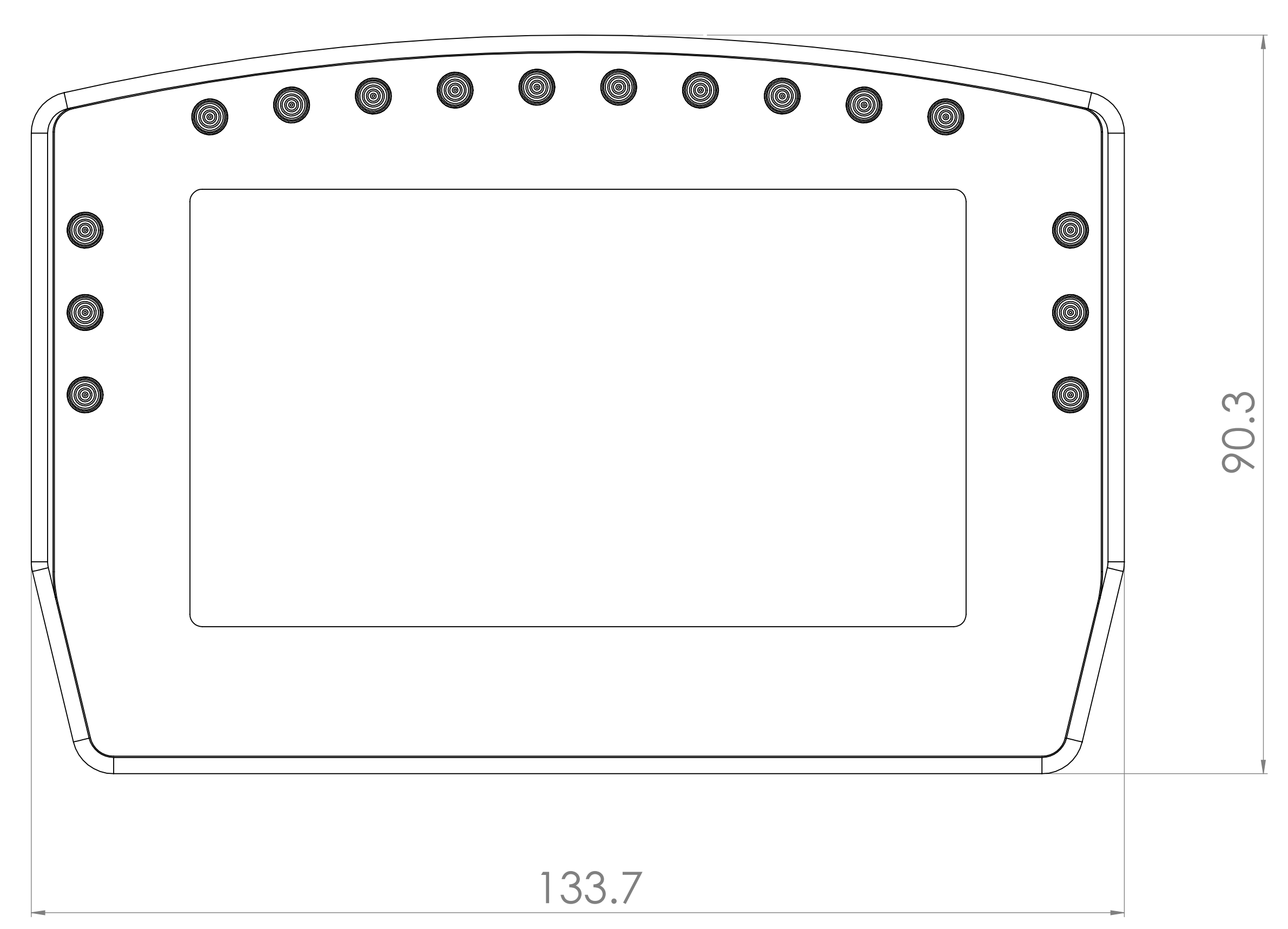
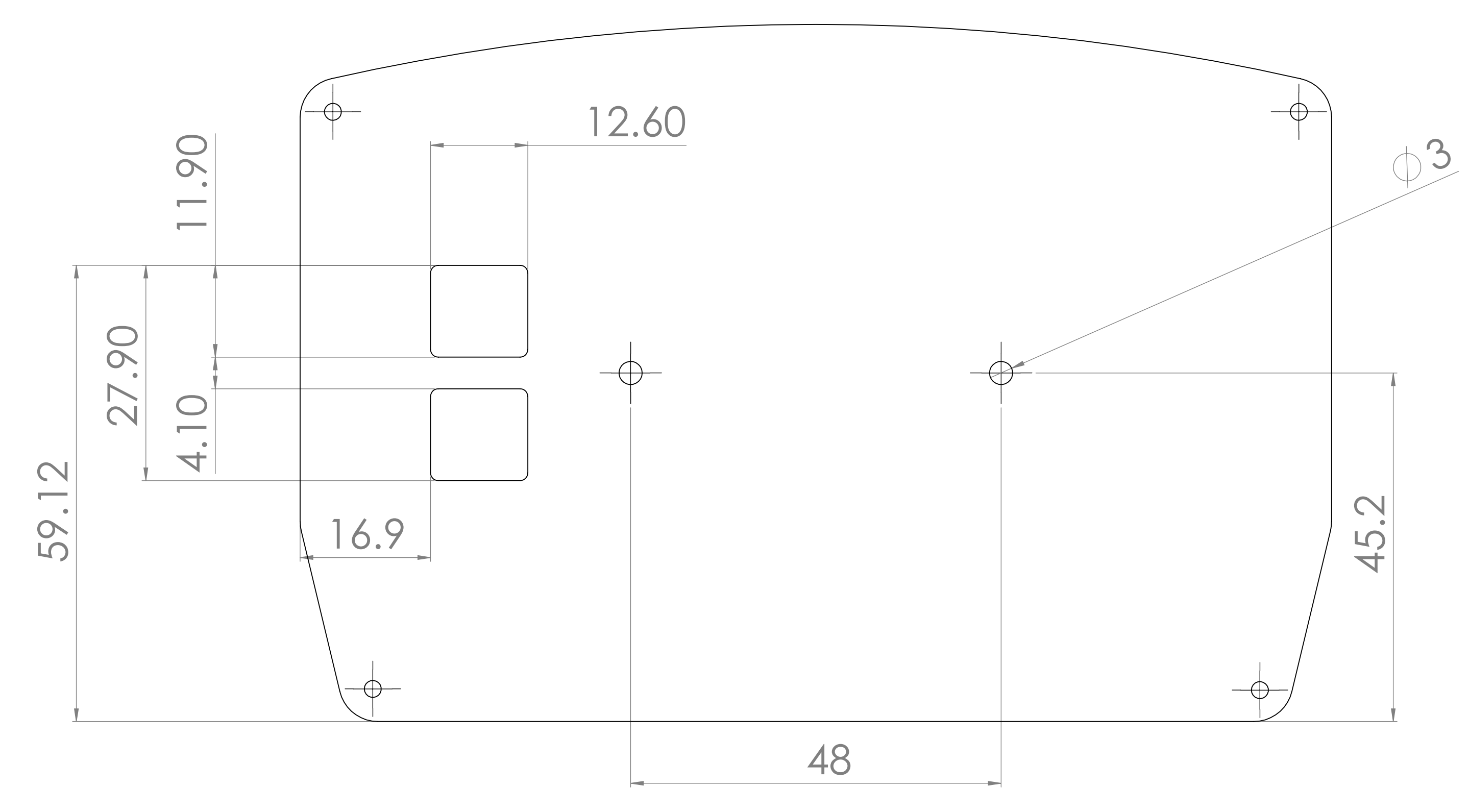
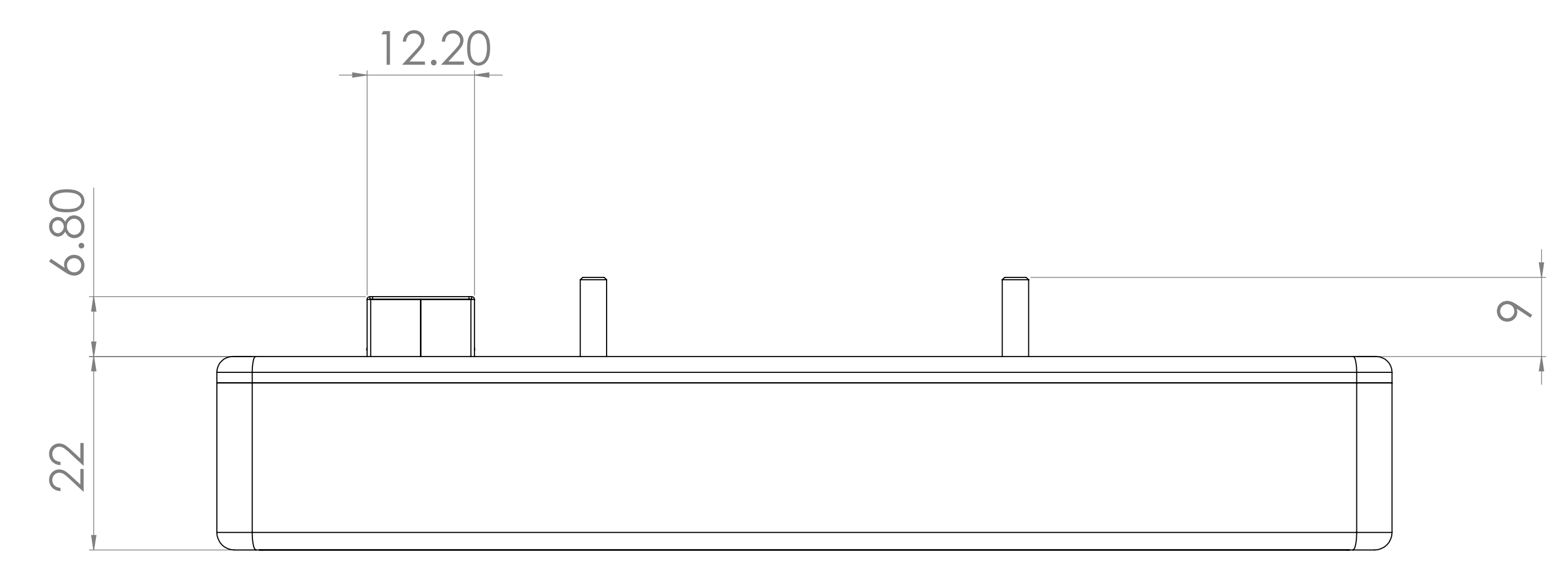
THIRD ANGLE PROJECTION

THIS DRAWING IS CONFIDENTIAL AND IS SUPPLIED ON THE EXPRESS CONDITION THAT IT SHALL NOT BE LOANED OR COPIED OR DISCLOSED TO ANY OTHER PERSON OR USED FOR ANY OTHER PURPOSE WITHOUT THE WRITTEN CONSENT OF SIMON HODGSON

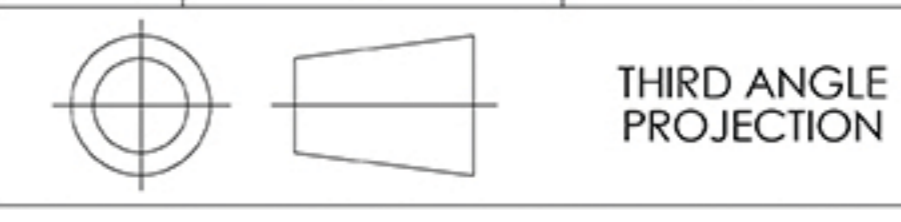
Email: sales@precisionengineering.com

REV	ALTERATIONS		
	DATE	PARTICULARS	ZONE

DDU Panel Mounting Dimensions



SCALE	2:1	SHEET	1 OF 1
DRAWN	SIMON HODGSON		
MATERIAL			
UNITS	MILLIMETRES		
TITLE	DDU Dimensions		
DRG. NO.	DDU Assembly		

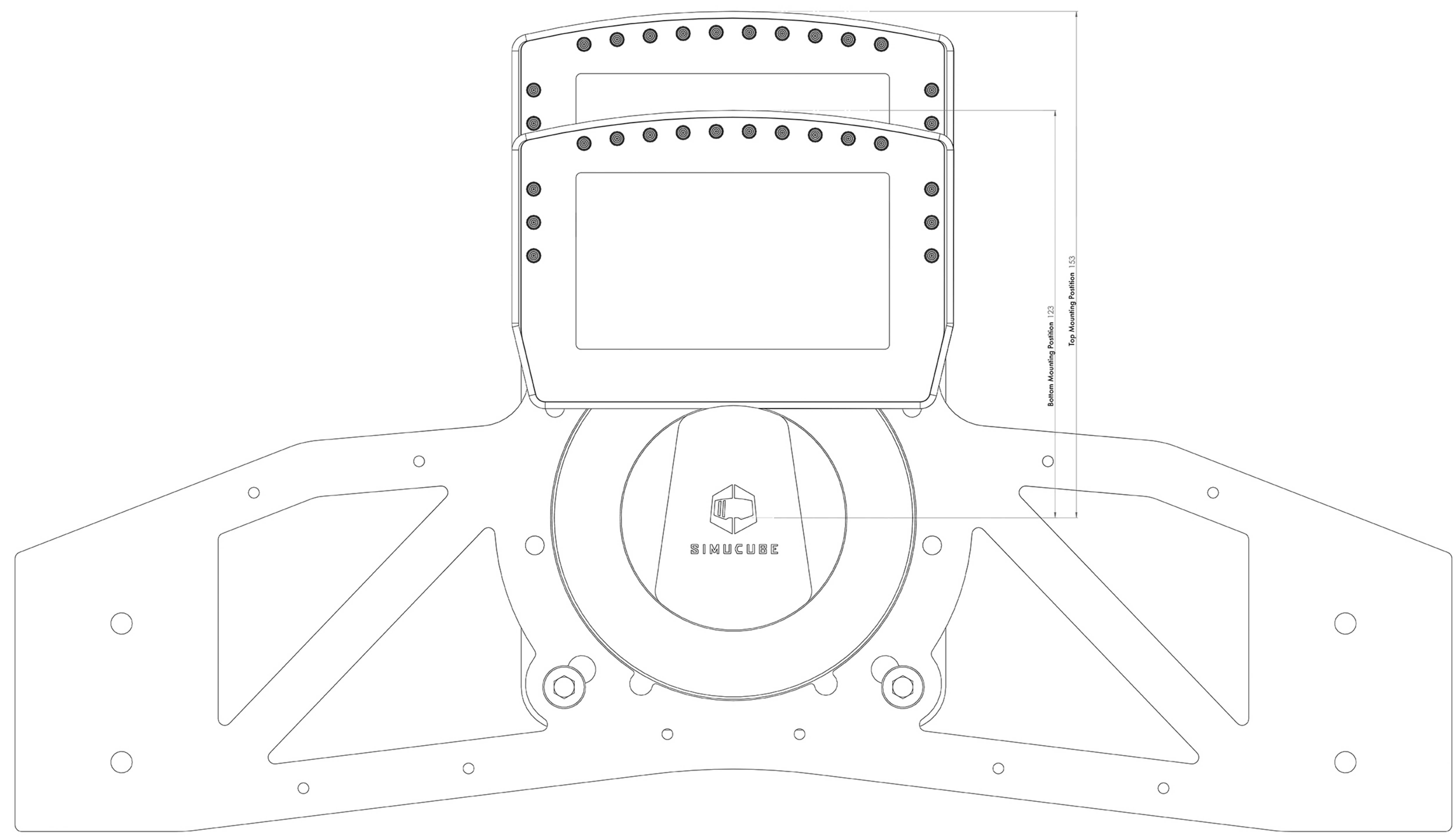


THIRD ANGLE PROJECTION

THIS DRAWING IS CONFIDENTIAL AND IS SUPPLIED ON THE EXPRESS CONDITION THAT IT SHALL NOT BE LOANED OR COPIED OR DISCLOSED TO ANY OTHER PERSON OR USED FOR ANY OTHER PURPOSE WITHOUT THE WRITTEN CONSENT OF SIMON HODGSON

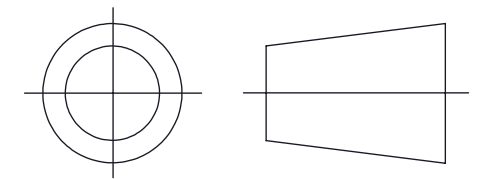
Email: sales@precisionsengineering.com

ISSUE NO.	ALTERATIONS		ZONE	INITIAL
	DATE	PARTICULARS		



SCALE	2:1	SHEET	1 OF 1
DRAWN	SIMON HODGSON		
MATERIAL			
UNITS	MILLIMETRES		
TITLE	DDU Height Adjustment Range		
DRG. NO.	DDU Simucube Mounting		

A0 ENGINEERING DRAWING

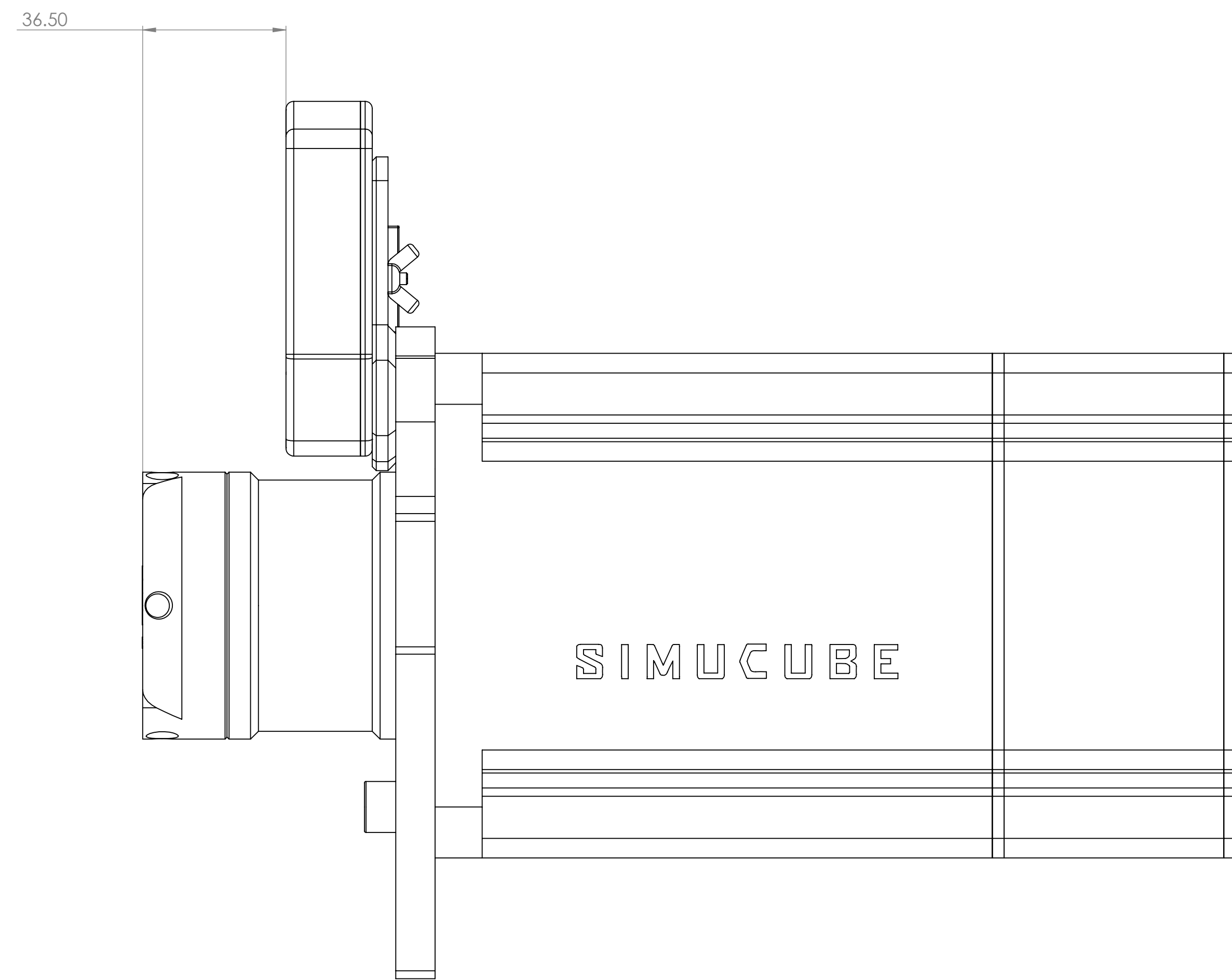
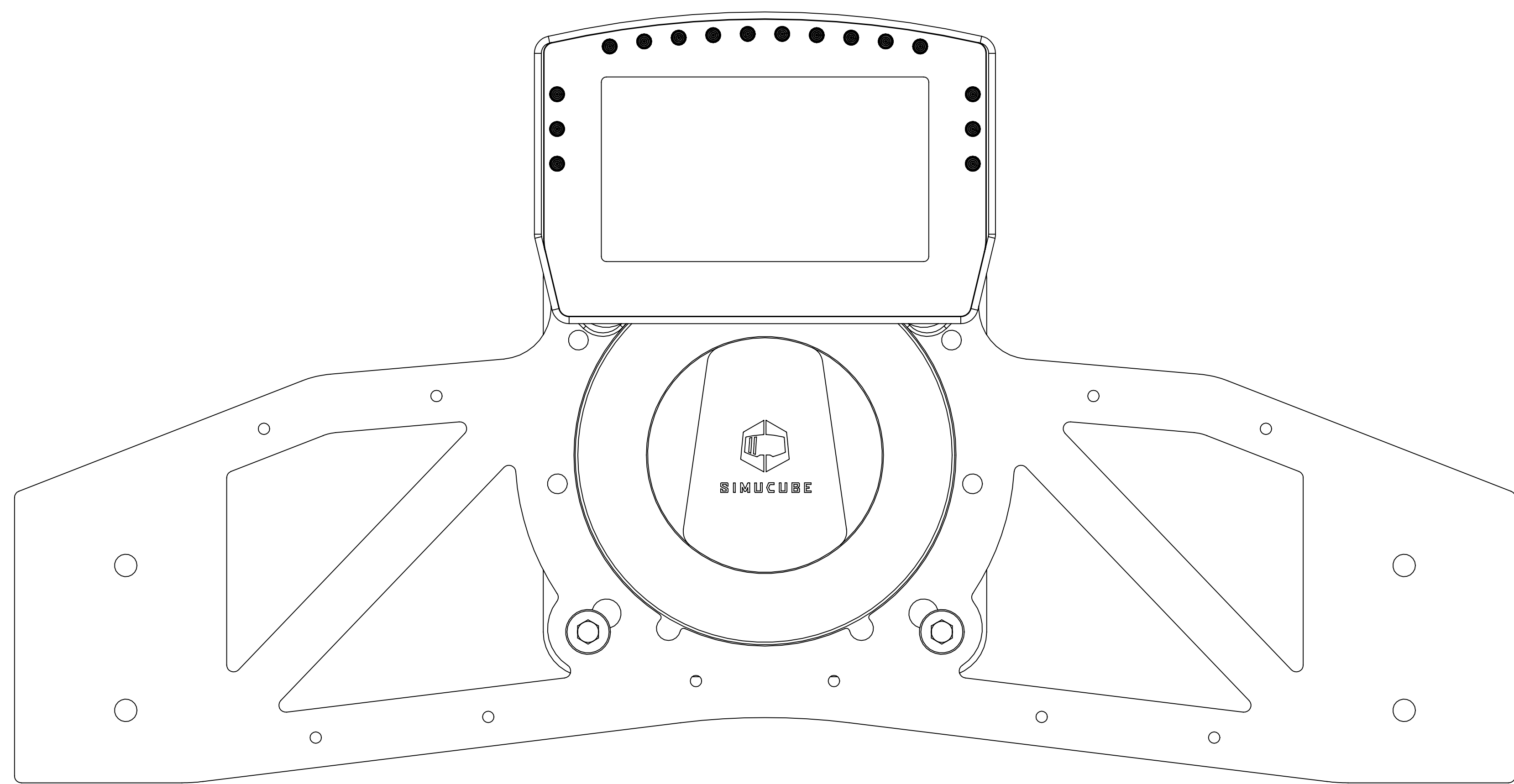
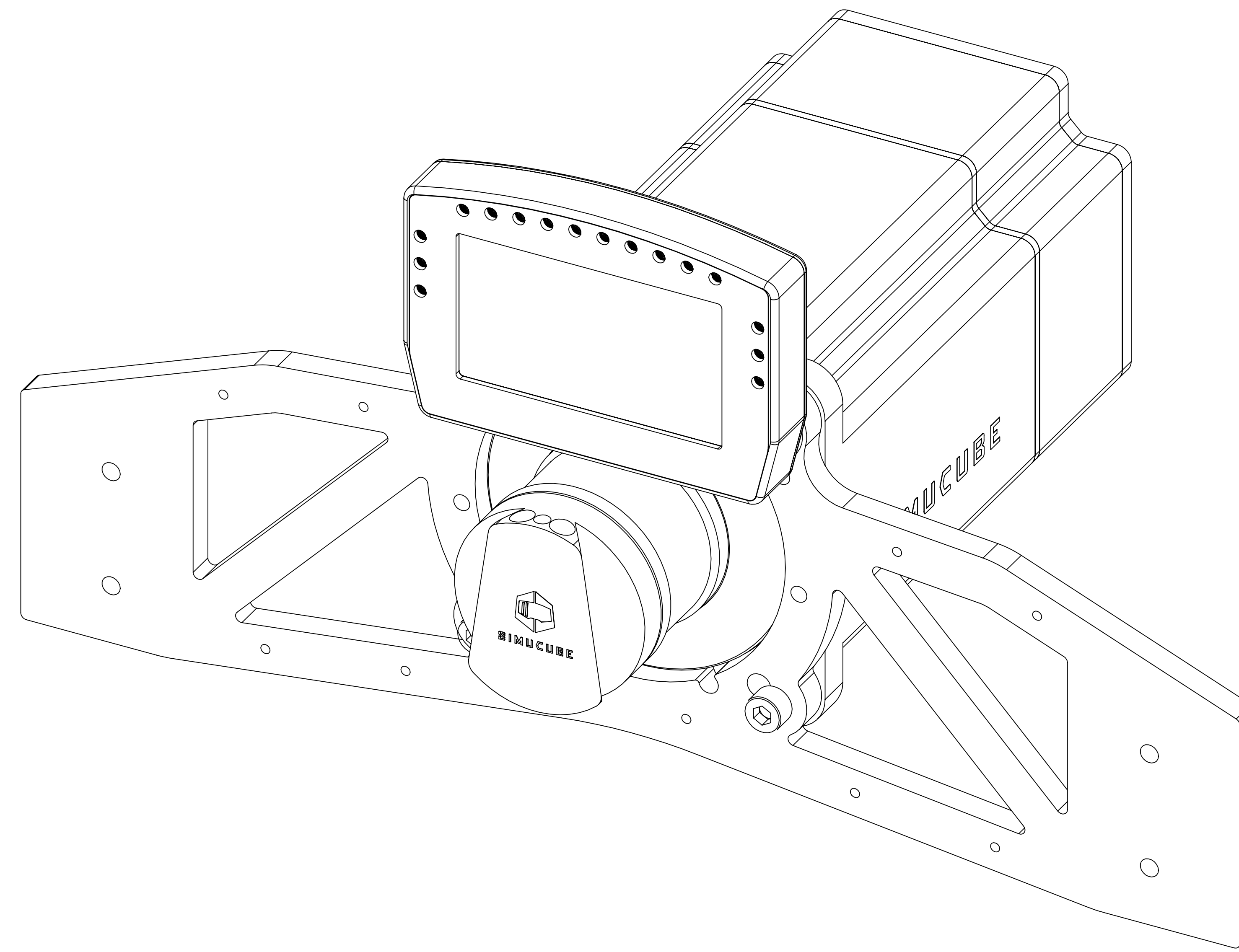
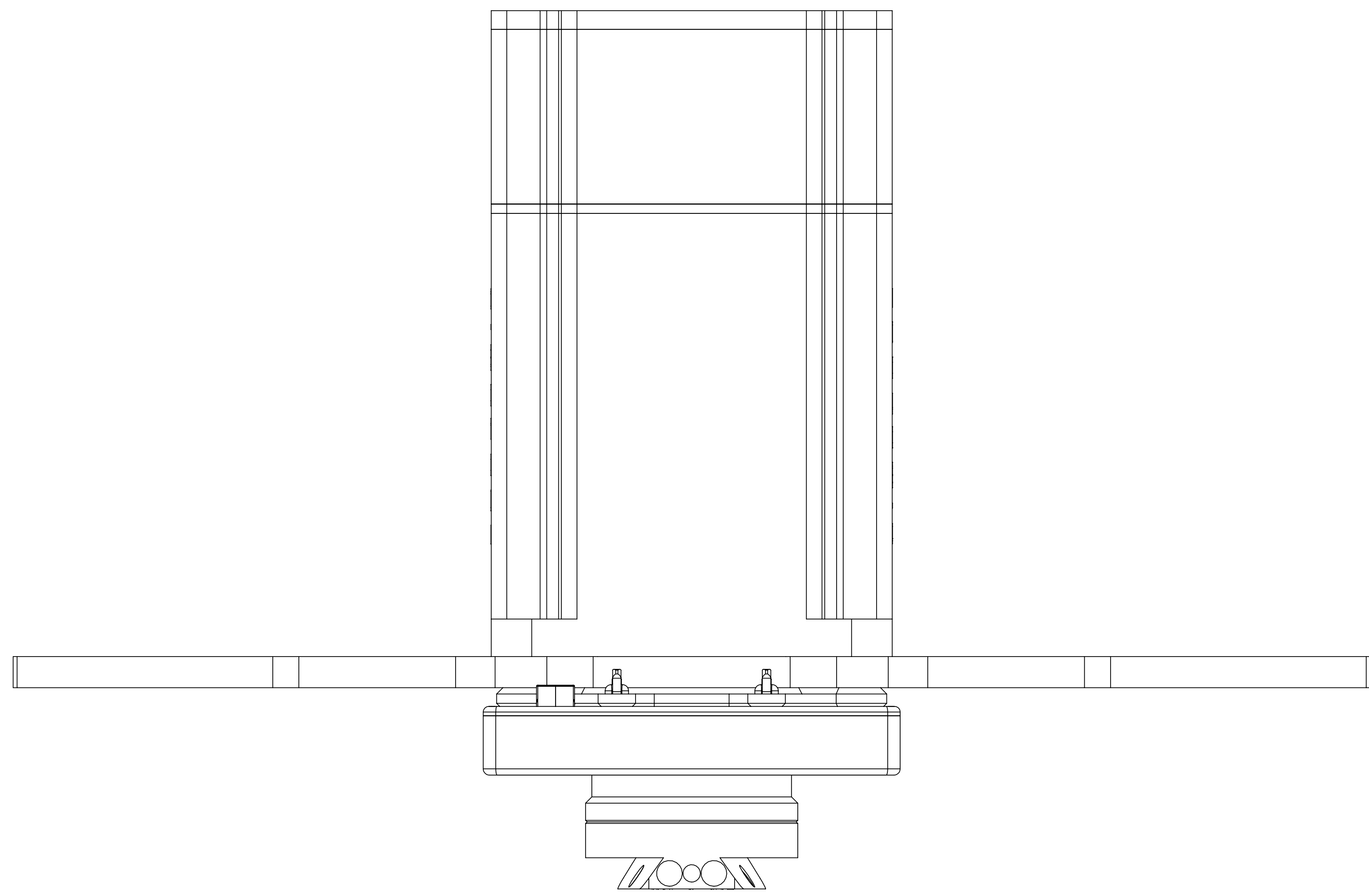


THIRD ANGLE PROJECTION

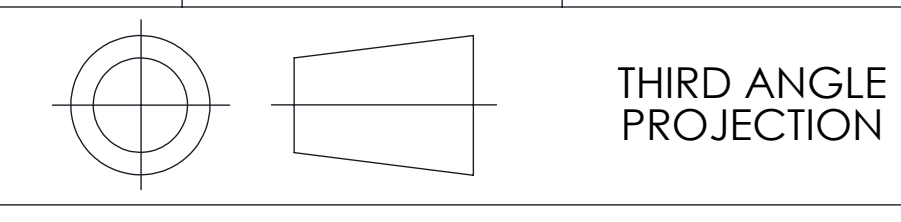
THIS DRAWING IS CONFIDENTIAL AND IS SUPPLIED ON THE EXPRESS CONDITION THAT IT SHALL NOT BE LOANED OR COPIED OR DISCLOSED TO ANY OTHER PERSON OR USED FOR ANY OTHER PURPOSE WITHOUT THE WRITTEN CONSENT OF SIMON HODGSON

Email: sales@precisionsimengineering.com

ISSUE NO	ALTERATIONS		ZONE	INITIAL
	DATE	PARTICULARS		



SCALE	1:1	SHEET	1 OF 1
DRAWN	SIMON HODGSON		
MATERIAL			
UNITS	MILLIMETRES		
TITLE	DDU Simucube Mounting		
DRG. NO.	DDU Simucube Mounting		

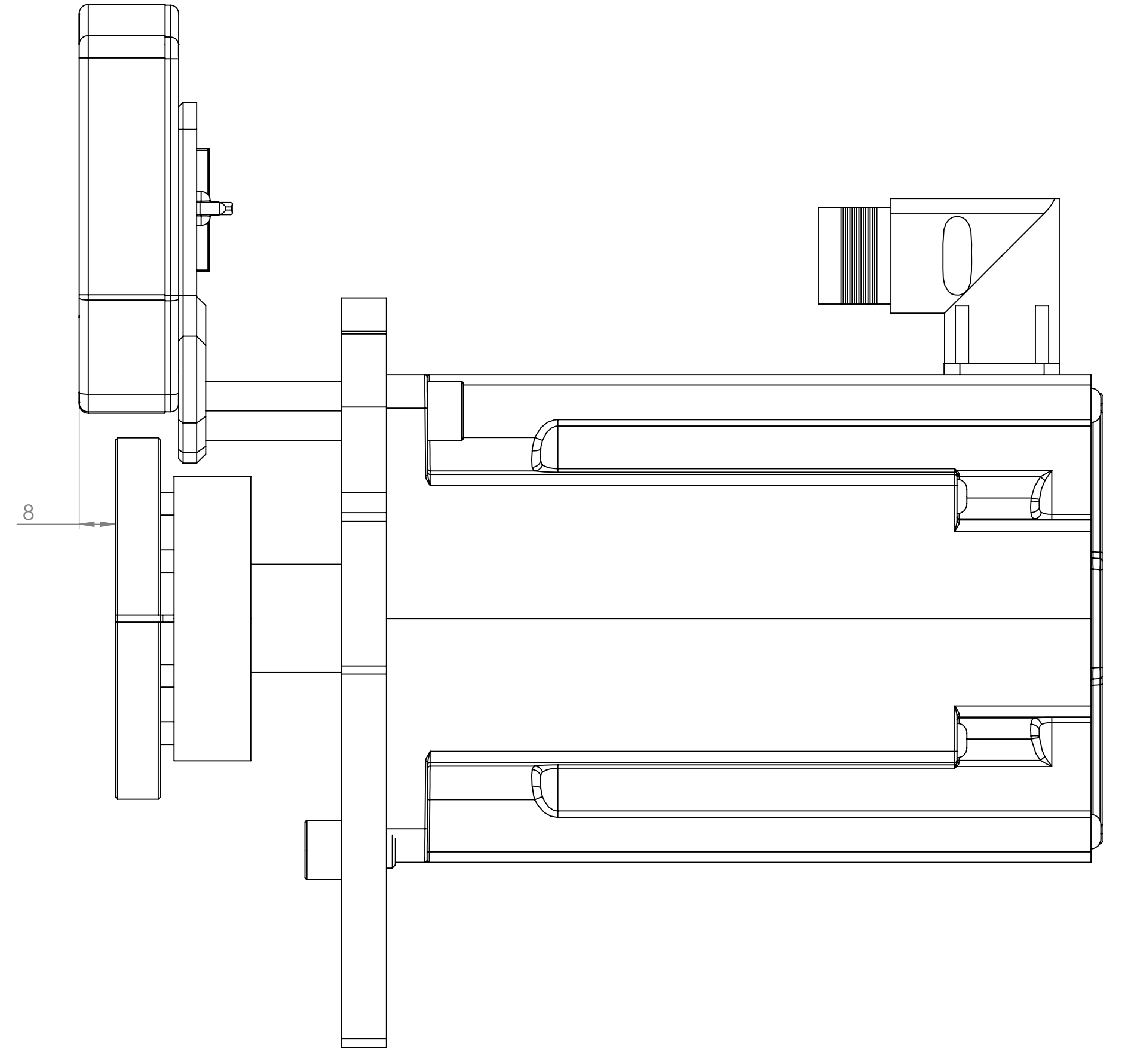
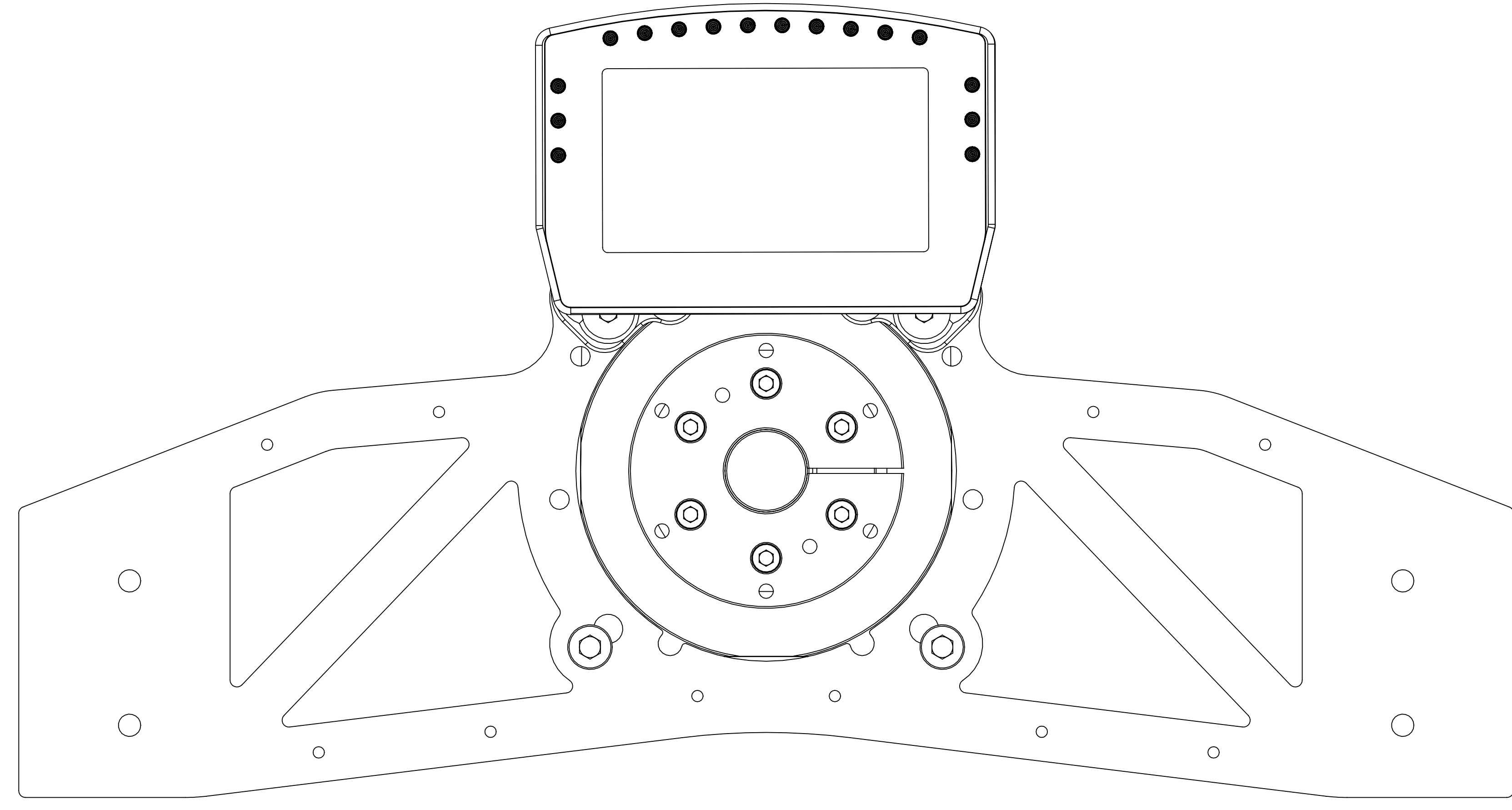
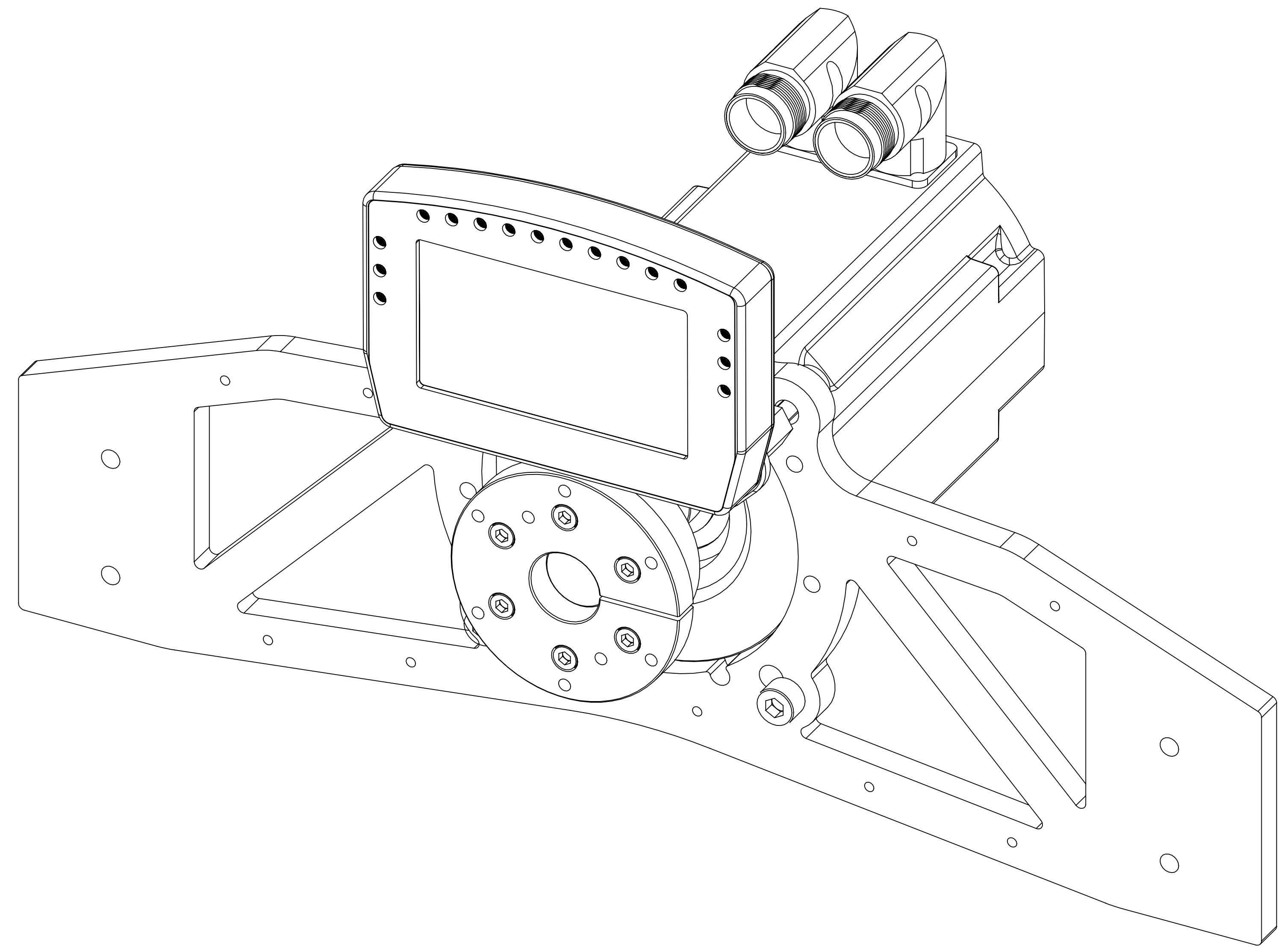
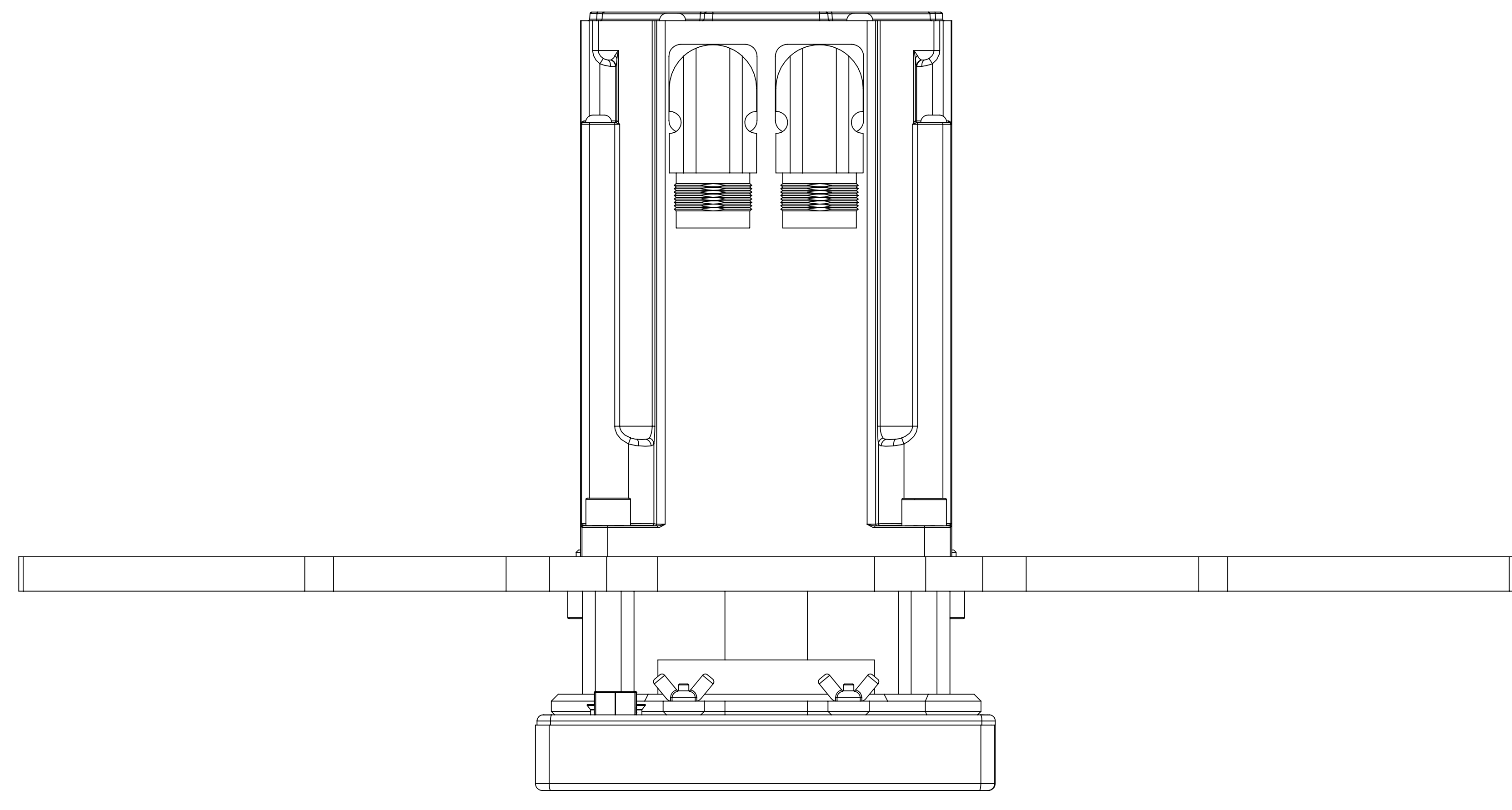


THIRD ANGLE PROJECTION

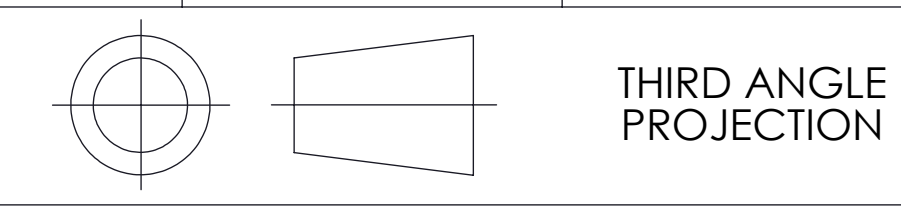
THIS DRAWING IS CONFIDENTIAL AND IS SUPPLIED ON THE EXPRESS CONDITION THAT IT SHALL NOT BE LOANED OR COPIED OR DISCLOSED TO ANY OTHER PERSON OR USED FOR ANY OTHER PURPOSE WITHOUT THE WRITTEN CONSENT OF SIMON HODGSON

Email: sales@precisionsimengineering.com

ISSUE NO	ALTERATIONS		ZONE	INITIAL
	DATE	PARTICULARS		



SCALE	1:1	SHEET	1 OF 1
DRAWN	SIMON HODGSON		
MATERIAL			
UNITS	MILLIMETRES		
TITLE	DDU SimSteering - OSW Mounting		
DRG. NO.	DDU SimSteering - OSW Mounting		

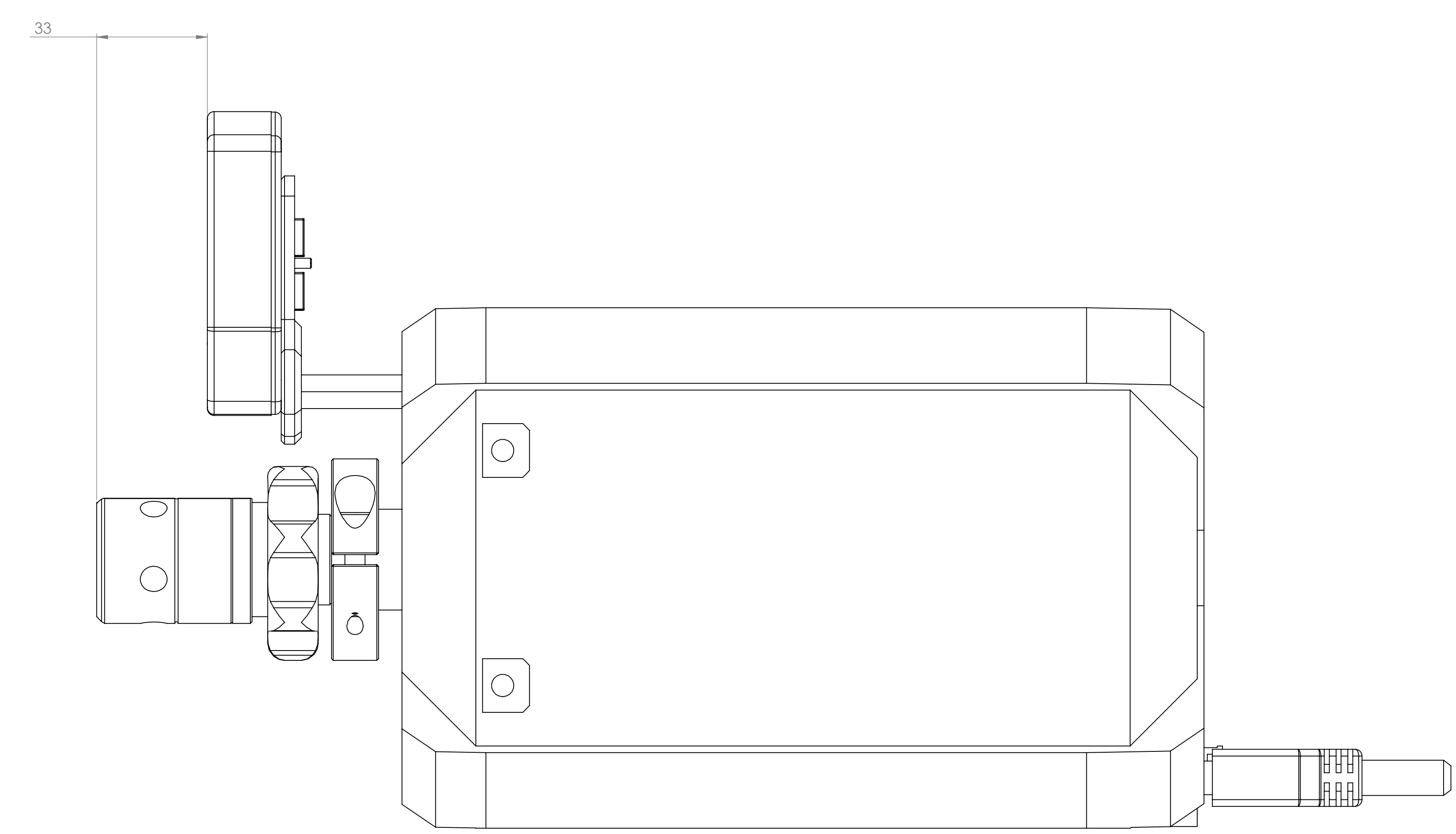
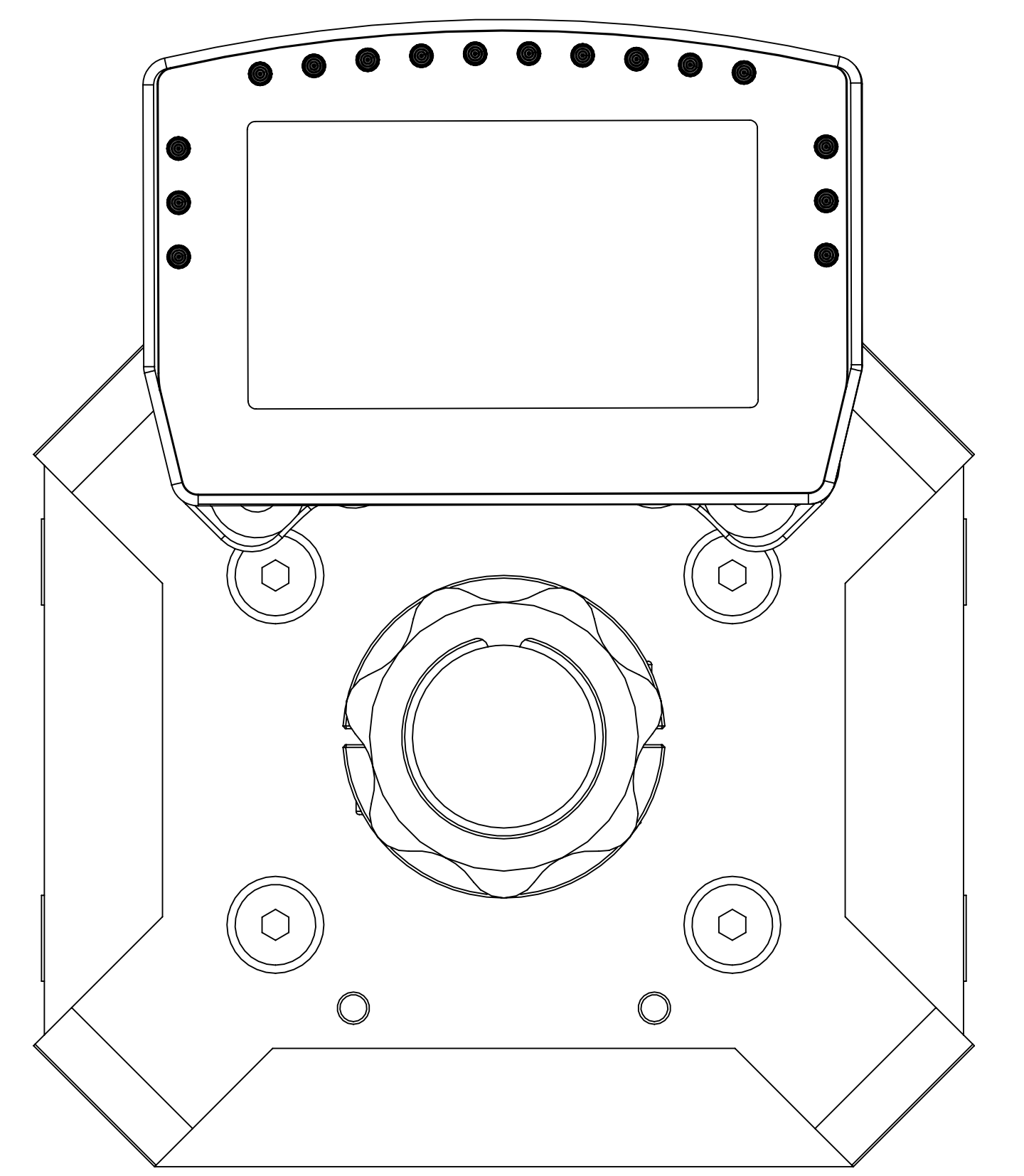
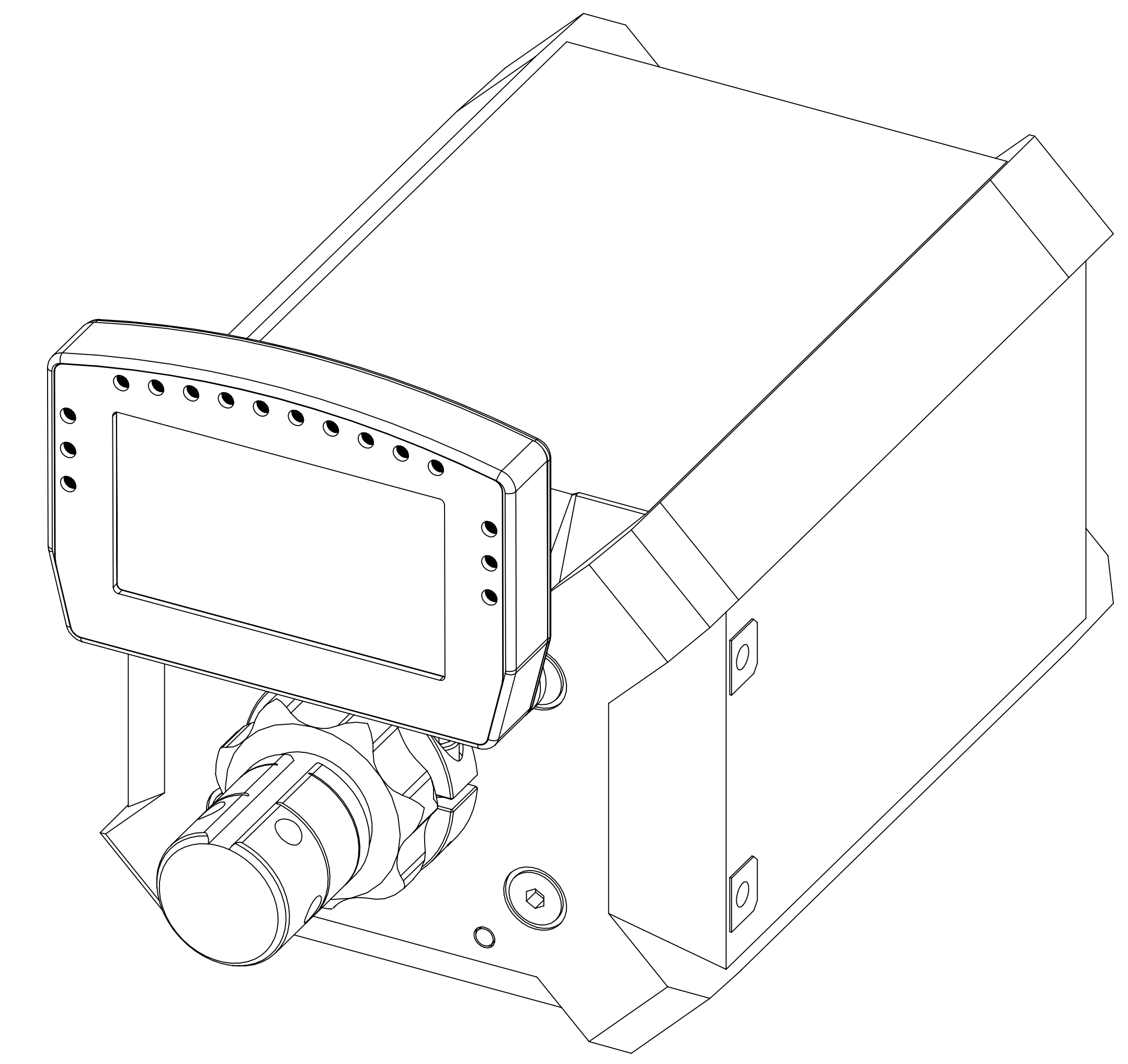
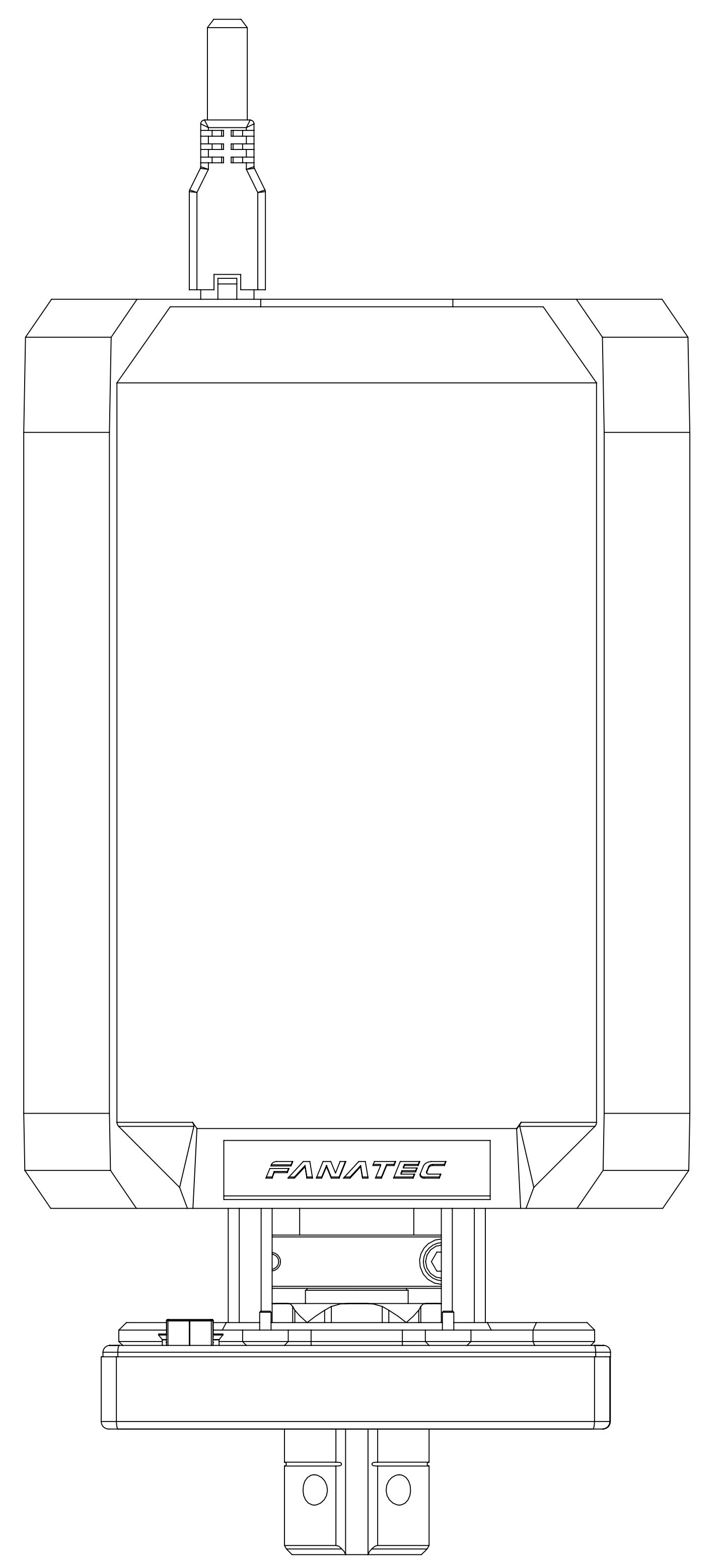


THIRD ANGLE PROJECTION

THIS DRAWING IS CONFIDENTIAL AND IS SUPPLIED ON THE EXPRESS CONDITION THAT IT SHALL NOT BE LOANED OR COPIED OR DISCLOSED TO ANY OTHER PERSON OR USED FOR ANY OTHER PURPOSE WITHOUT THE WRITTEN CONSENT OF SIMON HODGSON

Email: sales@precisionsimengineering.com

REV	ALTERATIONS		ZONE	INITIAL
	DATE	PARTICULARS		



SCALE 1:1	SHEET 1 OF 1
DRAWN SIMON HODGSON	
MATERIAL	
UNITS MILLIMETRES	
TITLE	

DDU Fanatec Podium Mounting

DRG. NO.	DDU Fanatec Podium Mounting
----------	-----------------------------