

XP-F4000



Tray Former

Innovative Design

Small Footprint



A unique combination of simplicity of design and customer centric features combined to perform at optimal levels.

Features

- Modular design for future upgradeability
- Standardization of wearable parts
- First quality commercial components
- Tool-less changeover design
- Operator friendly user interface

Contact Us

X PAK USA, LLC
Headquarters
1530 Jersey Ave.
North Brunswick, NJ 08902
732.964.1600 Tel
732.964.1601 Fax
sales@xpakusa.com
xpakusa.com



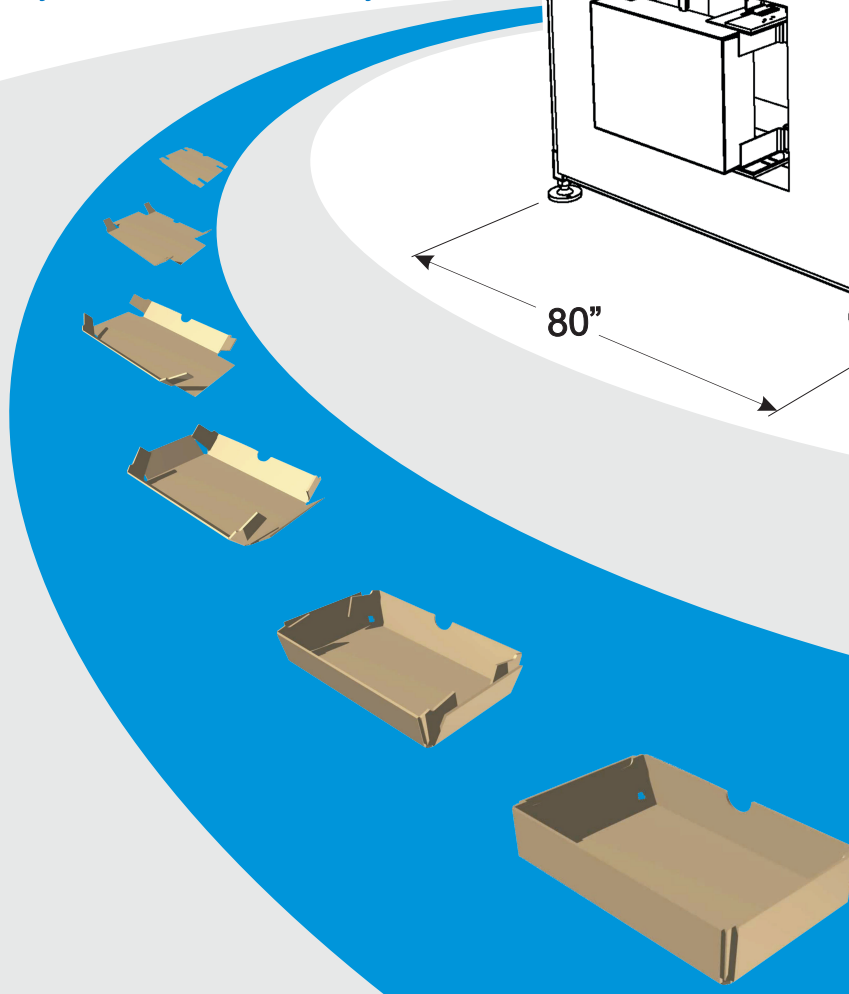
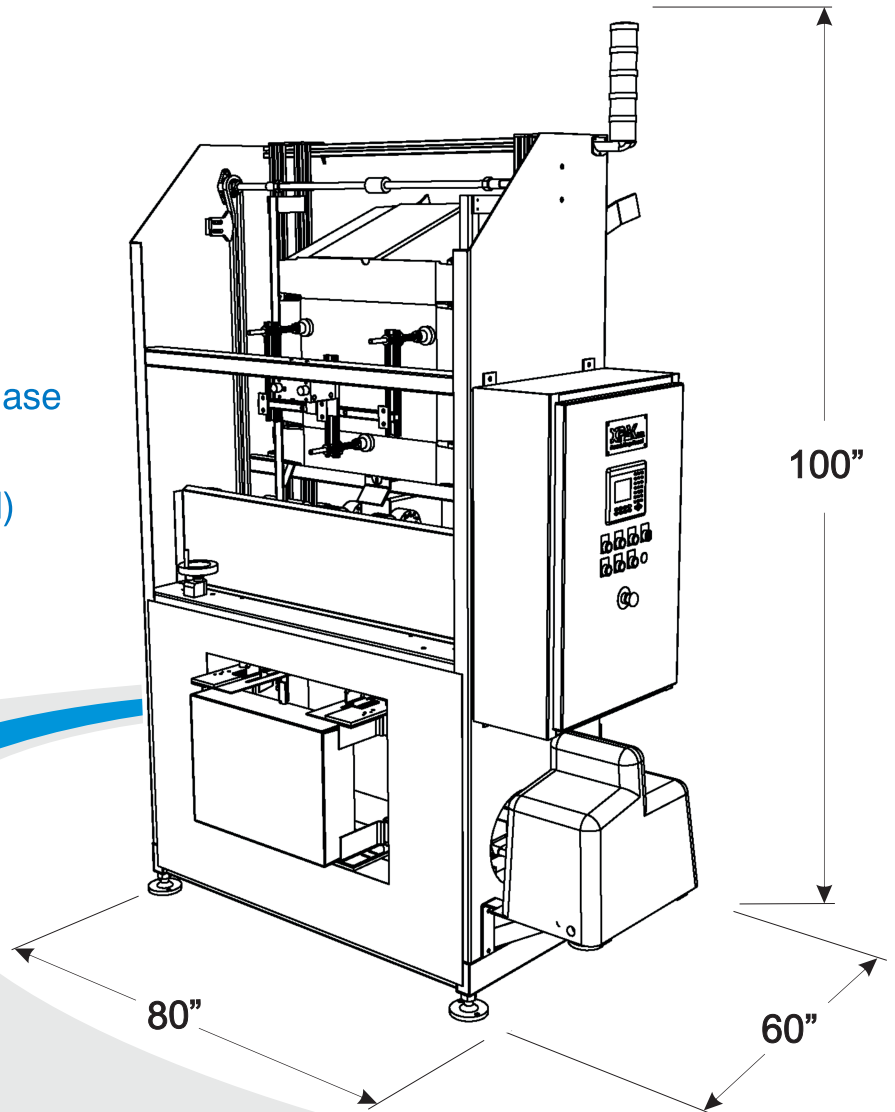
Forward. Always Forward.

Tray Former

XP-F4000

Specifications

Speed	Up to 35/min.
Tray Size Range	W 9.5" - 32"
	L 6.5" - 32"
	H 1.5" - 8"
Power	230 VAC, 3 Phase 30 Amps
	80 PSI (8 CFM)
Magazine Capacity	1000 blanks
PLC and Display	Allen Bradley



888 X PAK USA
(888.972.5872)

Contact Us

X PAK USA, LLC
Headquarters
 1530 Jersey Ave.
 North Brunswick, NJ 08902
 732.964.1600 Tel
 732.964.1601 Fax
 sales@xpakusa.com
 xpakusa.com

Not all values may be combined.
 Specifications may change without notice.
 The information contained in this brochure is non-binding.