



Forward. Always Forward.

Shrink Packaging Systems

XP-S8025T



# Shrink Bundling System

Sophisticated Features

Simplified Controls



The XP-S8025T is a versatile machine capable of wrapping collated bottles in an unsupported, padded or on-tray in single or multi-lane configurations.

## Features

- On-screen troubleshooting with expandable help menus
- Recipe driven parameters
- Tool-less changeover
- Registered printed film
- Low film alarm
- Film break detection
- Second film roll with film splice bar
- Hot Melt System

## Contact Us

XPAK USA, LLC  
 Headquarters  
 1530 Jersey Ave.  
 North Brunswick, NJ 08902  
 732.964.1600 Tel  
 732.964.1601 Fax  
[sales@xpakusa.com](mailto:sales@xpakusa.com)  
[xpakusa.com](http://xpakusa.com)



Shrink Bundling System

# XP-S8025T

Forward. Always Forward.

## Specifications

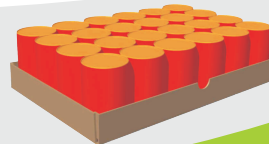
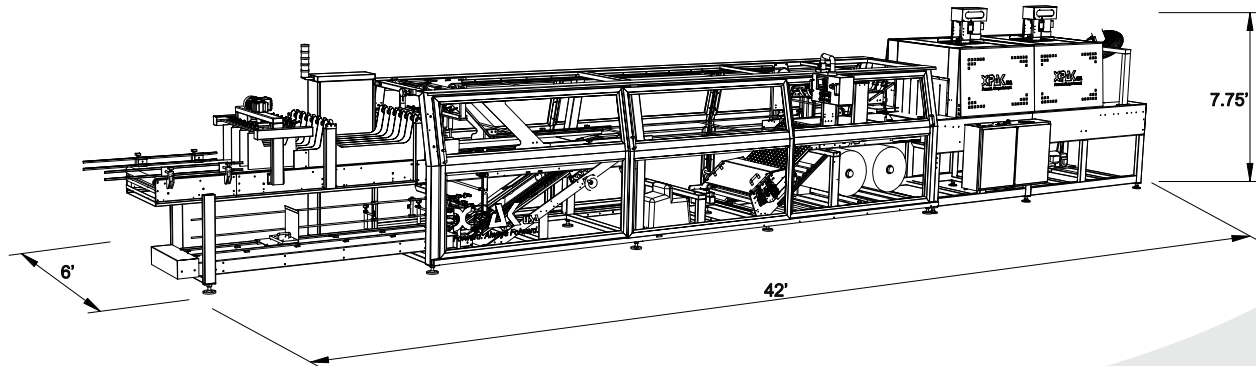
<b>Power</b>	480 VAC, 3 Phase 100 Amp 80 PSI
<b>Speed</b>	25 Packages / min.
<b>Film</b>	Length: 17" - 45" Width: Up to 30" Roll Dia: 21" Max (3" Core) Thickness: 1.5 - 3 mil
<b>Package</b>	pack length: 3" - 10" pack height: 2.5" - 12" product diam: 2" - 10" Tray Height: 1.5" - 3.25" Number of Lanes: 2 - 6 (8 Optional)

## Other Models

XP-S8035T - 35 Packages / Min.  
XP-S8045T - 45 Packages / Min.

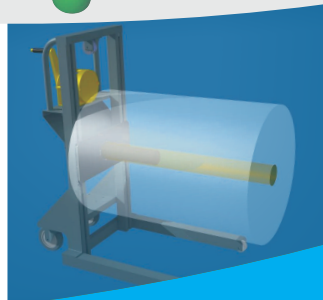
## Options

- Motorized Infeed Lane Divider
- Square or Oval Bottles
- Unsupported Product System
- Dual Lane
- Right Angle Infeed
- Automatic Flight Bar Changeover



## Accessories

- Film Delivery Cart
- Spare Parts Package
- Tool Kit



888 XPAK USA  
(888.972.5872)

## Contact Us

X PAK USA, LLC  
Headquarters  
53 Ainsworth Ave.  
East Brunswick, NJ 08816  
732.964.1600 Tel  
732.964.1601 Fax  
sales@xpakusa.com  
xpakusa.com

Not all values may be combined.  
Specifications may change without notice.  
The information contained in this brochure is non-binding.