



# Fold and Lock Tray Former

Small footprint

Tool-less Changeover



## Features

- Modular tooling
- Wide product range
- Tool-less changeover design
- Operator friendly user interface
- On-Screen Troubleshooting

## Contact Us

XPAK USA, LLC  
Headquarters  
1530 Jersey Ave.  
North Brunswick, NJ 08902  
732.964.1600 Tel  
732.964.1601 Fax  
sales@xpakusa.com  
xpakusa.com



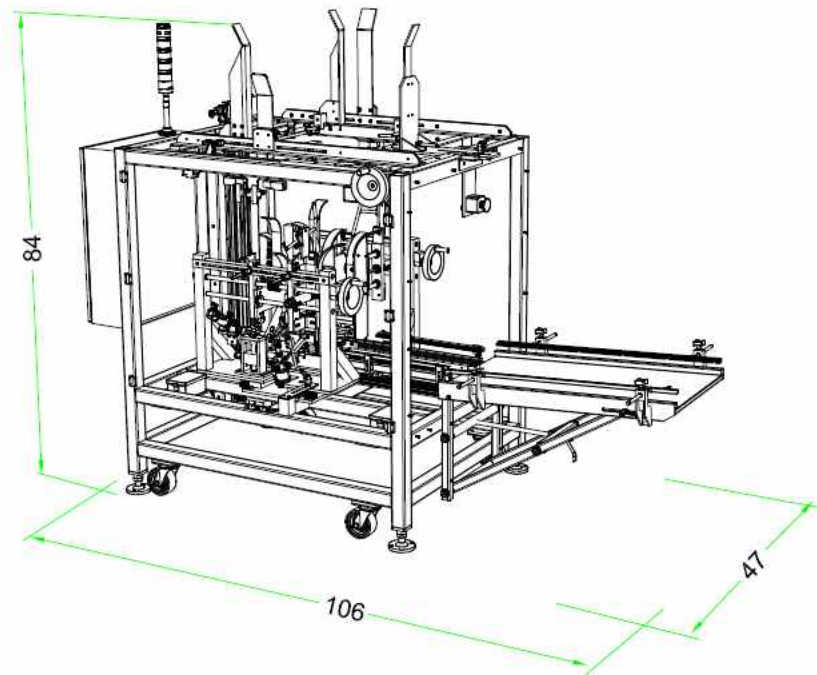
Forward. Always Forward.

Fold & Lock Tray Former

XP-F3100

### Specifications

Speed	Up to 15/min.
Tray Size Range	W 9.5" - 32" L 6.5" - 32" H 1.5" - 8"
Power	110 VAC 80 PSI (8 CFM)
PLC and Display	Allen Bradley



888 XPAK USA  
(888.972.5872)

### Contact Us

XPAK USA, LLC  
 Headquarters  
 1530 Jersey Ave.  
 North Brunswick, NJ 08902  
 732.964.1600 Tel  
 732.964.1601 Fax  
 sales@xpakusa.com  
 xpakusa.com

Not all values may be combined.  
 Specifications may change without notice.  
 The information contained in this brochure is non-binding.