

Firewood Bundler



Features

- Ergonomic Loading Design
- Industrial Build
- Operator Friendly Interface
- Integrated Labeling Solutions
- On-Screen Troubleshooting

Contact Us

XPAK USA, LLC
Headquarters
1530 Jersey Ave.
North Brunswick, NJ 08902
732.964.1600 Tel
732.964.1601 Fax
sales@xpakusa.com
xpakusa.com



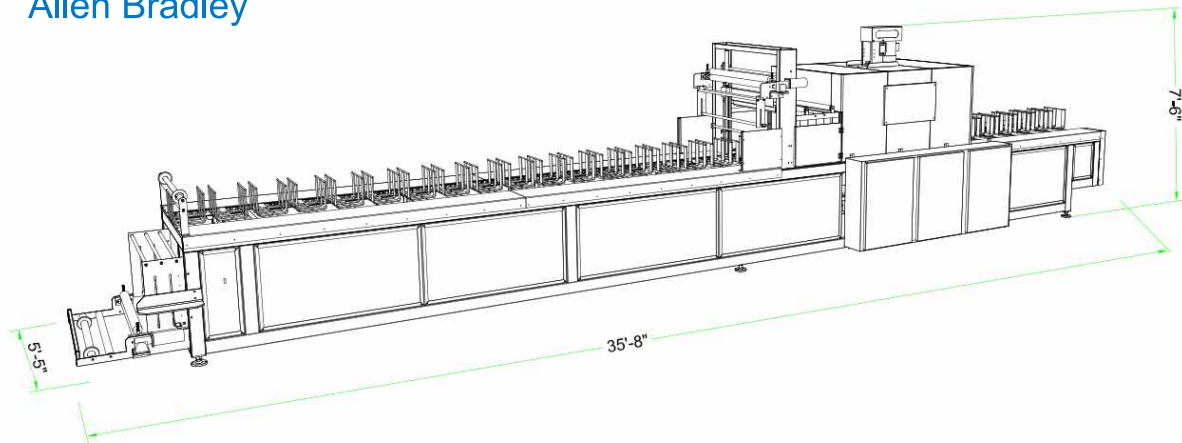
Forward. Always Forward.

Fold & Lock Tray Former

XP-F3100

Specifications

Speed	Up to 15/min.
Bundle Size	W: 16" L: 8.5" H: 10"
Power	480 VAC (other voltage options available) 80 PSI (8 CFM)
PLC and Display	Allen Bradley



888 XPAK USA
(888.972.5872)

Contact Us

XPAK USA, LLC
Headquarters
1530 Jersey Ave.
North Brunswick, NJ 08902
732.964.1600 Tel
732.964.1601 Fax
sales@xpakusa.com
xpakusa.com

Not all values may be combined.
Specifications may change without notice.
The information contained in this brochure is non-binding.

© 2018 XPAK USA, LLC.