

Mounting and connecting a Smartlink transponder to a **Brooks EIB166e** 230V Photo-Optical with Rechargeable battery backup smoke detector if required. This can be done in various ways and up to the individual electrician's discretion. **The transponder can also be taken out of its round mounting block base if desired (Designed for PSA smoke detectors when in mounting block) and mounted separately into any other small PVC enclosure junction box (NB: DO NOT use a metal enclosure) and placed elsewhere (eg: roof cavity etc.). Alternatively the existing base can be mounted onto the ceiling/wall and then mount the Brooks smoke detector to transponder base as per diagrams below. Only one transponder per premise installation should be used. WARNING: These types of connections should always be undertaken by a qualified electrician under all circumstances regardless of method selected and or mounting decisions made.**

Fig 1: Showing the connection of the transponder base to the Brooks Smoke detector.



Please make new holes in the transponder base.

Fig 2: Showing the wiring to the Brooks smoke detector terminal block.



Please refer to wiring diagram.

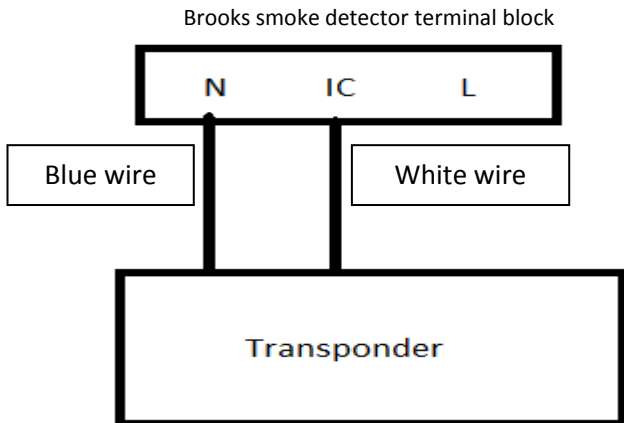
Fig's 3 & 4: Showing the mounted finished unit with the transponder and its base block if this method used.





Connecting a Smartlink 2 wire transponder to a Brooks smoke detector.

Part Number 106-177 & 100-842 (TWR)

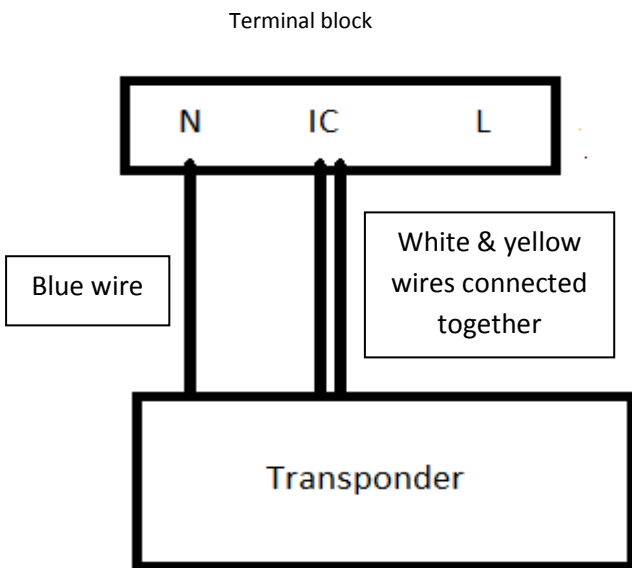


Please also refer to mounting instructions page

NB: WARNING - These types of connections should always be undertaken by a qualified electrician under all circumstances regardless of method selected or mounting decision made.

Connecting the Smartlink 3 wire Transponder to a Brooks smoke detector.

Part Number 106-293 (TWR)



Please also refer to mounting instructions page

NB: WARNING - These types of connections should always be undertaken by a qualified electrician under all circumstances regardless of method selected and/or mounting decision made.