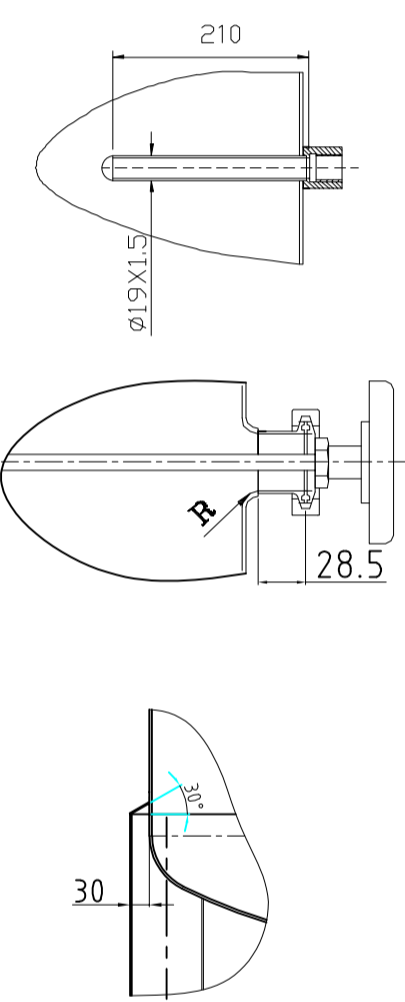


Design data

| Vessel category | Normal pressure | |
|---------------------------|-----------------|--------|
| | Vessel | Jacket |
| Description of parameter | | |
| Working pressure bar | 1.5 | ----- |
| Design pressure bar | 1.5 | ----- |
| Level tesing pressure bar | 3 | ----- |
| Medium | Beer | ----- |
| Material | SUS 304 | ----- |
| Working temperature °C | -10 to +40°C | |
| Design temperature °C | -10 to +40°C | |
| Gross volume BBL | 2.4 | |
| Net volume BBL | 2 | |
| Heat exchanger area m² | ----- | |
| Insulation material | ----- | |
| Insulation thickness mm | ----- | |
| Dry Weight KGS | 80 | |



CONNECTIONS

| MARK | DN | DESCRIPTION | CONNECT SIZE | REMARKS |
|------|-------|------------------------|--------------|---------|
| A | 2" | PVRV FERRULE | φ50.8x1.5 | ISO |
| B | 13.7" | MANWAY | φ350 | ISO |
| C | 1.5" | CIP APM FERRULE | φ38.1x1.5 | ISO |
| D | 1/2" | TEMPERATURE CONN | 1/2" | NPT |
| E | 1.5" | CO2 INLET | φ38.1x1.5 | ISO |
| F | 1.5" | TEM-GAGE | φ38.1x1.5 | ISO |
| G | 1.5" | SAMPLE FERRULE | φ38.1x1.5 | ISO |
| H | 1/2" | DIAPHRAGM ARM COUPLING | φ12.7x1.5 | ISO |
| I | 3/4" | DIAPHRAGM ARM COUPLING | φ19.05x1.5 | ISO |
| J | 1.5" | OUTLET | φ38.1x1.5 | ISO |
| | | | | |
| | | | | |
| | | | | |
| | | | | |

2BBL BRITE TANK
(Single Wall)