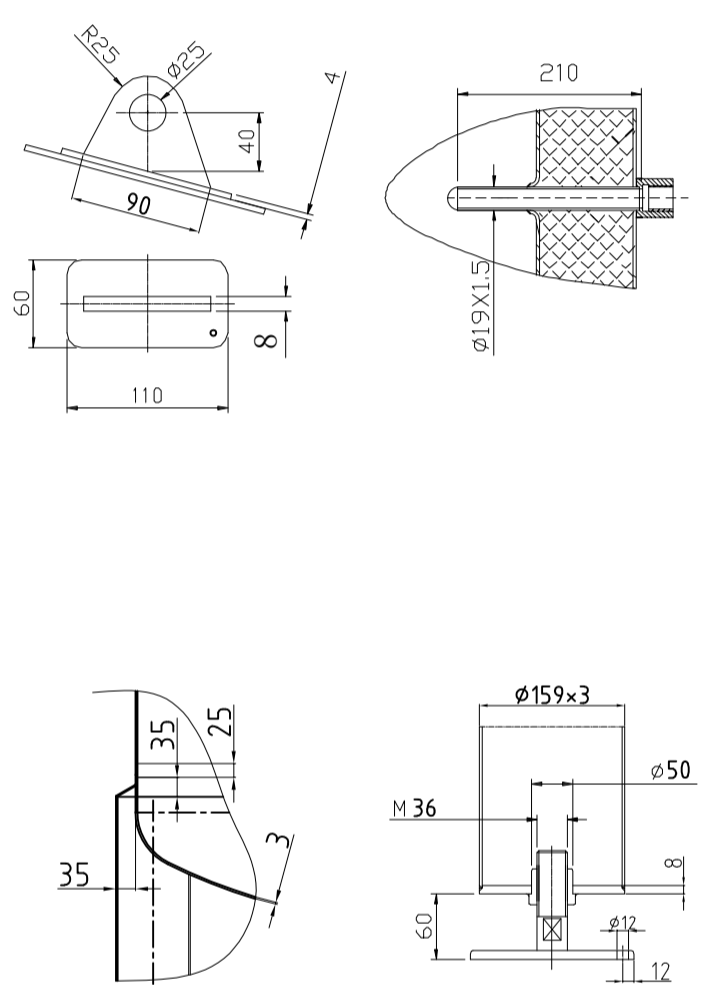


Design data

Vessel category	Normal pressure	
	Vessel	Jacket
Description of parameter		
Working pressure	bar	1.5
Design pressure	bar	1.5
Level tesing pressure	bar	3
Medium		Beer
Material		SUS 304
Working temperature	°C	-10 to +40°C
Design temperature	°C	-10 to +40°C
Gross volume	BBL	48.8
Net volume	BBL	40
Heat exchanger area	m ²	-----
Insulation material		-----
Insulation thickness	mm	-----
Dry Weight	KGS	-----



CONNECTIONS

MARK	DN	DESCRIPTION	CONNECT SIZE	REMARKS
A	2"	PVRV FERRULE	φ50.8x1.5	ISO
B	3"	PORT	φ76.2x1.5	ISO
C	1.5"	CIP APM FERRULE	φ38.1x1.5	ISO
D	1/2"	TEMPERATURE CONN	1/2"	NPT
E	1.5"	CO2 INLET	φ38.1x1.5	ISO
F	1.5"	TEM-GAGE	φ38.1x1.5	ISO
G	1.5"	SAMPLE FERRULE	φ38.1x1.5	ISO
H	1.5"	DIAN ARM COUPLING	φ38.1x1.5	ISO
I	3/4"	DIAN ARM COUPLING	φ19.05x1.5	ISO
J	2"	OUTLET	φ50.8x1.5	ISO
R	21"x17"	MANWAY	530x430	ISO

40BBL BRITE TANK
(Single Wall)