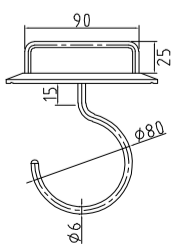
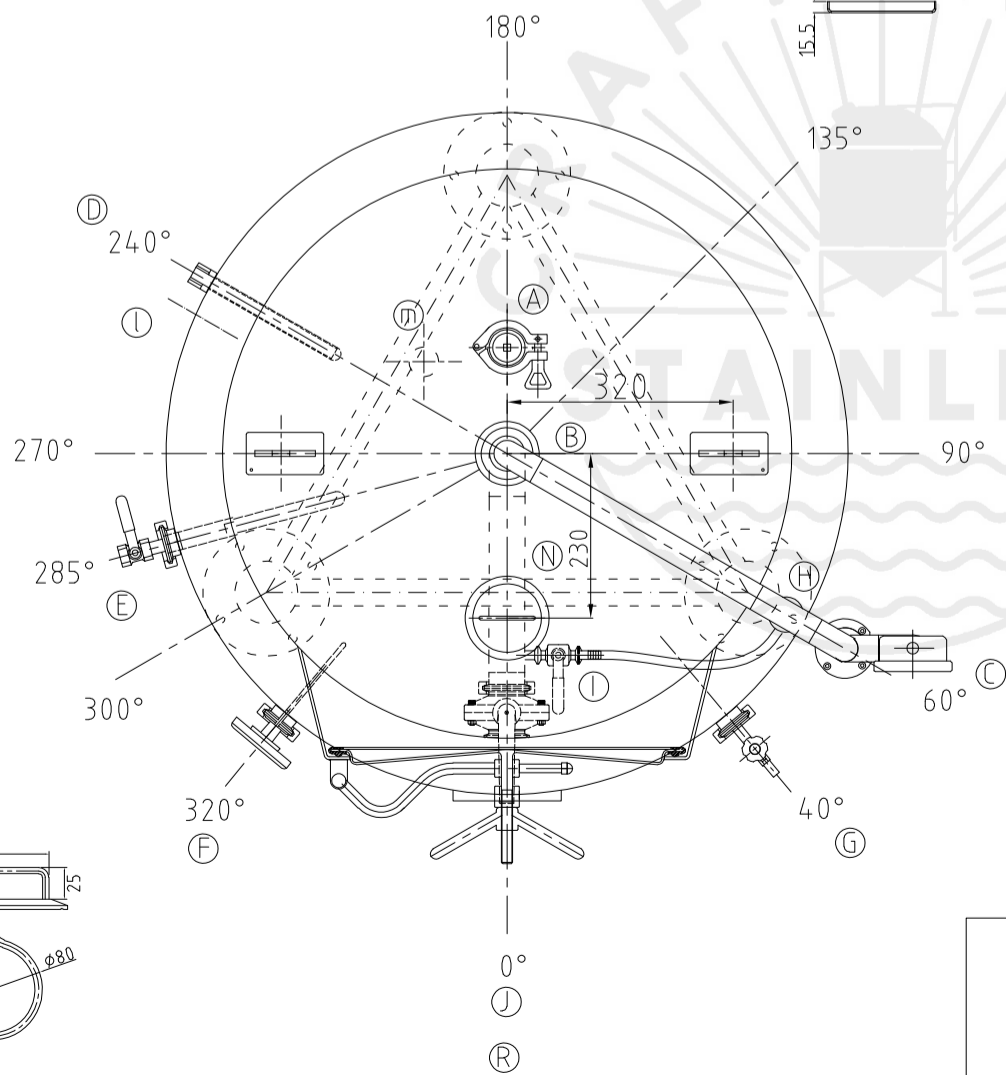
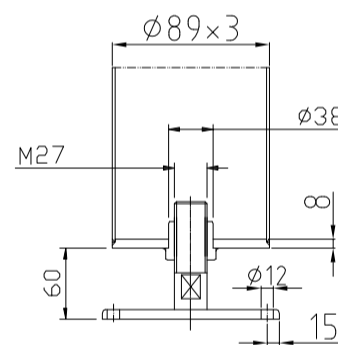
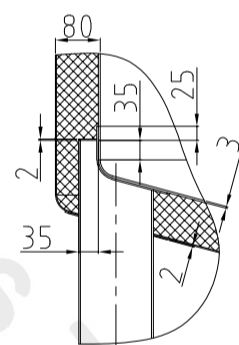
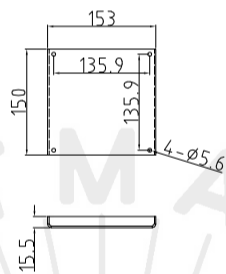
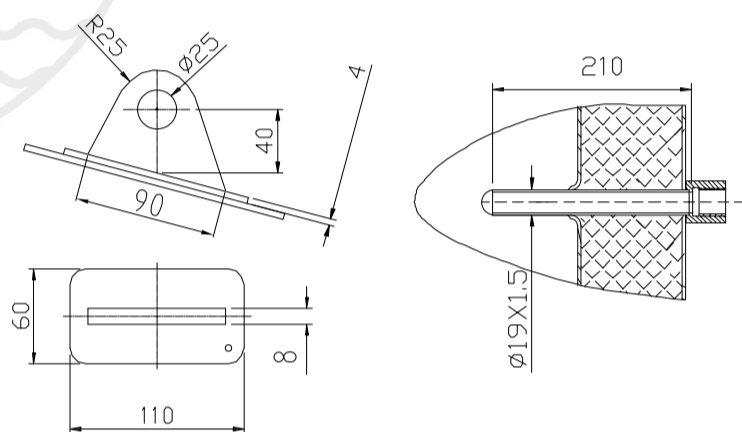
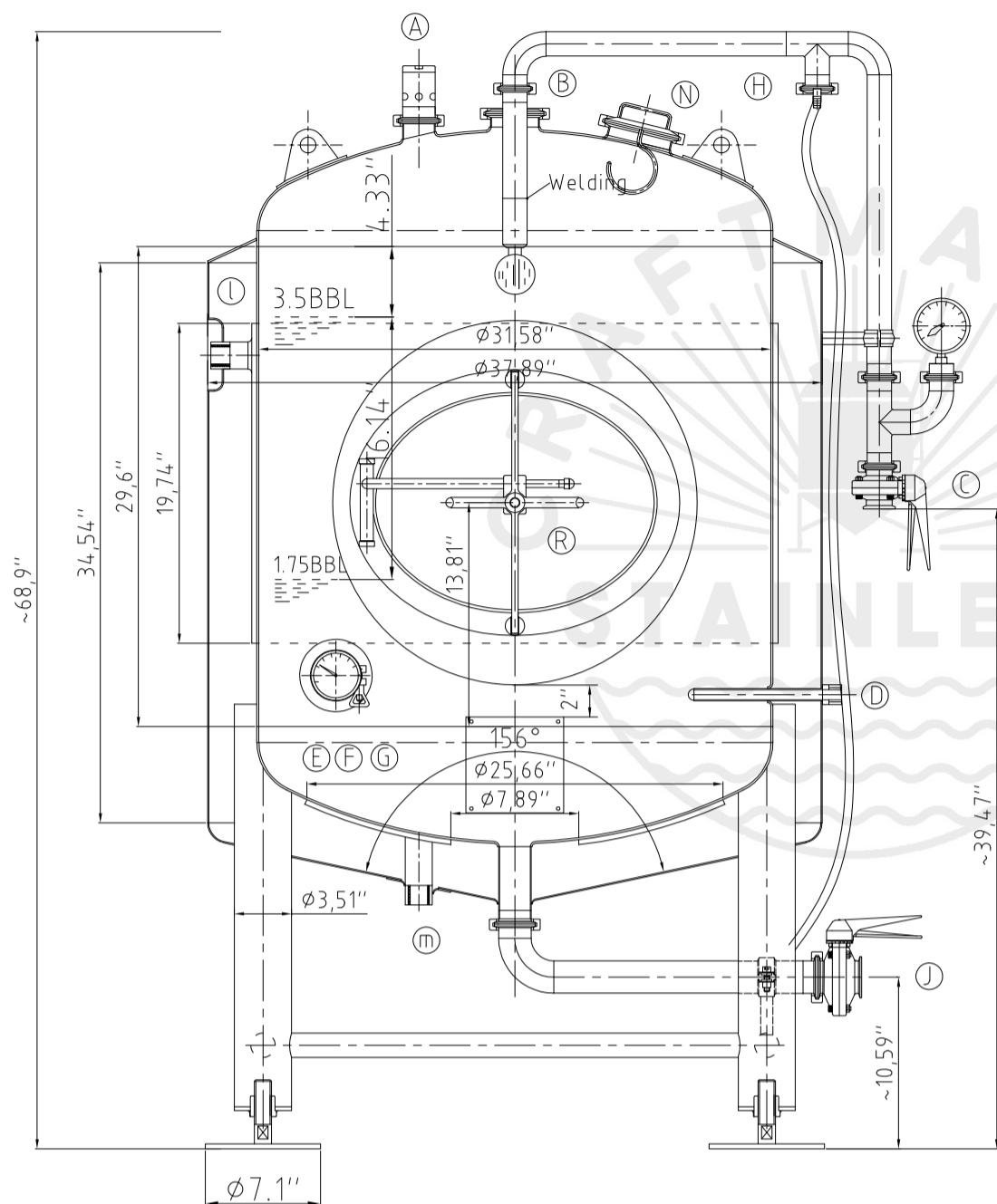


Rev.7

Design data

Description of parameter	Normal pressure	
	Vessel	Jacket
Working pressure	psi 22	45
Design pressure	psi 22	45
Level testing pressure	psi 45	60
Medium	Beer	Glycol
Material	SUS 304	SUS 304
Working temperature	°F 15 to 100	
Design temperature	°F 15 to 100	
Gross volume	BBL 4.3	
Net volume	BBL 3.5	
Heat exchanger area	m2 1.5	
Glycol Jacket Max Volume	Gallon 2	
Insulation material	Chloride Free Polyurethane	
Insulation thickness	mm 80	
Total Tank Weight Empty	lbs 390	
Total Tank Weight Full	lbs 1294	



CONNECTIONS

MARK	DN	DESCRIPTION	CONNECT SIZE	REMARKS
A	2"	PVRV FERRULE	2"	ISO
B	3"	PORT	3"	ISO
C	1.5"	CIP APM FERRULE	1.5"	ISO
D	1/2"	TEMPERATURE CONN	1/2"	NPT
E	1.5"	CO2 INLET	1.5"	ISO
F	1.5"	TEM-GAGE	1.5"	ISO
G	1.5"	SAMPLE FERRULE	1.5"	ISO
H	1.5"	DIAN ARM COUPLING	1.5"	ISO
I	3/4"	DIAN ARM COUPLING	3/4"	ISO
J	2"	OUTLET	2"	ISO
R	21"×17"	MANWAY	21"×17"	ISO
l	3/4"	COOLING OUTLET	3/4"	NPT
m	3/4"	COOLING INLET	3/4"	NPT
N	4"	HOP PORT	4"	ISO



04/28/2021

3.5BBL BRITE TANK