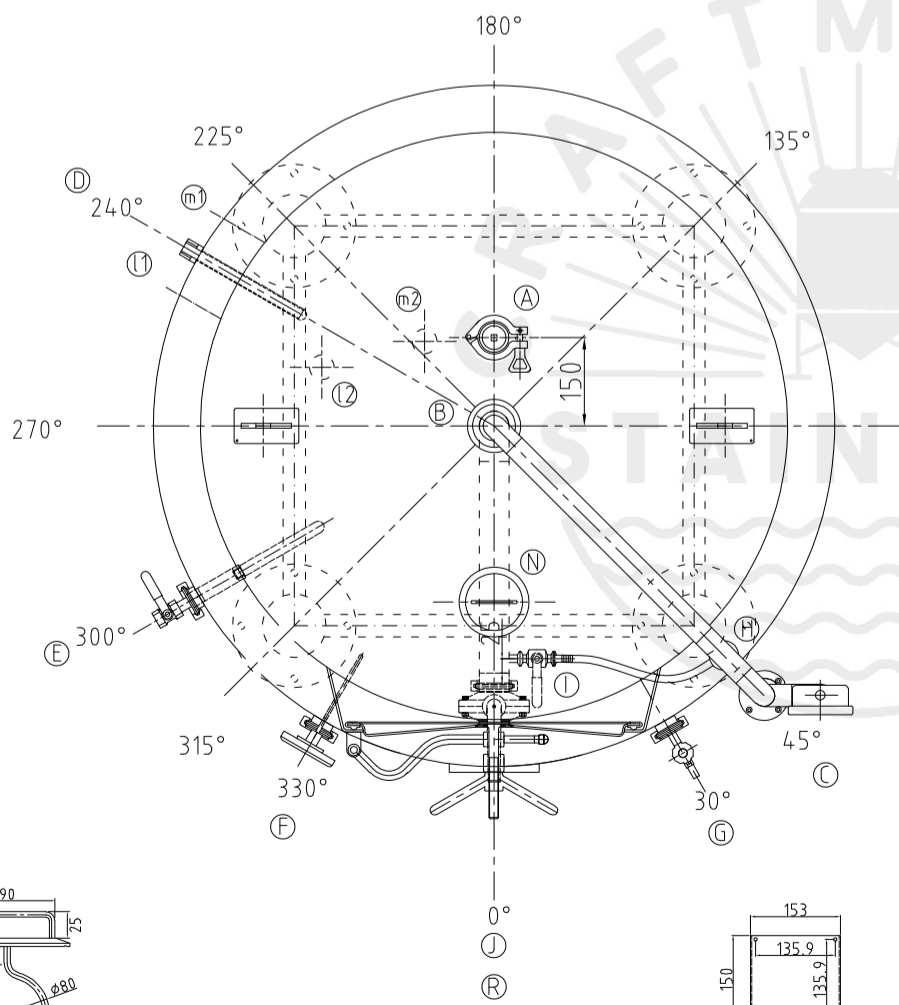
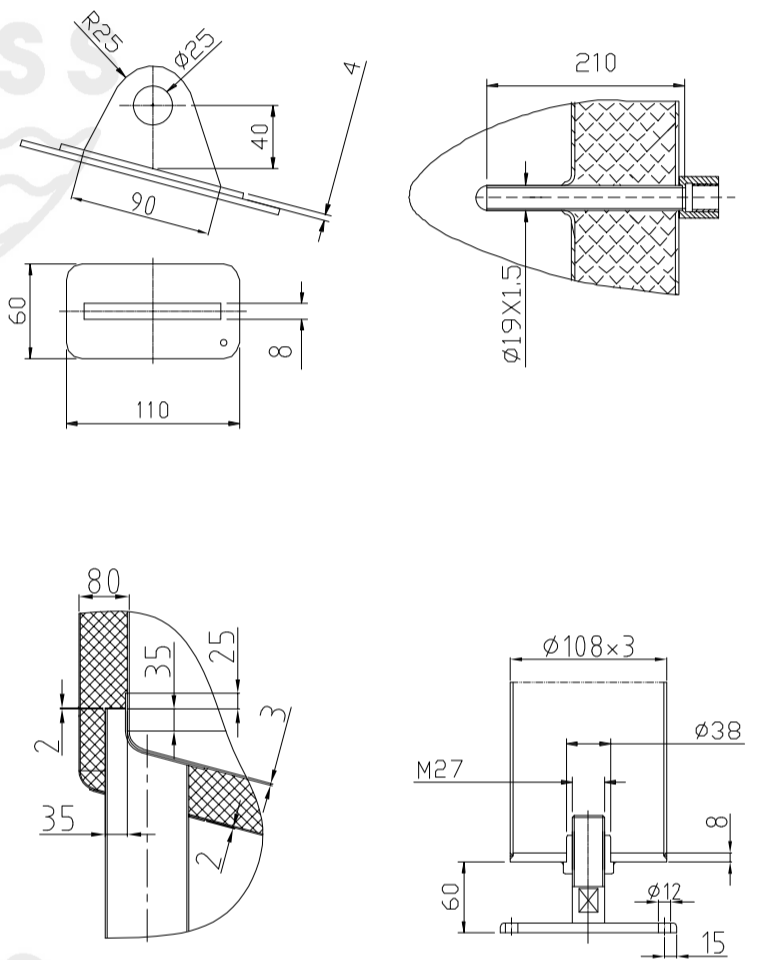
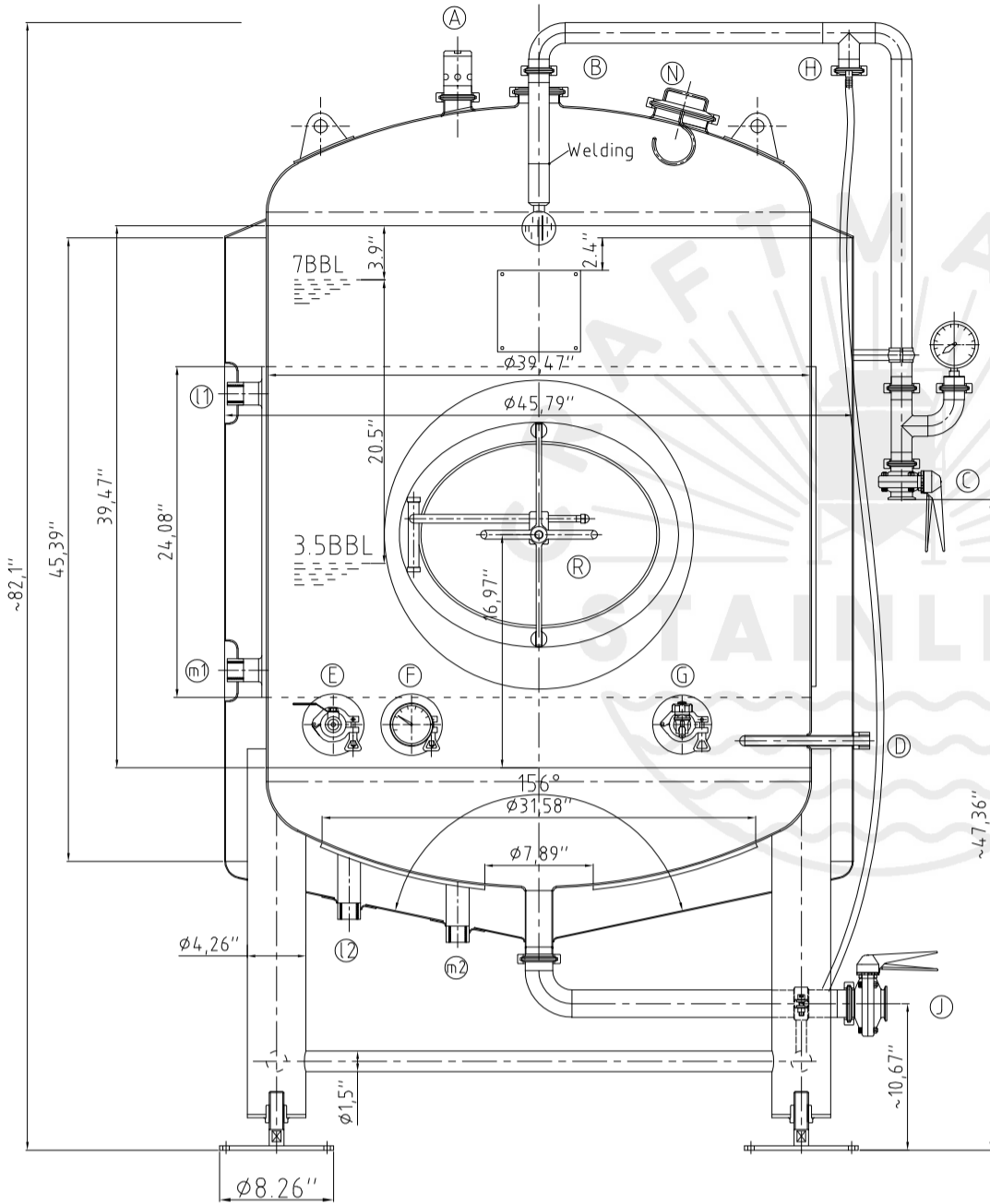


Rev.7

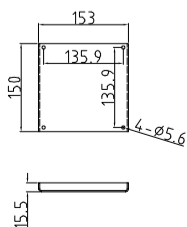
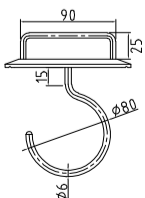
Design data

Vessel category	Normal pressure	
Description of parameter	Vessel	Jacket
Working pressure psi	22	45
Design pressure psi	22	45
Level testing pressure psi	45	60
Medium	Beer	Glycol
Material	SUS 304	SUS 304
Working temperature °F	15 to 100	
Design temperature °F	15 to 100	
Gross volume BBL	8.7	
Net volume BBL	7	
Heat exchanger area m2	2.3	
Glycol Jacket Max Volume Gallon	3.2	
Insulation material	Chloride Free Polyurethane	
Insulation thickness mm	80	
Total Tank Weight Empty lbs	640	
Total Tank Weight Full lbs	2450	



CONNECTIONS

MARK	DN	DESCRIPTION	CONNECT SIZE	REMARKS
A	2"	PVRV FERRULE	2"	ISO
B	3"	PORT	3"	ISO
C	1.5"	CIP APM FERRULE	1.5"	ISO
D	1/2"	TEMPERATURE CONN	1/2"	NPT
E	1.5"	CO2 INLET	1.5"	ISO
F	1.5"	TEM-GAGE	1.5"	ISO
G	1.5"	SAMPLE FERRULE	1.5"	ISO
H	1.5"	DIAM ARM COUPLING	1.5"	ISO
I	3/4"	DIAM ARM COUPLING	3/4"	ISO
J	2"	OUTLET	2"	ISO
R	21"x17"	MANWAY	21"x17"	ISO
l	3/4"	COOLING OUTLET	3/4"	NPT
m	3/4"	COOLING INLET	3/4"	NPT
N	4"	HOP PORT	4"	ISO



04/28/2021

7BBL BRITE TANK