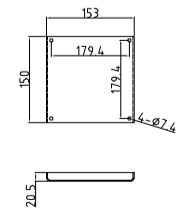
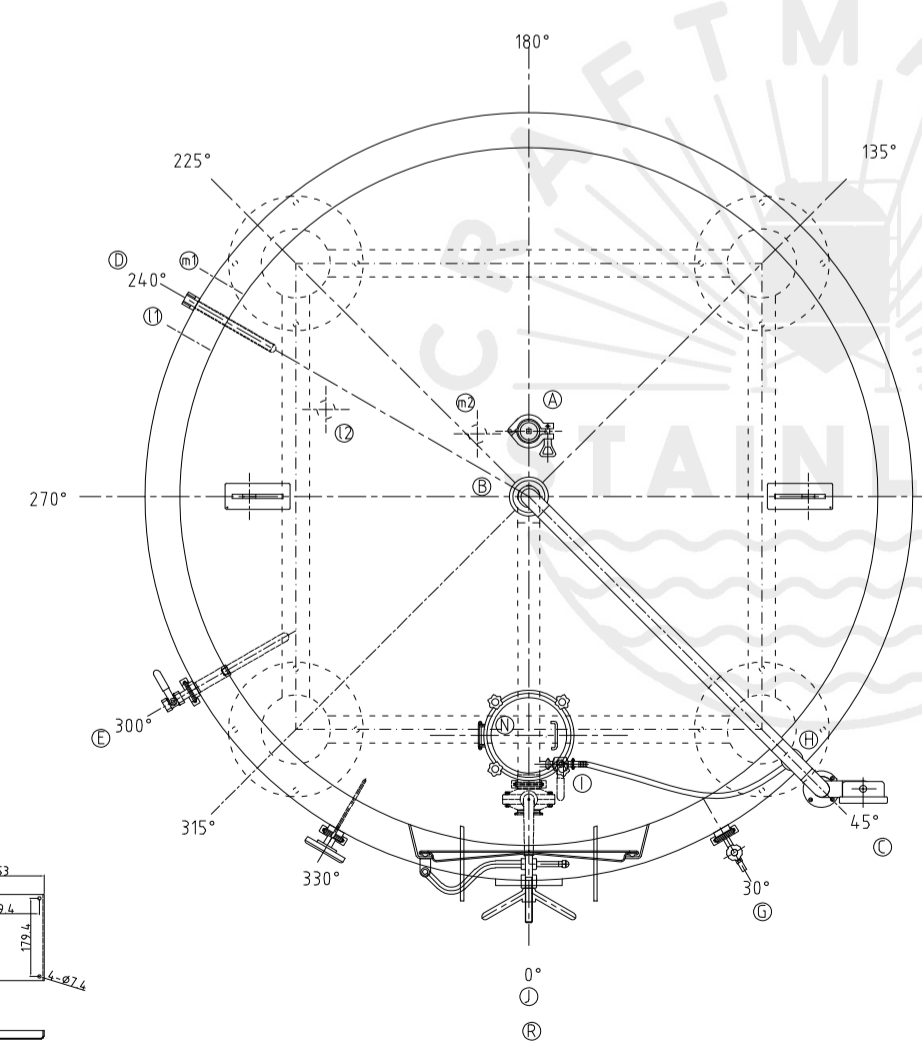
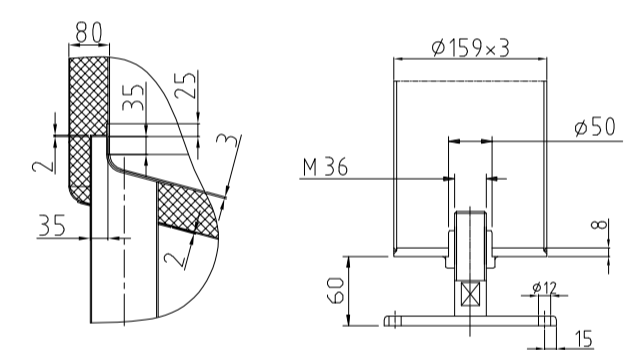
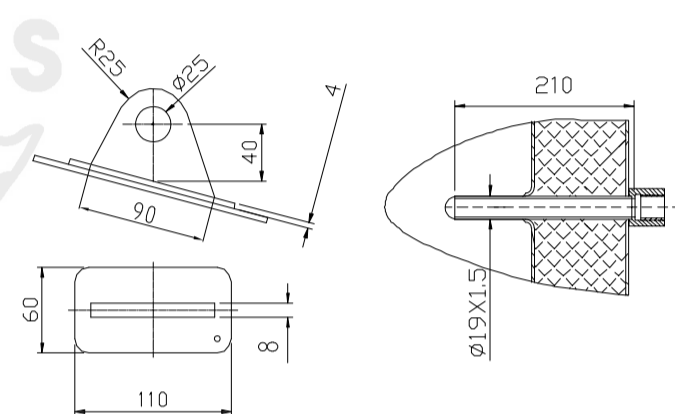
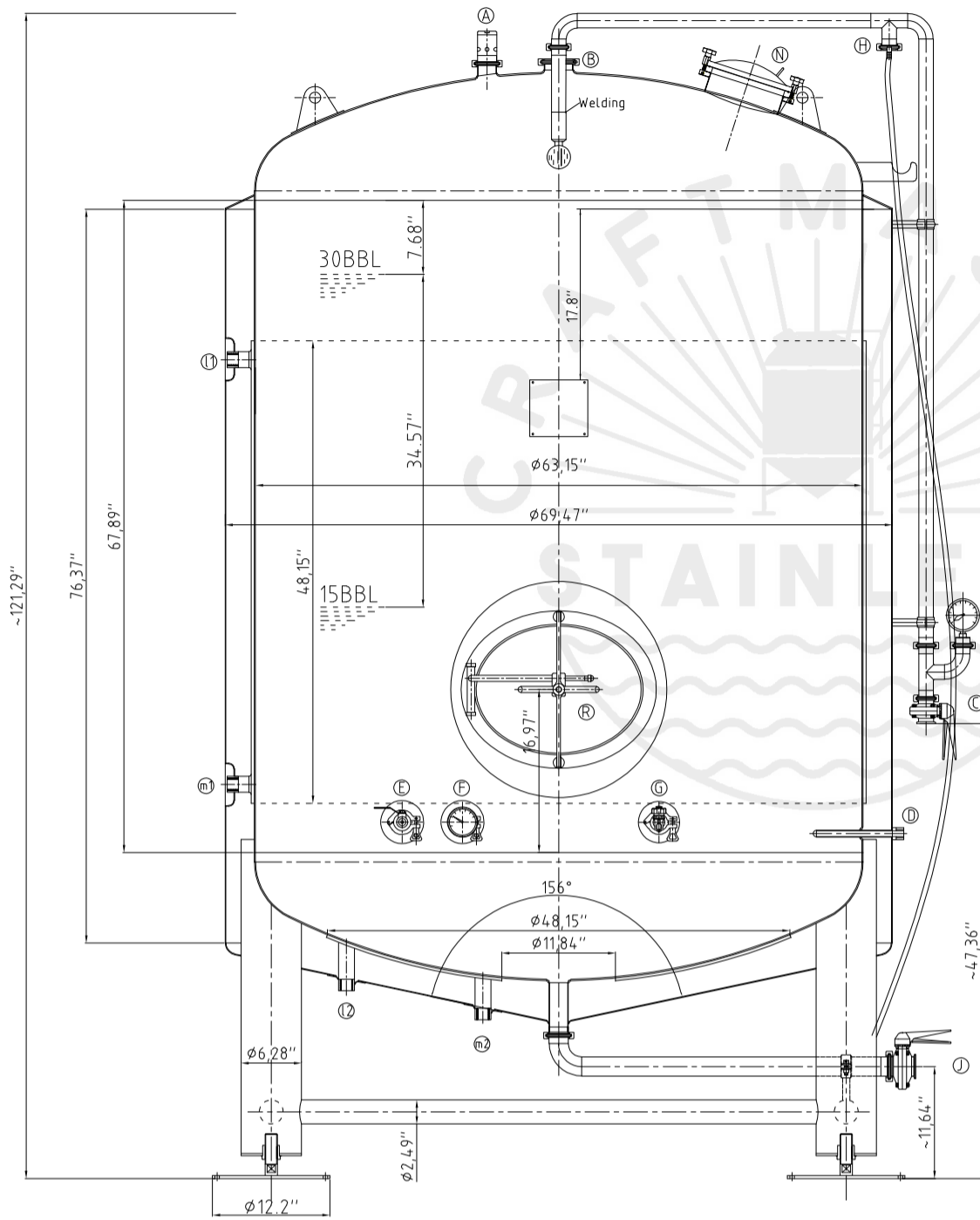


Rev.7

Design data

Description of parameter	Normal pressure	
	Vessel	Jacket
Working pressure	psi 22	psi 45
Design pressure	psi 22	psi 45
Level testing pressure	psi 45	psi 60
Medium	Beer	Glycol
Material	SUS 304	SUS 304
Working temperature	°F 15 to 100	
Design temperature	°F 15 to 100	
Gross volume	BBL 37.2	
Net volume	BBL 30	
Heat exchanger area	m2 7	
Glycol Jacket Max Volume	Gallon 9.8	
Insulation material	Chloride Free Polyurethane	
Insulation thickness	mm 80	
Total Tank Weight Empty	lbs 1740	
Total Tank Weight Full	lbs 9498	



CONNECTIONS

MARK	DN	DESCRIPTION	CONNECT SIZE	REMARKS
A	2"	PVRV FERRULE	Ø50.8x1.5	ISO
B	3"	PORT	Ø76.2x1.5	ISO
C	1.5"	CIP APM FERRULE	Ø38.1x1.5	ISO
D	1/2"	TEMPERATURE CONN	1/2"	NPT
E	1.5"	CO2 INLET	Ø38.1x1.5	ISO
F	1.5"	TEM-GAGE	Ø38.1x1.5	ISO
G	1.5"	SAMPLE FERRULE	Ø38.1x1.5	ISO
H	1.5"	DIAM ARM COUPLING	Ø38.1x1.5	ISO
I	3/4"	DIAM ARM COUPLING	Ø19.05x1.5	ISO
J	2"	OUTLET	Ø50.8x1.5	ISO
R	21"x17"	MANWAY	530x430	ISO
L	3/4"	COOLING OUTLET	3/4"	NPT
m	3/4"	COOLING INLET	3/4"	NPT
N	8"	HOP PORT	Ø203.2x3	ISO



04/28/2021

30BBL BRITE TANK