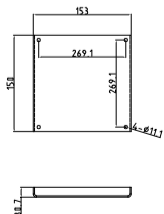
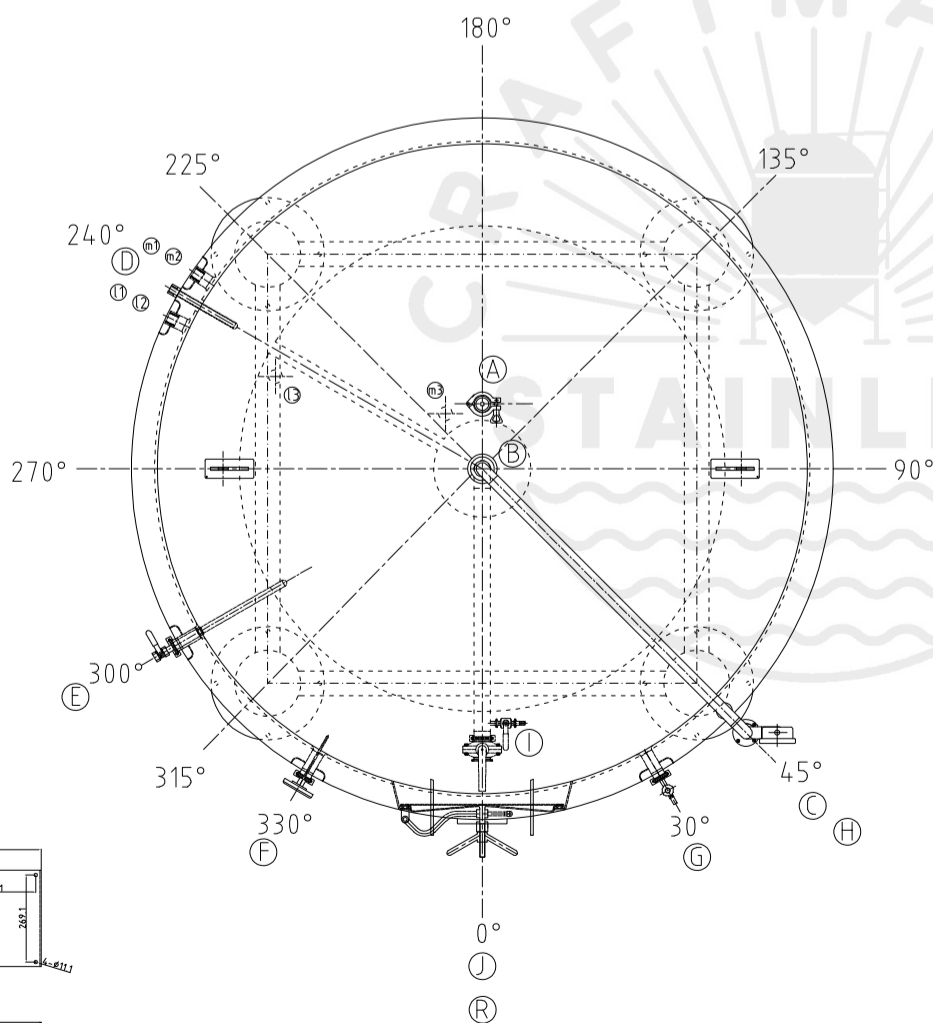
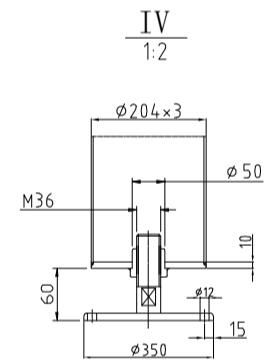
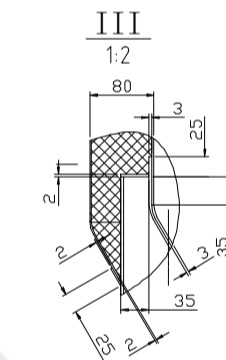
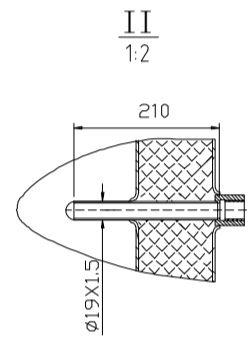
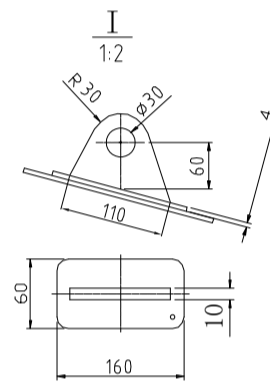
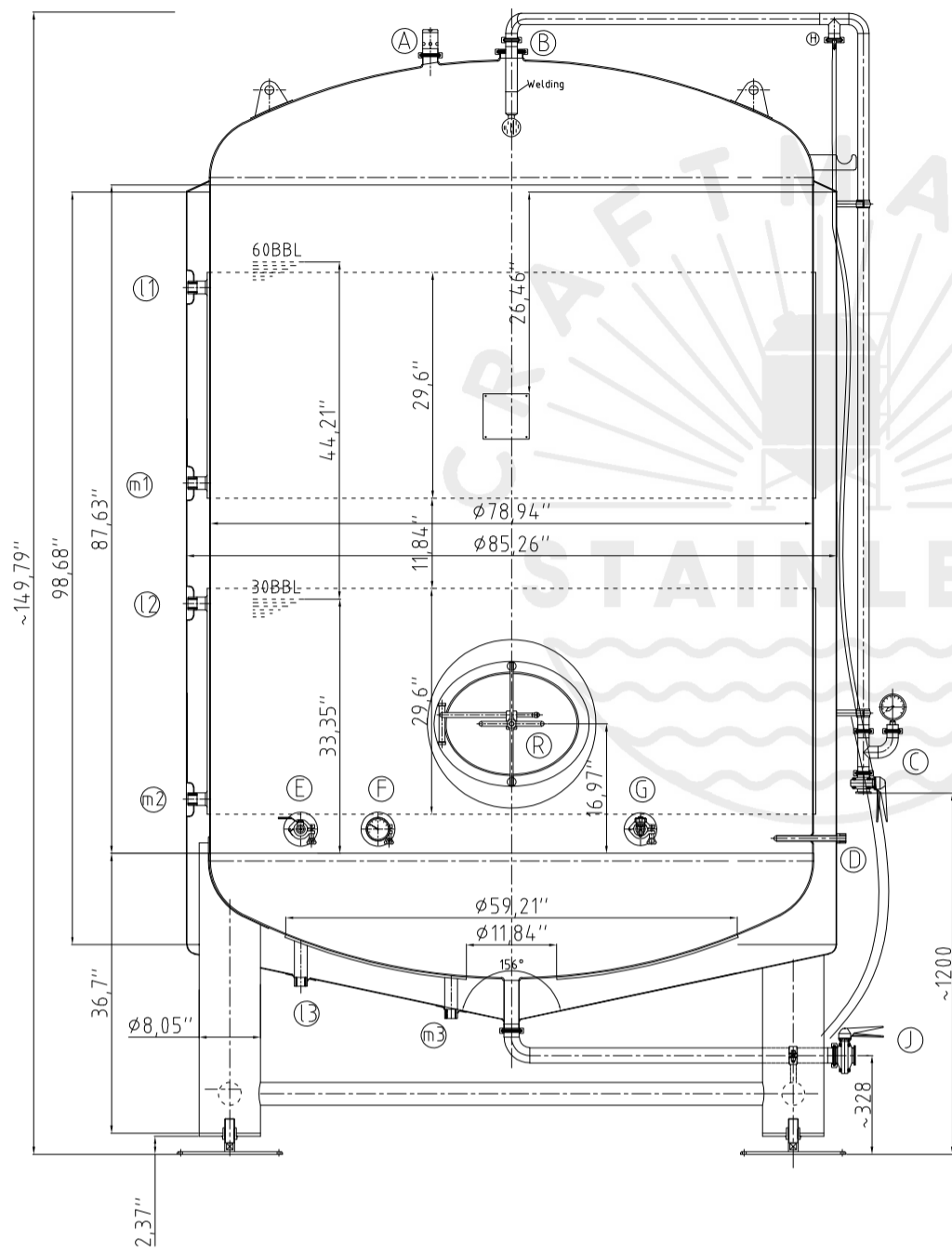


Design data

Vessel category		Normal pressure	
Description of parameter		Vessel	Jacket
Working pressure	psi	22	45
Design pressure	psi	22	45
Level testing pressure	psi	45	60
Medium		Beer	Glycol
Material		SUS 304	SUS 304
Working temperature	°F	15 to 100	
Design temperature	°F	15 to 100	
Gross volume	BBL	74	
Net volume	BBL	60	
Heat exchanger area	m ²	11	
Glycol Jacket Max Volume	Gallon	15.5	
Insulation material		Chloride Free Polyurethane	
Insulation thickness	mm	80	
Total Tank Weight Empty	lbs	2670	
Total Tank Weight Full	lbs	18186	



CONNECTIONS

MARK	DN	DESCRIPTION	CONNECT SIZE	REMARKS
A	2"	PVRV FERRULE	2"	ISO
B	3"	PORT	3"	ISO
C	15"	CIP APM FERRULE	15"	ISO
D	1/2"	TEMPERATURE CONN	1/2"	NPT
E	15"	CO2 INLET	15"	ISO
F	15"	TEM-GAGE	15"	ISO
G	15"	SAMPLE FERRULE	15"	ISO
H	15"	DIARN ARM COUPLING	15"	ISO
I	3/4"	DIARN ARM COUPLING	3/4"	ISO
J	2"	OUTLET	2"	ISO
R	21"x17"	MANWAY	21"x17"	ISO
l	3/4"	COOLING OUTLET	3/4"	NPT
m	3/4"	COOLING INLET	3/4"	NPT



05/25/2021

60BBL BRITE TANK