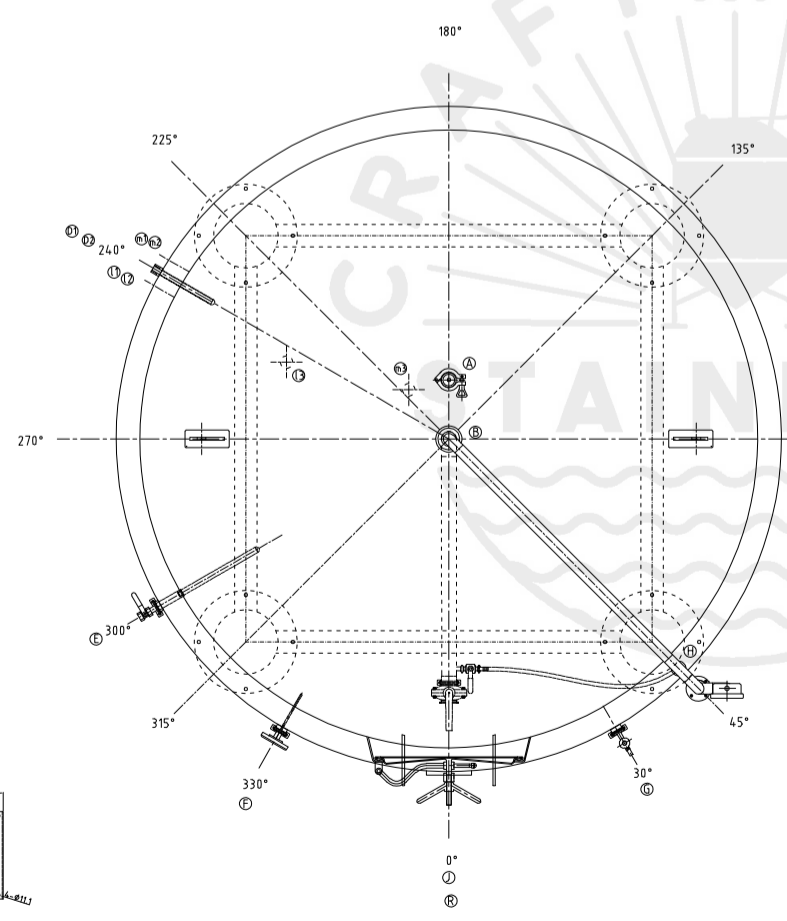
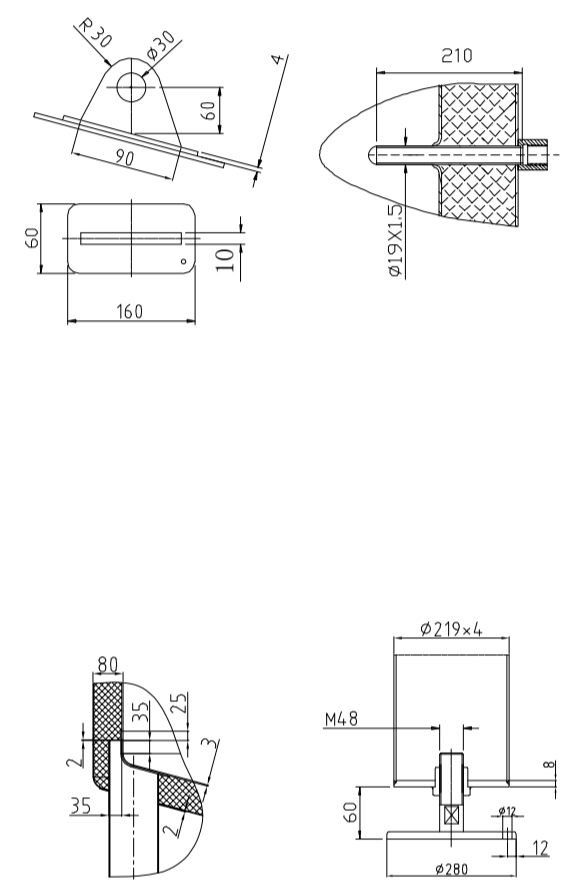


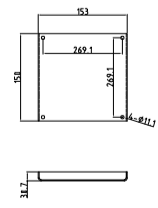
Design data

Description of parameter	Normal pressure	
	Vessel	Jacket
Working pressure	psi 22	psi 45
Design pressure	psi 22	psi 45
Level testing pressure	psi 45	psi 60
Medium	Beer	Glycol
Material	SUS 304	SUS 304
Working temperature	°F 15 to 100	
Design temperature	°F 15 to 100	
Gross volume	BBL 107	
Net volume	BBL 90	
Heat exchanger area	m <sup>2</sup> 16.5	
Glycol Jacket Max Volume	Gallon 23.2	
Insulation material	Chloride Free Polyurethane	
Insulation thickness	mm 80	
Total Tank Weight Empty	lbs 3700	
Total Tank Weight Full	lbs 26974	



CONNECTIONS

MARK	DN	DESCRIPTION	CONNECT SIZE	REMARKS
A	2"	PVRV FERRULE	2"	ISO
B	3"	PORT	3"	ISO
C	1.5"	CIP APM FERRULE	1.5"	ISO
D	1/2"	TEMPERATURE CONN	1/2"	NPT
E	1.5"	CO2 INLET	1.5"	ISO
F	1.5"	TEM-GAGE	1.5"	ISO
G	1.5"	SAMPLE FERRULE	1.5"	ISO
H	1.5"	DIAM ARM COUPLING	1.5"	ISO
I	3/4"	DIAM ARM COUPLING	3/4"	ISO
J	2"	OUTLET	2"	ISO
R	21"x17"	MANWAY	21"x17"	ISO
l	3/4"	COOLING OUTLET	3/4"	NPT
m	3/4"	COOLING INLET	3/4"	NPT



05/25/2021

90BBL BRITE TANK