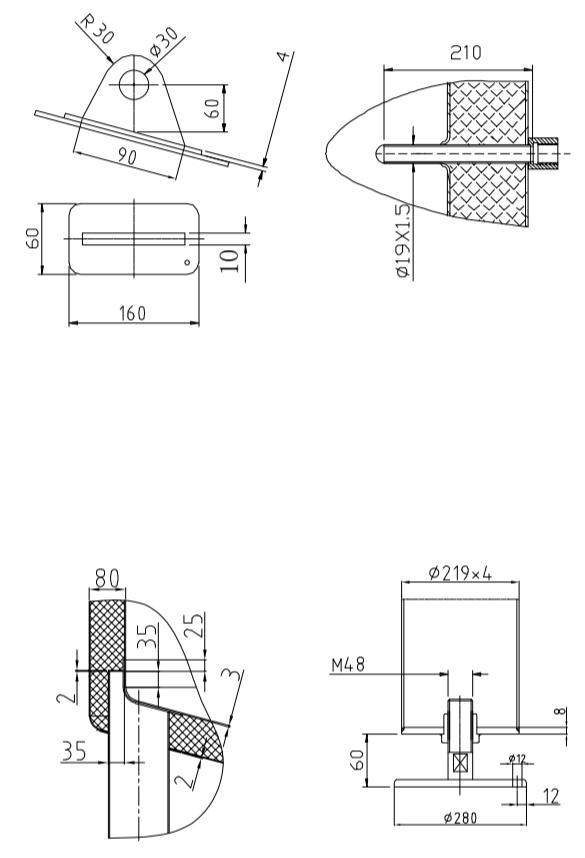



Design data		
Vessel category	Normal pressure	
Description of parameter	Vessel	Jacket
Working pressure	psi	22 / 45
Design pressure	psi	22 / 45
Level testing pressure	psi	45 / 60
Medium	Beer	Glycol
Material	SUS 304	SUS 304
Working temperature	°F 15 to 100	
Design temperature	°F 15 to 100	
Gross volume	BBL	120
Net volume	BBL	100
Heat exchanger area	m2	17.5
Glycol Jacket Max Volume	Gallon	24.6
Insulation material	Chloride Free Polyurethane	
Insulation thickness	mm	80
Total Tank Weight Empty	lbs	4100
Total Tank Weight Full	lbs	29960



CONNECTIONS				
MARK	DN	DESCRIPTION	CONNECT SIZE	REMARKS
A	2"	PVRV FERRULE	2"	ISO
B	3"	PORT	3"	ISO
C	15"	CIP APM FERRULE	15"	ISO
D	1/2"	TEMPERATURE CONN	1/2"	NPT
E	15"	CO2 INLET	15"	ISO
F	15"	TEM-GAGE	15"	ISO
G	15"	SAMPLE FERRULE	15"	ISO
H	15"	DIAN ARM COUPLING	15"	ISO
I	3/4"	DIAN ARM COUPLING	3/4"	ISO
J	2"	OUTLET	2"	ISO
R	21"x17"	MANWAY	21"x17"	ISO
L	3/4"	COOLING OUTLET	3/4"	NPT
M	3/4"	COOLING INLET	3/4"	NPT



05/25/2021

100BBL BRITE TANK