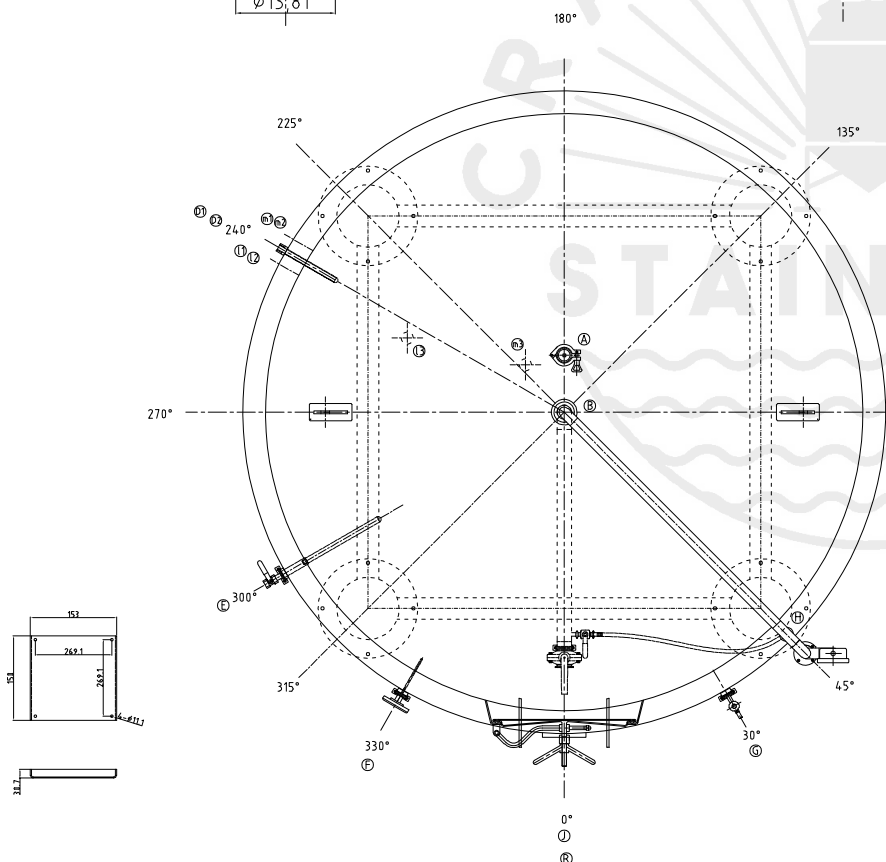
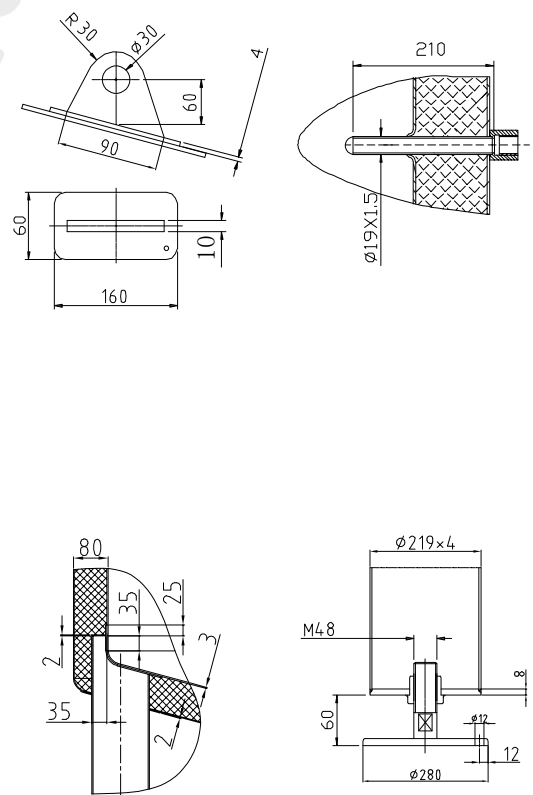


| Design data | | |
|---------------------------------|----------------------------|---------|
| Vessel category | Normal pressure | |
| | Vessel | Jacket |
| Description of parameter | Vessel | Jacket |
| Working pressure psi | 22 | 45 |
| Design pressure psi | 22 | 45 |
| Level testing pressure psi | 45 | 60 |
| Medium | Beer | Glycol |
| Material | SUS 304 | SUS 304 |
| Working temperature °F | 15 to 100 | |
| Design temperature °F | 15 to 100 | |
| Gross volume BBL | 142.3 | |
| Net volume BBL | 120 | |
| Heat exchanger area m2 | 21 | |
| Glycol Jacket Max Volume Gallon | 29.6 | |
| Insulation material | Chloride Free Polyurethane | |
| Insulation thickness mm | 80 | |
| Total Tank Weight Empty lbs | 4650 | |
| Total Tank Weight Full lbs | 35682 | |



| CONNECTIONS | | | | |
|-------------|---------|-------------------|--------------|---------|
| MARK | DN | DESCRIPTION | CONNECT SIZE | REMARKS |
| A | 2" | PVRV FERRULE | 2" | ISO |
| B | 3" | PORT | 3" | ISO |
| C | 1.5" | CIP APM FERRULE | 1.5" | ISO |
| D | 1/2" | TEMPERATURE CONN | 1/2" | NPT |
| E | 1.5" | CO2 INLET | 1.5" | ISO |
| F | 1.5" | TEM-GAGE | 1.5" | ISO |
| G | 1.5" | SAMPLE FERRULE | 1.5" | ISO |
| H | 1.5" | DIAM ARM COUPLING | 1.5" | ISO |
| I | 3/4" | DIAM ARM COUPLING | 3/4" | ISO |
| J | 2" | OUTLET | 2" | ISO |
| R | 21"x17" | MANWAY | 21"x17" | ISO |
| l | 3/4" | COOLING OUTLET | 3/4" | NPT |
| m | 3/4" | COOLING INLET | 3/4" | NPT |



05/25/2021

120BBL BRITE TANK