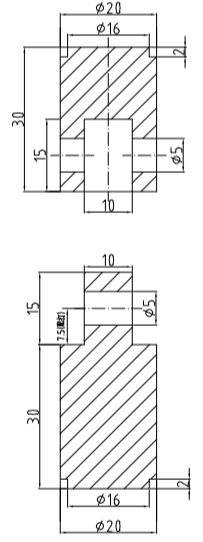
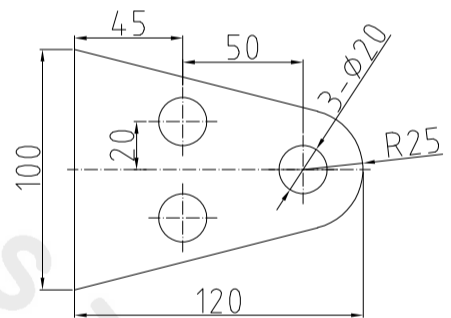
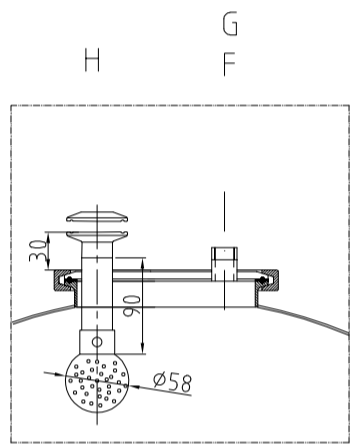


Design data	
Vessel category	Normal pressure
Description of parameter	Vessel
Working pressure	psi 22
Design pressure	psi 22
Level testing pressure	psi 45
Medium	Beer
Material	SUS 304
Working temperature	°F 15 to 100
Design temperature	°F 15 to 100
Gross volume	BBL 1.12
Net volume	BBL 1
Heat exchanger area	m2 - - - - -
Glycol Jacket Max Volume	Gallon - - - - -
Insulation material	- - - - -
Insulation thickness	mm - - - - -
Total Tank Weight Empty	lbs 88
Total Tank Weight Full	lbs 346



CONNECTIONS				
MARK	DN	DESCRIPTION	CONNECT SIZE	REMARKS
A	15"	YEAST OUT	15"	ISO
B	1.5"-1"	PORT	1.5"-1"	ISO
C	1"	THERMOMETER	1"	ISO
D	8"	HAND HOLE	8"	ISO
E	1/4"	BALL VALVE	1/4"	NPT
F	1/4"	PVRV	1/4"	NPT
G	1/4"	PRESSURE GAUGE	1/4"	NPT
H	1"	CIP	1"	ISO

	06/23/2021
	1BBL brink