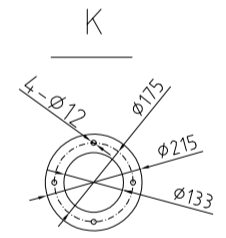
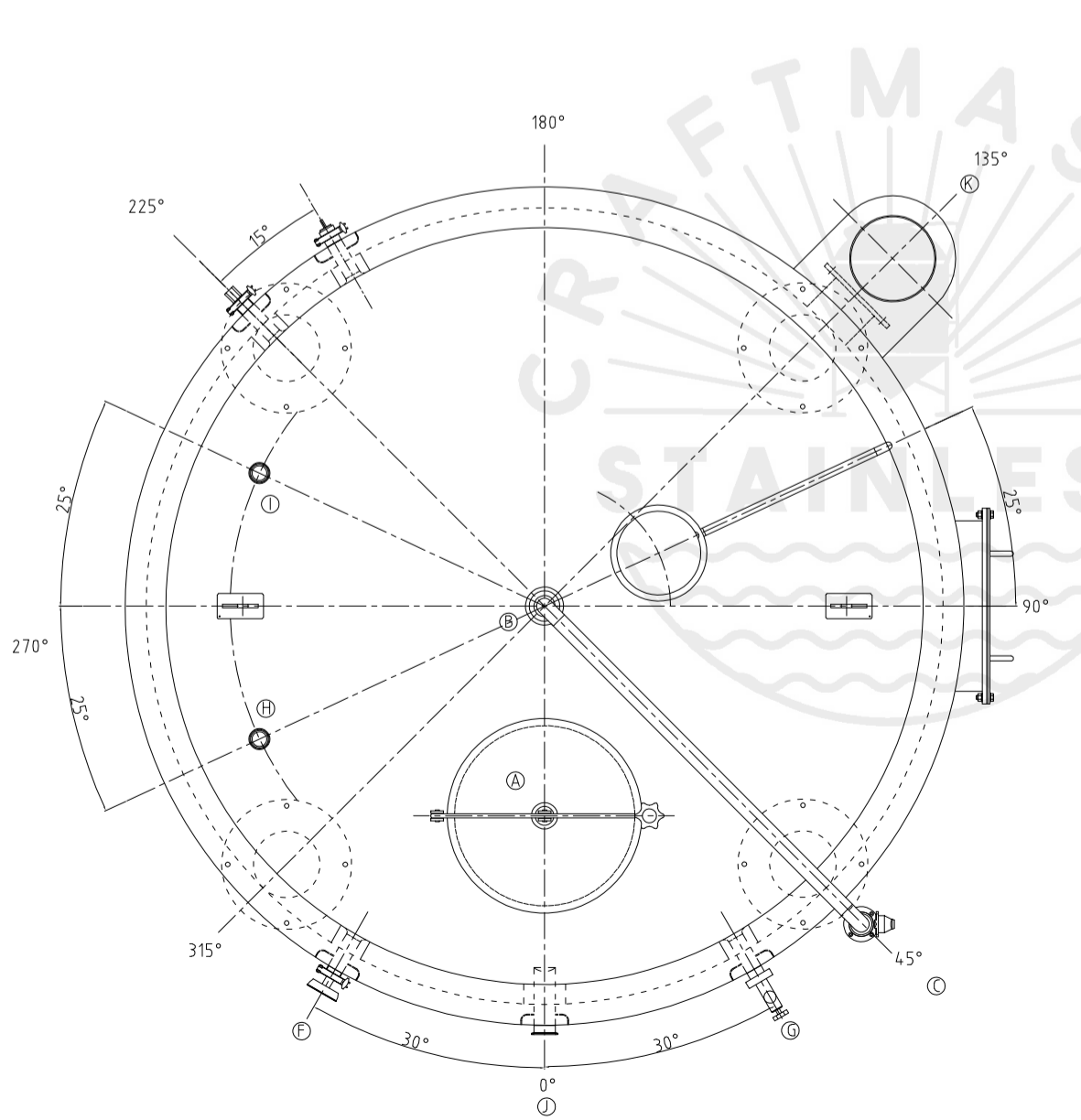
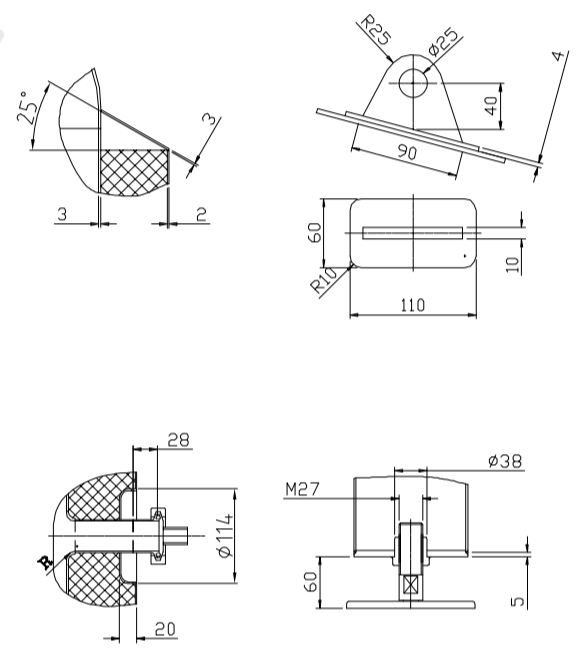


Design data	
Vessel category	Normal pressure
Description of parameter	Vessel
Working pressure	psi ATMP
Design pressure	psi ATMP
Level testing pressure	psi ATMP
Medium	Water
Material	SUS 304
Working temperature	°F 15 to 250
Design temperature	°F 15 to 250
Gross volume	BBL 36.7
Net volume	BBL 30
Heat exchanger area	m2 -----
Glycol Jacket Max Volume	Gallon -----
Insulation material	Rock wool
Insulation thickness	mm 100
Total Tank Weight Empty	lbs 2760
Total Tank Weight Full	lbs 10515



CONNECTIONS				
MARK	DN	DESCRIPTION	CONNECT SIZE	REMARKS
A	Ø17"	Manway	Ø17"	ISO
B	3"	PORT	3"	ISO
C	15"	CIP APM FERRULE	15"	ISO
D	15"	TEMPERATURE CONN	15"	ISO
E	Ø4.25"	EXHAUST CAP	Ø4.25"	ISO
F	15"	TEM-GAGE	15"	ISO
G	15"	LEVEL GAGE	15"	ISO
H	15"	INLET	15"	ISO
I	15"	INLET	15"	ISO
J	15"	OUTLET	15"	ISO
K	Ø5.2"	Burner flange	Ø5.2"	ISO
N	15"	Anti Dry Burning Sensor	15"	ISO

	12/21/2021
	30BBL HLT(FIRED)