



## ArmourFence™ Palisade High Security Fencing

### Seriously Secure

The design of the ArmourFence™ Palisade System makes intrusion extremely difficult. An elegant High Security Fence that is widely regarded to be the most effective security solution available.

The curved 3mm thick 'D profile' Palisade pales resist cutting and bending while the closely spaced horizontal rails acts as a significant deterrent against attempted intrusion and criminal damage making the ArmourFence™ a formidable perimeter defence system that is reliable and secure.

Manufactured in New Zealand by Hampden to both New Zealand and international standards, ArmourFence™ Palisade is ideal for a range of applications where security and aesthetics cannot be compromised.

**And now Hampden offers a PS1 compliant design to our range across all standard heights.**

- **High Security** - Resists cutting and ramming
- **Tamper Proof** - Security fixings that cannot be removed
- **Strong** - High quality steel for all components
- **Durable** - Galvanised steel finish requires no maintenance
- **Stylish** - Colour options available

### Features

Specifically designed and manufactured to meet the demands of critical infrastructure, high value sites and locations of strategic importance.

Highly versatile, Armourfence™ Palisade fencing is available in a wide range of heights and materials to suit almost every terrain and security needs.

The cold rolled pales are permanently secured to the horizontal members to form a high security, solid steel barrier. Highly resistant against cutting methods, dismantling, or being forcefully deformed

Due to its design the ArmourFence™ Palisade can cope with undulating ground conditions and slopes of up to 45 degrees, with the ability to 'hug' the contours of the ground this eliminates steps and provides a consistent security profile.

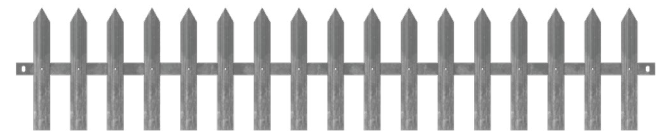
Rail positions have been positioned and standardised for the highest level of security for both 2 and 3 rail fence systems

All steel is Hot Dip Galvanised and can be power coated

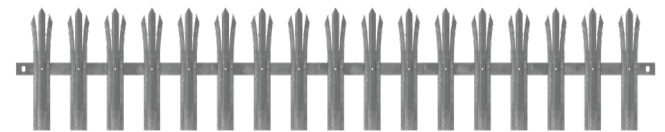
### A Choice of Configurations



**Flat top** - offering a more visual appealing look



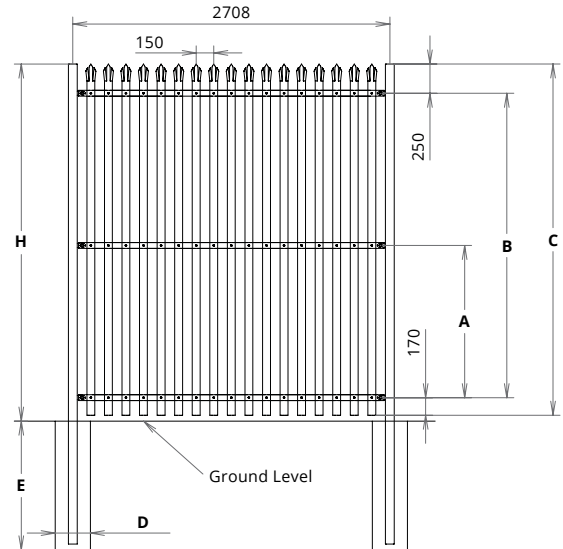
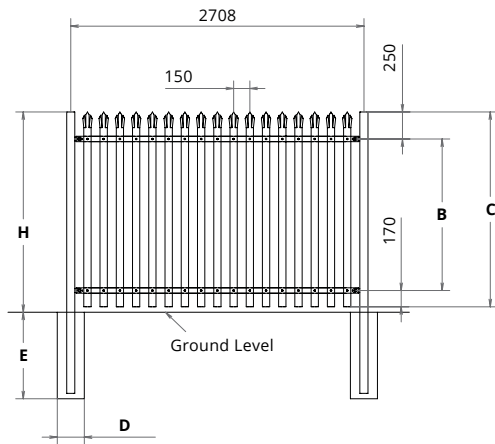
**Spearhead** - profiles are predominantly used in commercial or light industrial applications



**Trident** - profile significantly increases the deterrent level for higher security applications.



# ArmourFence™ Palisade High Security Fencing



(H) Fence Height	Post (SHS)		Pale Thickness	Rails (EA)		A	B	C	D	E		
	Std	PS1		Std	PS1					Std	PS1	
2 Rails	1.8m	65x3mm	65x3mm	3mm	50x5mm	65x5mm	-	1330mm	1750mm	300mm	800mm	1200mm
	2m	75x3mm	75x4mm	3mm	50x5mm	65x5mm	-	1530mm	1950mm	300mm	800mm	1500mm
	2.4m	75x3mm	89x3.5mm	3mm	50x5mm	65x5mm	-	1930mm	2350mm	300mm	900mm	1500mm
3 Rails	2.7m	75x3mm	89x5mm	3mm	50x5mm	65x5mm	1115mm	2230mm	2650mm	300mm	1100mm	1800mm
	3m	75x3mm	89x6mm	3mm	50x5mm	65x5mm	1265mm	2530mm	2950mm	300mm	1100mm	1800mm

## Specifications

**Standard Fence Heights:** 1.8m, 2m, 2.4m, 2.7m and 3m.

### Design Types:

Hampden offers two designs options:

- Armourfence™ standard design - 10-year warranty
- Armourfence™ PS1 compliant design - 10-year warranty

The PS1 complaint design has been developed for applications where compliance to the building code is required, all the components meet the New Zealand Building Code, NZBC B1 and F4 requirement as barrier. **PS1 Document can be supplied upon request.**

### Fixings:

- Tamper-proof fasteners, cannot be removed. Palisade fixed to rails with Huck Bolts, rails fixed to posts with bolts and sheer nuts. This is the most secure method available. See Tamper-Proof Fasteners for other fixing options.

You will generally only need a building consent for fences over 2.5m. However you may still need a resource consent for some fences below this height. Contact local council to check the specific height restrictions and design requirements for your local area.

## Additional security options, optional:

Razor wire, barb wire, or Electric wire

To enhancement the security and really make intruders think twice about their actions

Crash Rated Palisade options also available - tested to ASTM F2656 standards



**For more specifications and information please visit [www.hampden.co.nz](http://www.hampden.co.nz) or call the Hampden team.**