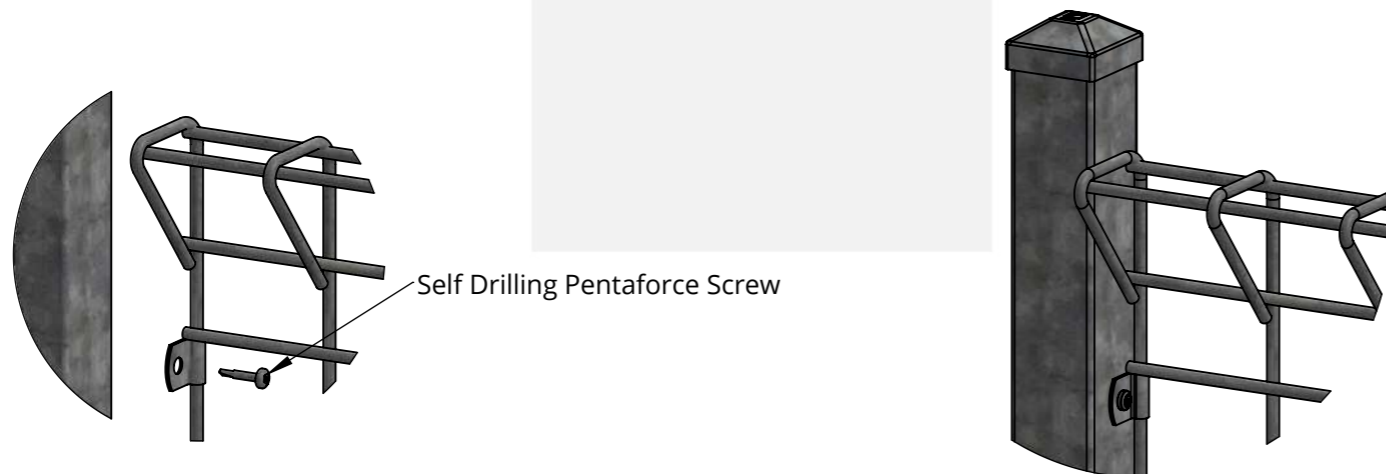


Fixing Detail



Specs :

- Post Size: SHS 50 x 3mm
- Horizontal Steel Wire: 6.5mm
- Vertical Steel Wire: 6.5mm

Description :

Folded Rigid Wire Panel 1200h

Material :

Black Steel

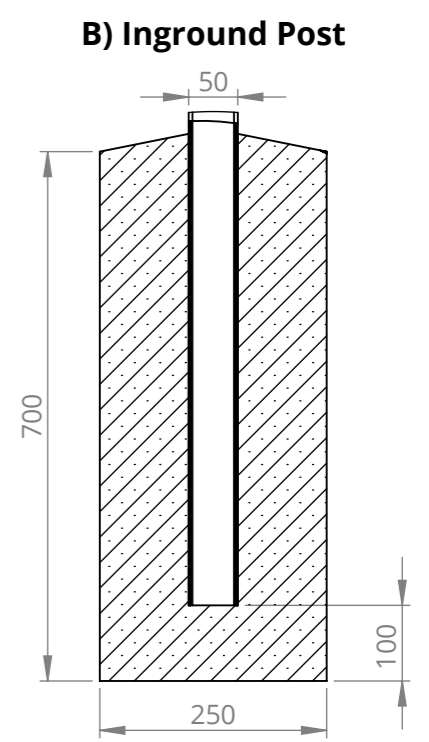
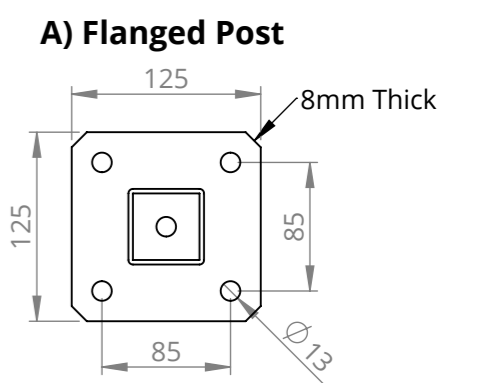
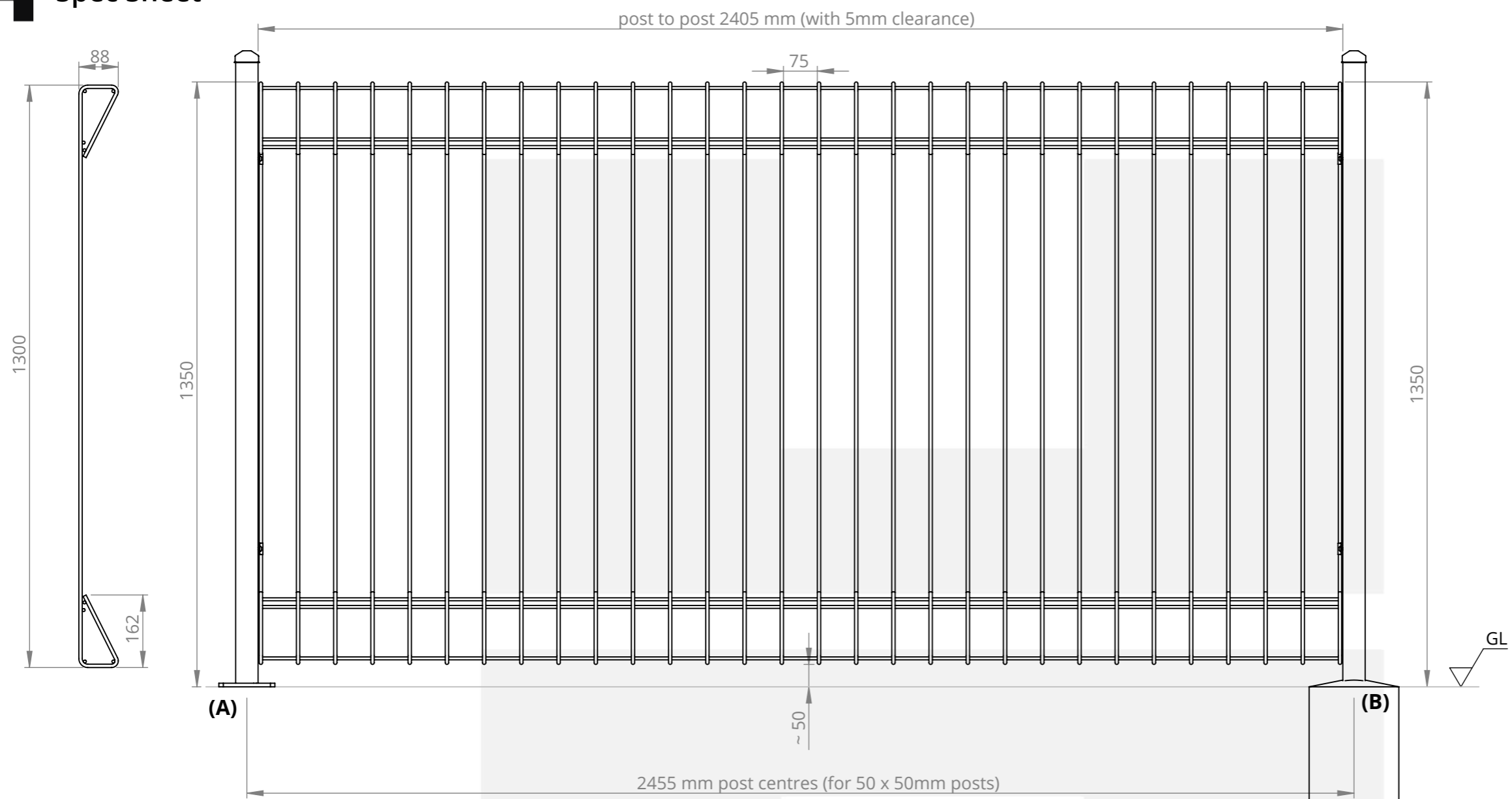
Finish :

Hot Dip Galvanised to AS/NZS 4680:2006

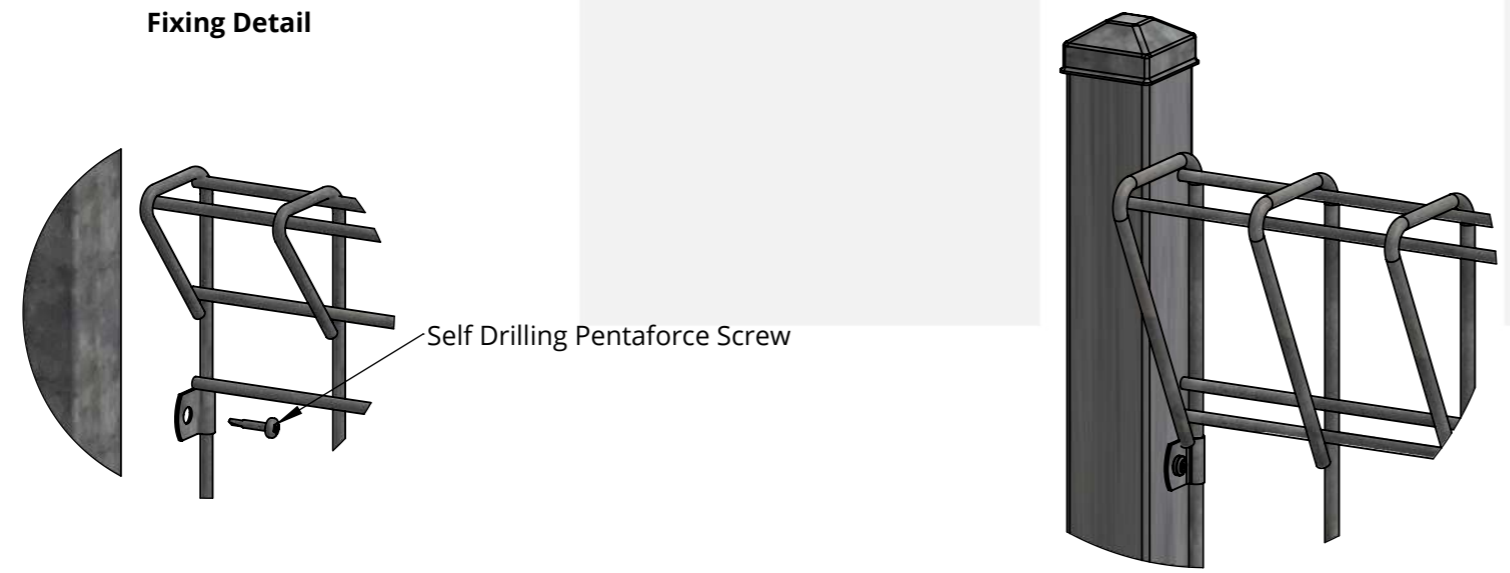
Panel Weight : 18 Kg **Drawn :** DJ

Notes :

- Footing dimensions subject to change to suit ground conditions
- Powder Coated Finish Available

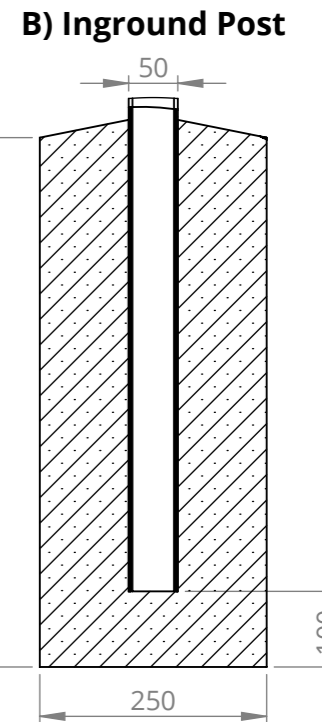
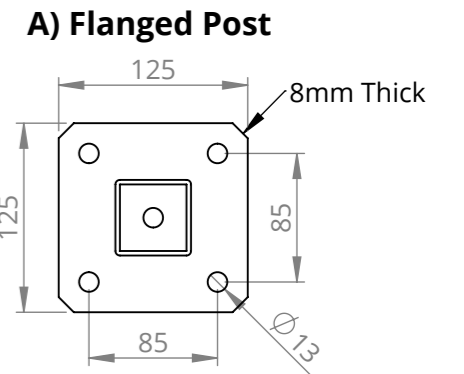
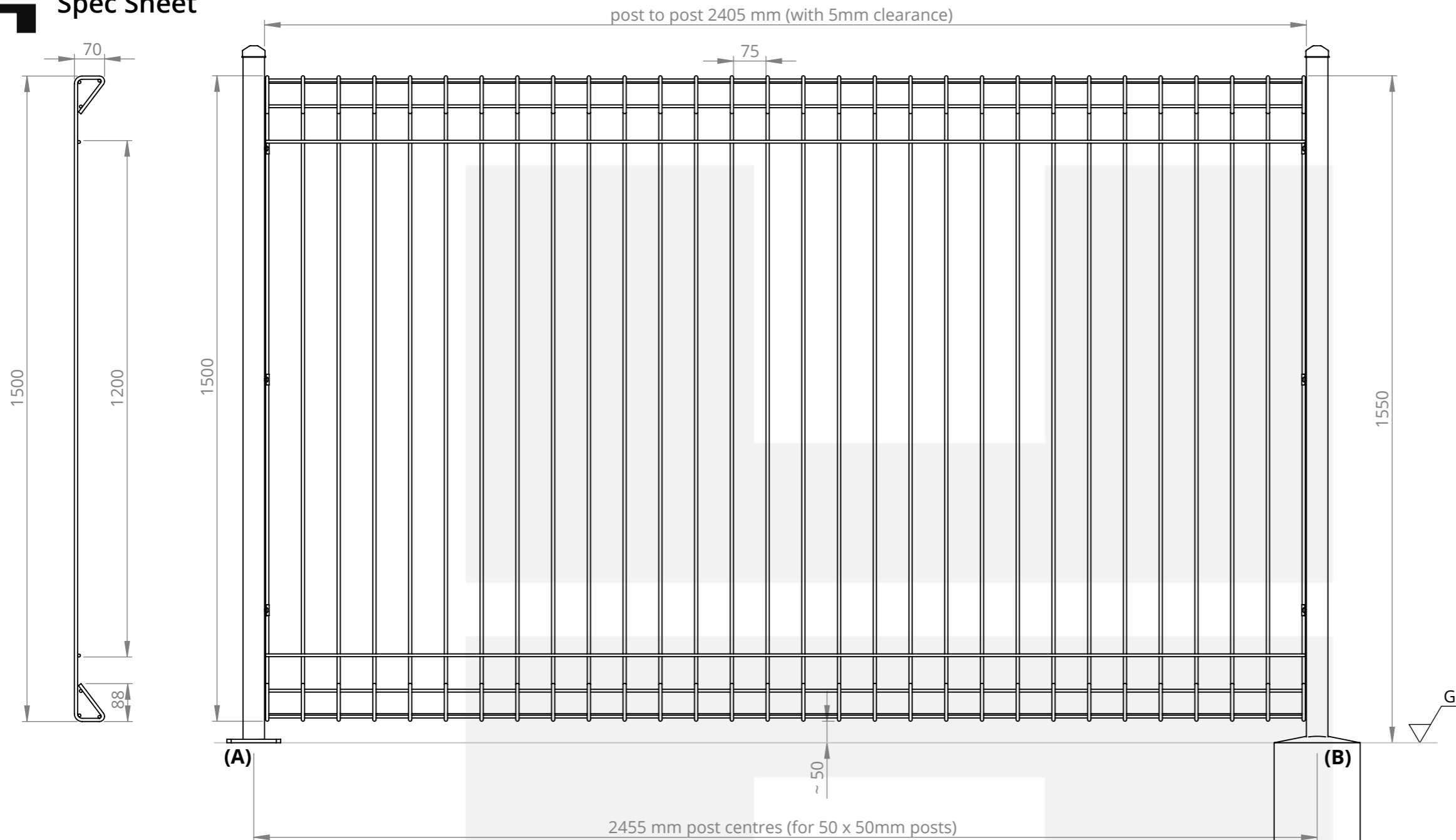


Fixing Detail

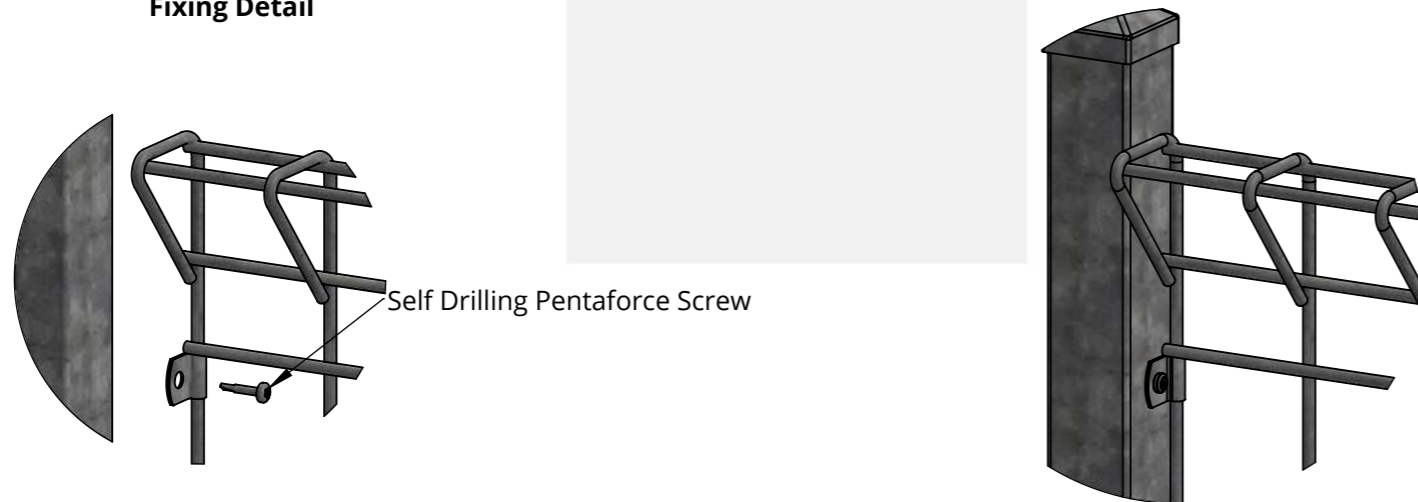


- Specs :**
- Post Size: SHS 50 x 3mm
 - Horizontal Steel Wire: 6.5mm
 - Vertical Steel Wire: 7.5mm

Description : Folded Rigid Wire Panel 1300h	
Material : Black Steel	
Finish : Hot Dip Galvanised to AS/NZS 4680:2006	
Panel Weight : 24 Kg	Drawn : DJ
Notes :	
<ul style="list-style-type: none"> • Footing dimensions subject to change to suit ground conditions • Powder Coated Finish Available 	



Fixing Detail



Self Drilling Pentaforce Screw

Specs :

- Post Size: SHS 50 x 3mm
- Horizontal Steel Wire: 6.5mm
- Vertical Steel Wire: 7.5mm

Description :

Folded Rigid Wire Panel 1500h

Material :

Black Steel

Finish :

Hot Dip Galvanised to AS/NZS 4680:2006

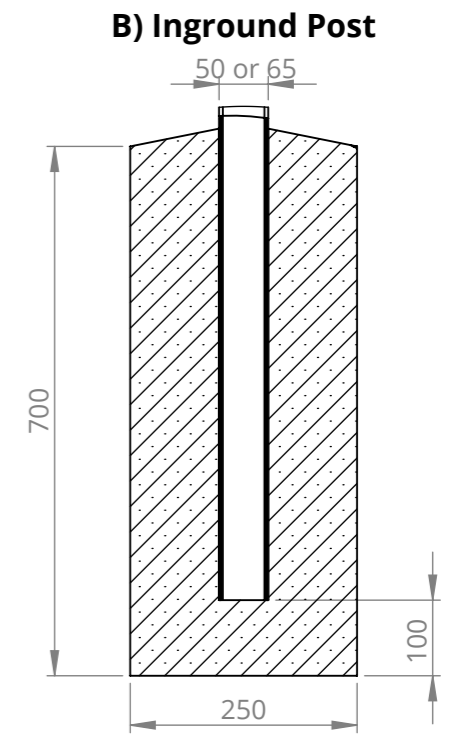
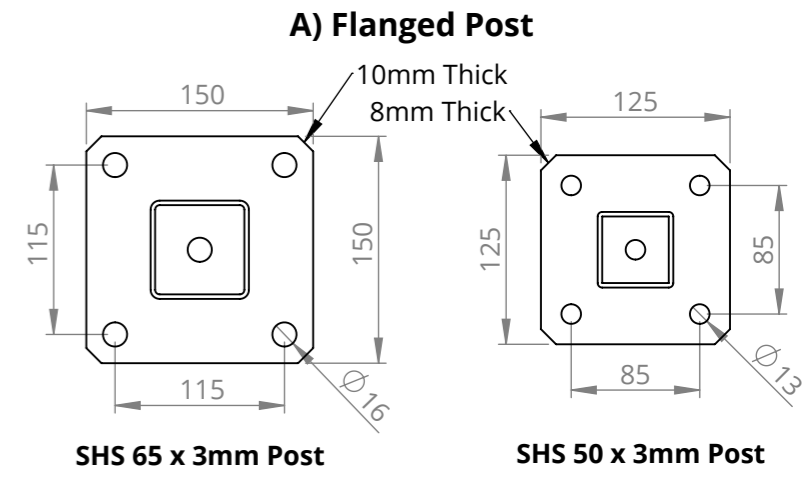
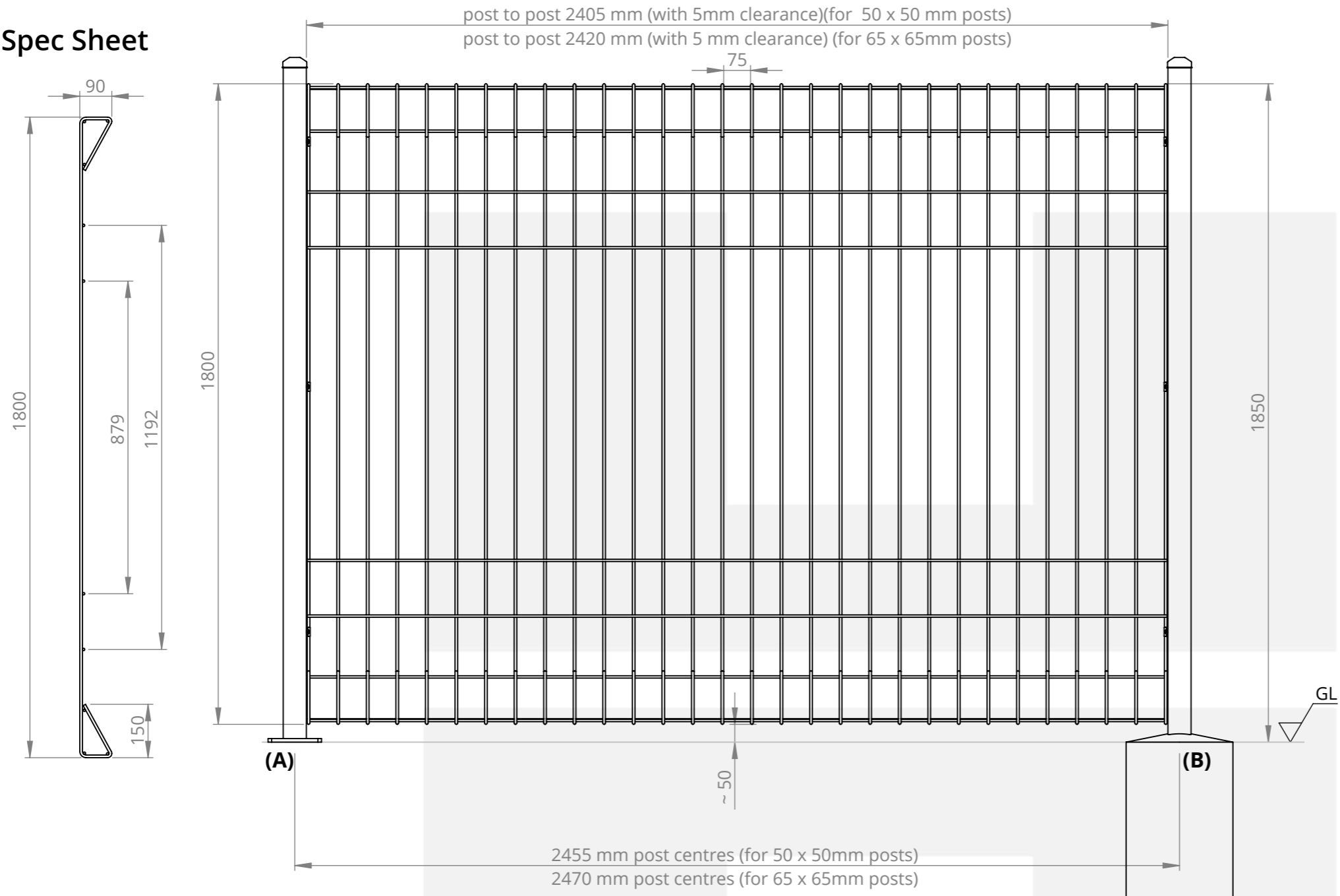
Panel Weight : 26 Kg **Drawn :** DJ

Notes :

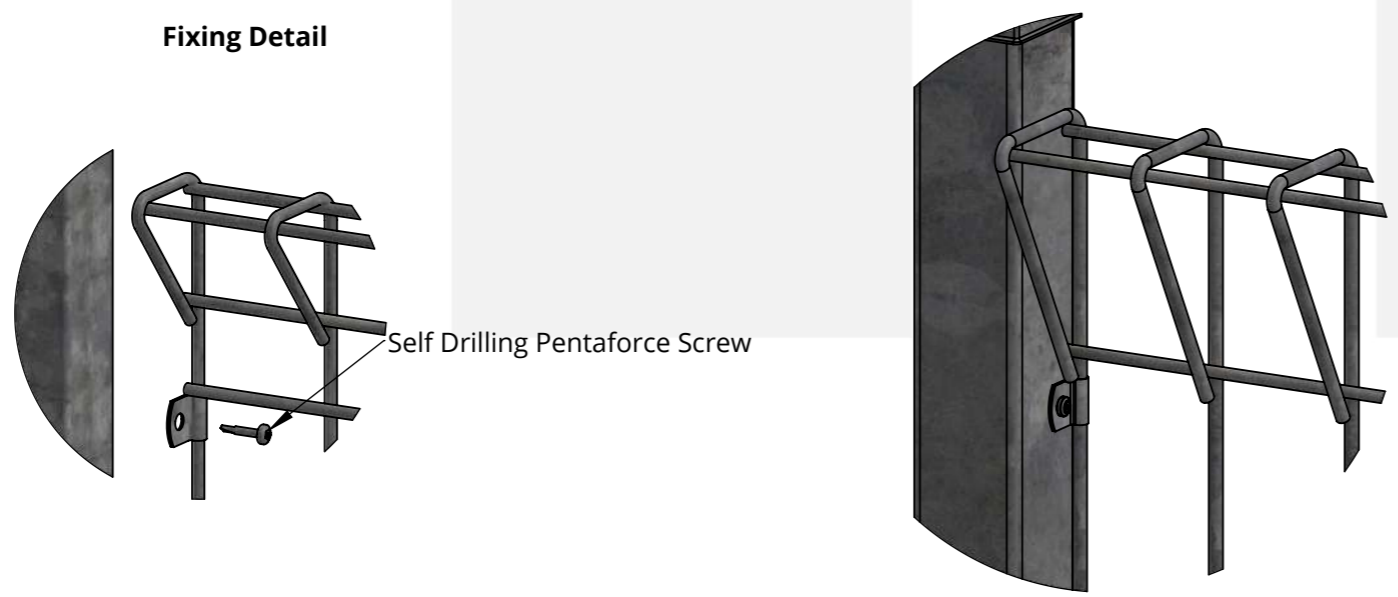
- Footing dimensions subject to change to suit ground conditions
- Powder Coated Finish Available



Spec Sheet



Fixing Detail



- Specs :**
- Post Size: SHS 50 x 3mm or SHS 65x3mm
 - Horizontal Steel Wire: 6.5mm
 - Vertical Steel Wire: 7.5mm

Description : Folded Rigid Wire Panel 1800h	
Material : Black Steel	
Finish : Hot Dip Galvanised to AS/NZS 4680:2006	
Panel Weight : 32 Kg	Drawn : DJ
Notes :	
<ul style="list-style-type: none"> • Footing dimensions subject to change to suit ground conditions • Powder Coated Finish Available 	