

Rn 4EC-4 Inline Radon Fan

Item #: 99923

Variant : 120V 1~ 60Hz



Description

- Use for **High Suction, High Airflow** applications
- Equipped with EC Motor
- Speed Control Included
- LDVI™ Couplings Included
- Airtight Housing Guaranteed
- Large Electrical Box
- Zero Leakage

Active radon mitigation systems employ specialized fans to exhaust radioactive radon gas from underneath building structures via a sealed pipe system. These systems are designed to remove radon gas before it migrates into the building envelope.

As the most powerful model in Fantech's family of Radon Mitigation fans, the **Rn4EC** can create 4.9" of suction while moving 20 cfm, as well as move 313...

[Find more details in our online catalogue](#)

Technical parameters

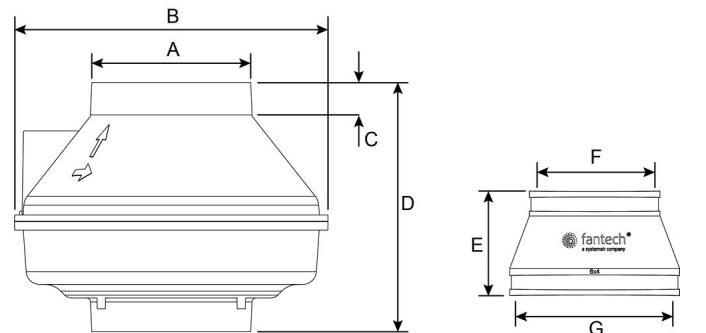
Nominal data	
Voltage (nominal)	120 V
Frequency	60 Hz
Phase(s)	1~
Input power	169 W
Input current	2.1 A
Impeller speed	4 084 r.p.m.
Air flow	max 262 L/s
Protection/Classification	
Enclosure class, motor	IP54
Insulation class	B
Certificate	HVI, cULus
Dimensions and weights	
Weight	7.8 lb

Performances

Model	Speed	Ctrl Voltage	HVI Certified Rating(s)					
			High Static/Low Flow			Low Static/High Flow		
			Inch WC	CFM	W	Inch WC	CFM	W
Rn4EC-4	100 %	10V	4.5	39	141	0.2	320	174
	80%	8V	3.14	31	84	0.2	300	135
	60%	6V	1.56	20	33	0.2	210	52

NOTE: Performance is based on 4 inch diameter ducting.

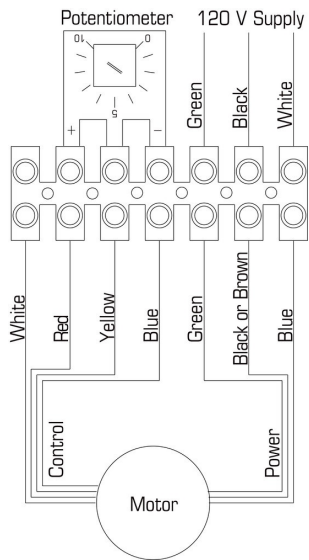
Dimensions



Model	A	B	C	D	E	F	G
Rn2EC	4 15/32 (114)	10 (254)	1 1/4 (32)	9 1/4 (235)	-	-	-
Rn4EC-3	5 7/8 (149)	11 1/2 (292)	1 1/4 (32)	9 1/4 (235)	4 (102)	3 1/2 (89)	6 (152)
Rn4EC-4	5 7/8 (149)	11 1/2 (292)	1 1/4 (32)	9 1/4 (235)	4 (102)	4 1/2 (114)	6 (152)

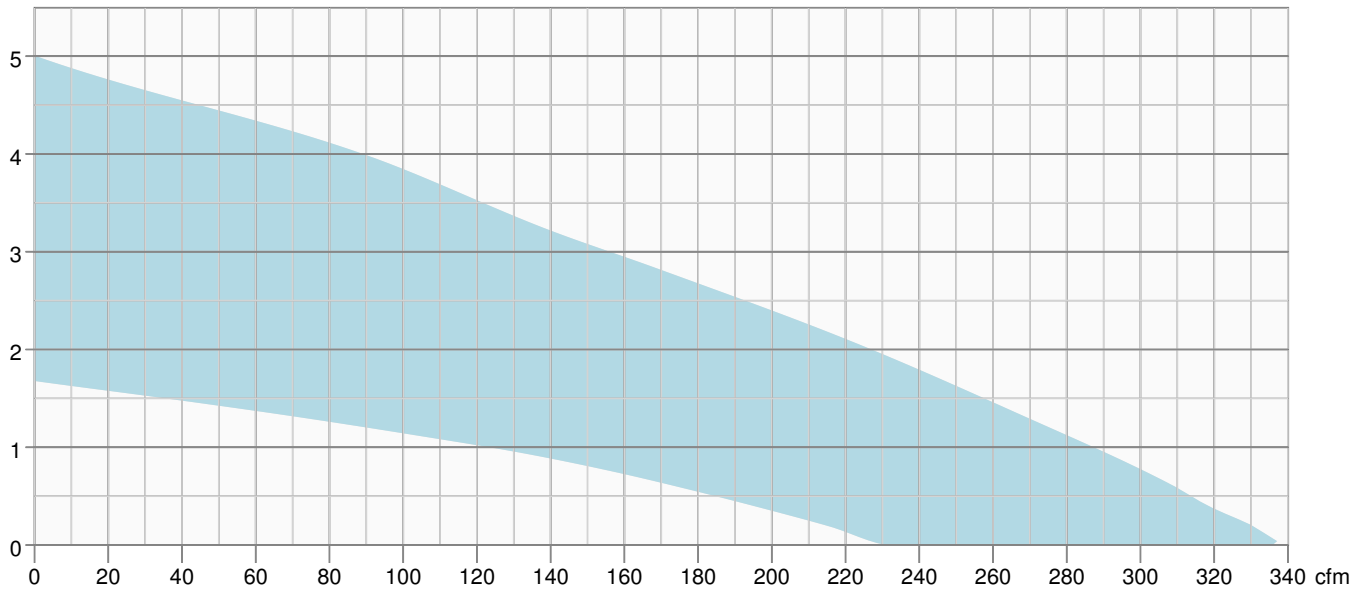
Dimensions in inches (mm).

Wiring



Performance curve

in. wg.



Hydraulic data	
Required air flow	-
Required static pressure	-
Working air flow	-
Working static pressure	-
Air density	0.075 lb/ft³
Power	-
Fan control - RPM	-
Current	-
Airflow efficiency	-
Control voltage	-
Supply voltage	-

Documents

142001 Rn2EC-Rn4-EC OIPM EN FR.PDF