



ADA

COMPLIANCE REQUIREMENTS
for DINING TABLES

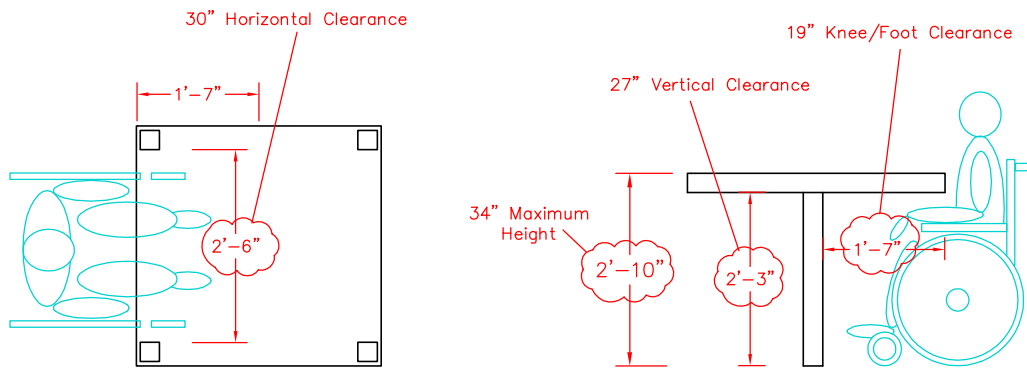


30" Horizontal Clearance

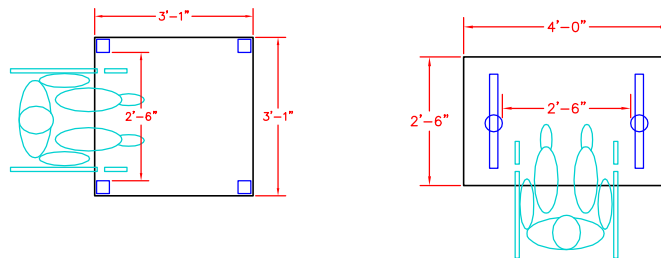
27" Vertical Clearance

19" Knee/Foot Clearance

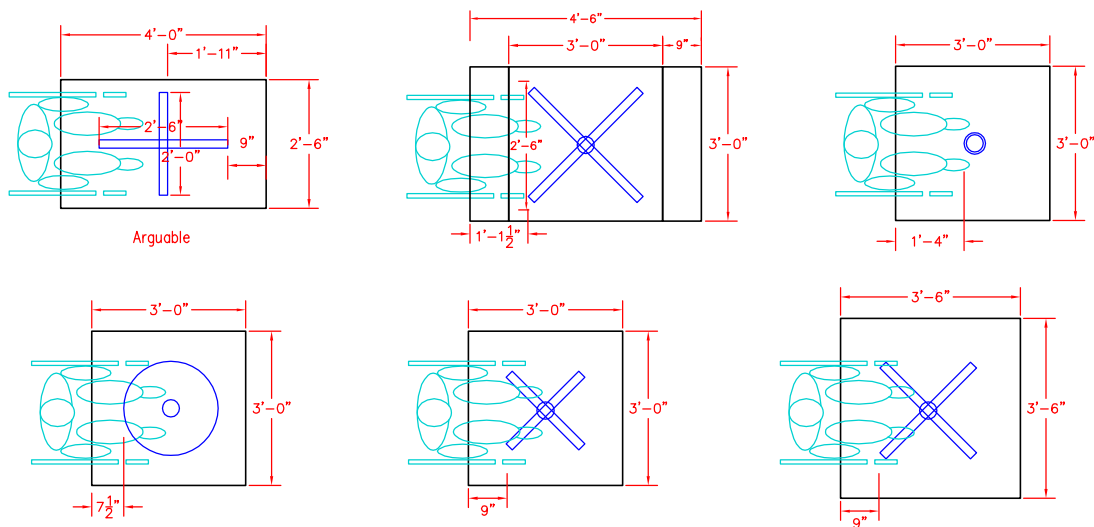
34" Maximum Height



Minimum Requirement for ADA



Compliant Base Layouts



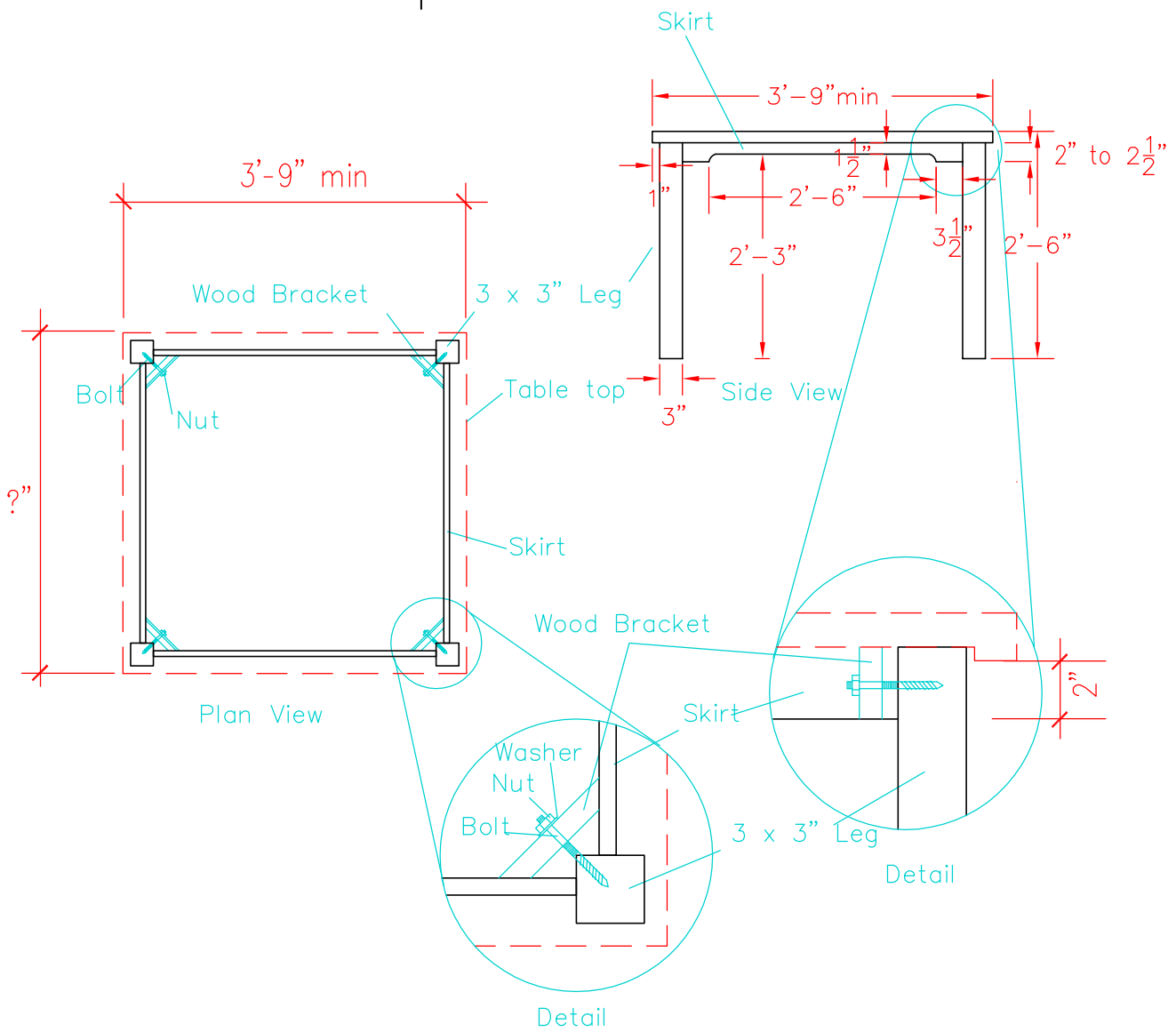
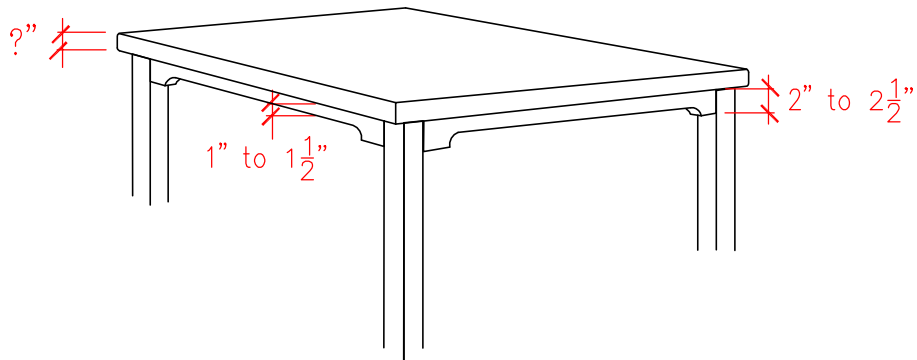
Non-Compliant Base Layouts

(Single Pedestal Bases are Generally Non-Compliant)

ADA REQUIREMENTS

Compliant & Non-Compliant Layouts



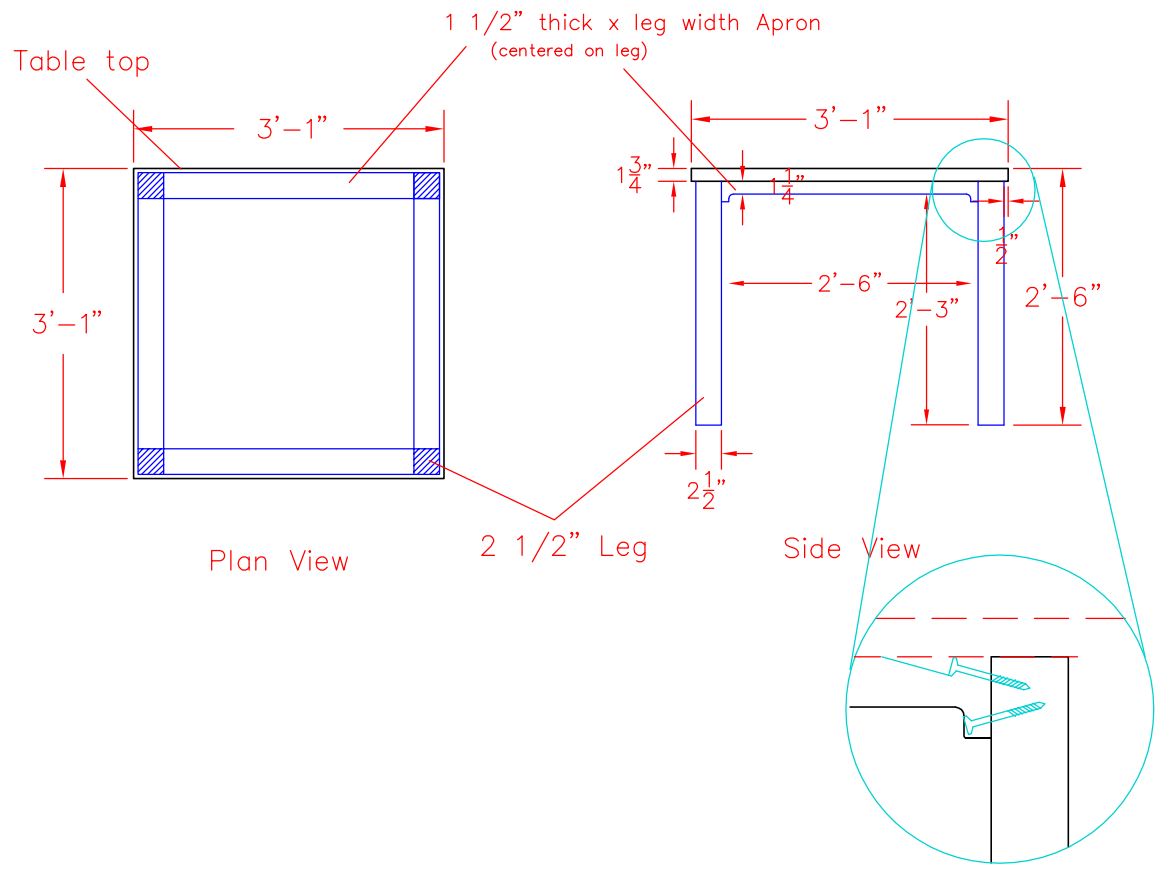
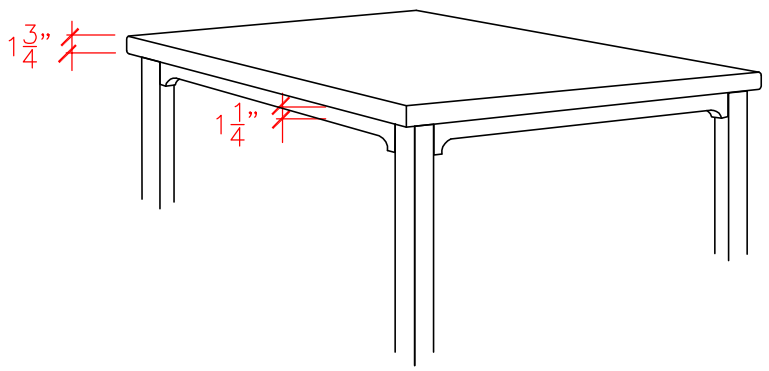


Typical 4 Leg ADA Table

with Apron

no scale
BEST





ADA
 1 1/4" Apron

1/2" = 1'-0"
 BETTER



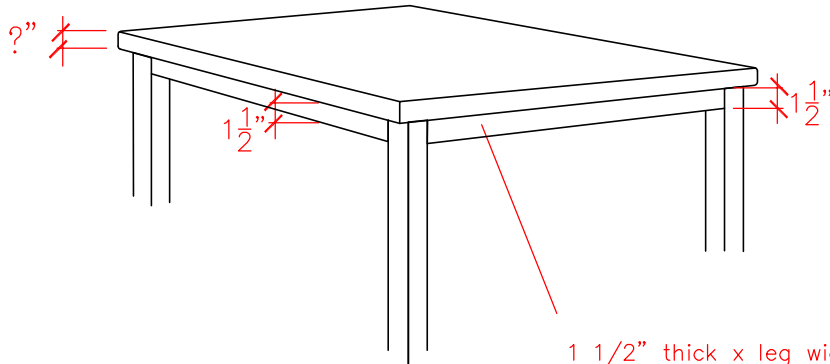
APPROVAL FORM

- Approved as drawn
- Approved with revisions

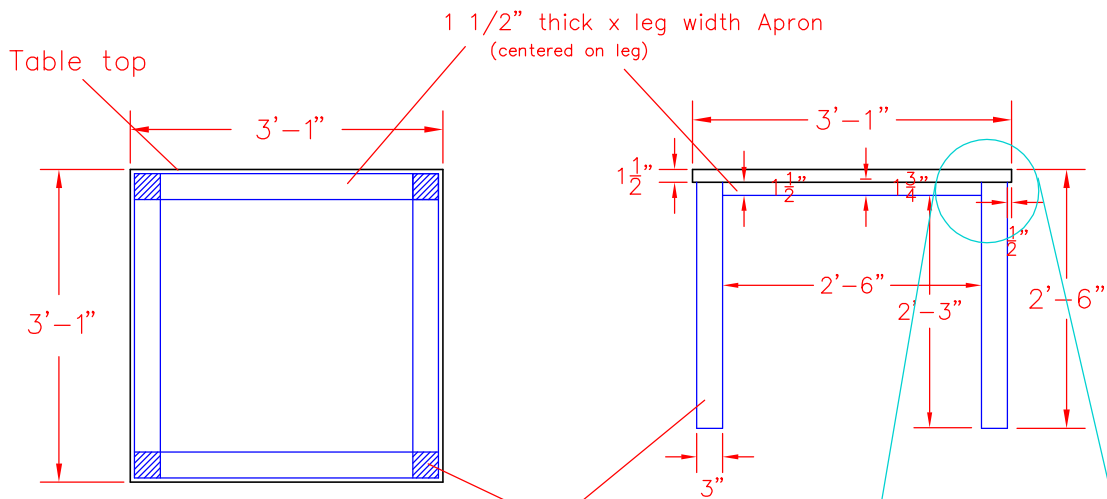
Not Approved

Date: _____

Signature: _____



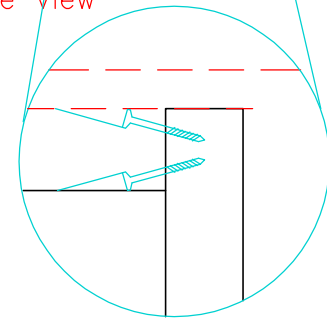
1 1/2" thick x leg width Apron
(centered on leg)



Plan View

3 x 3" Leg

Side View



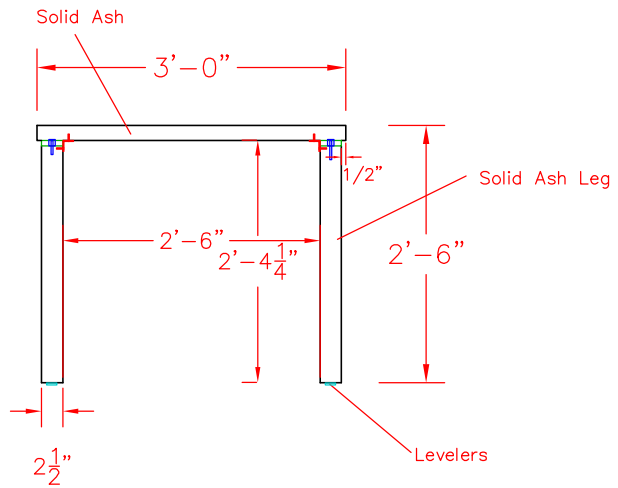
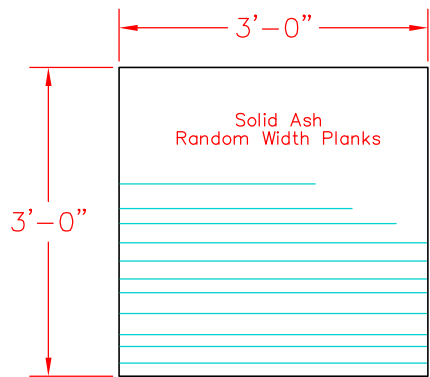
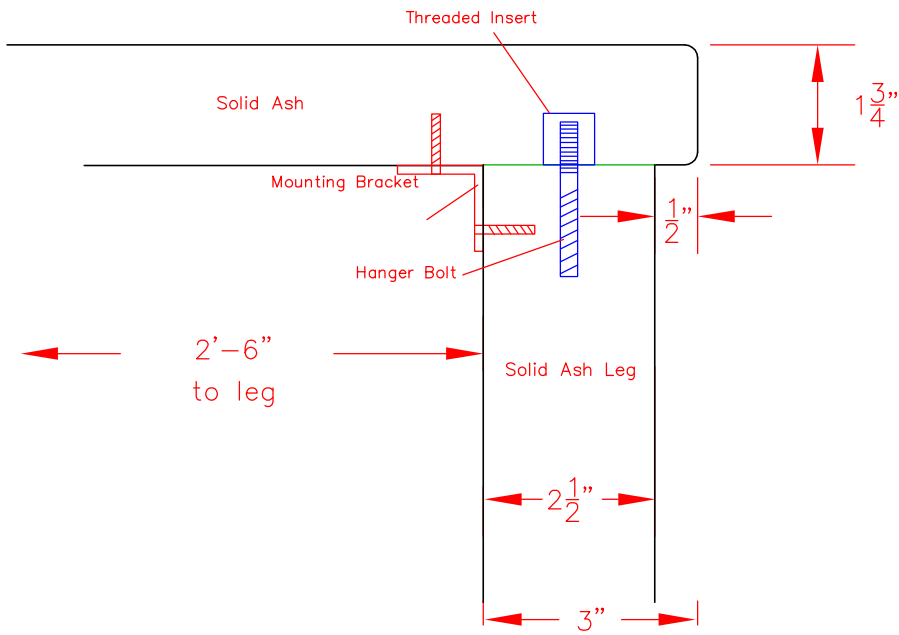
ADA

Modified Apron

1/2" = 1'-0"

GOOD





ADA
No Apron

$1\frac{1}{2}" = 1'-0"$
LEAST DESIRABLE



ADA REQUIREMENTS

4.32 Fixed or Built-in Seating and Tables.

4.32.1 Minimum Number. Fixed or built-in seating or tables required to be accessible by 4.1 shall comply with 4.32.

4.32.2 Seating. If seating spaces for people in wheelchairs are provided at fixed tables or counters, clear floor space complying with 4.2.4 shall be provided. Such clear floor space shall not overlap knee space by more than 19 in (485 mm) (see [Fig. 45](#)).

4.32.3 Knee Clearances. If seating for people in wheelchairs is provided at tables or counters, knee spaces at least 27 in (685 mm) high, 30 in (760 mm) wide, and 19 in (485 mm) deep shall be provided (see [Fig. 45](#)).

4.32.4* Height of Tables or Counters. The tops of accessible tables and counters shall be from 28 in to 34 in (710 mm to 865 mm) above the finish floor or ground.

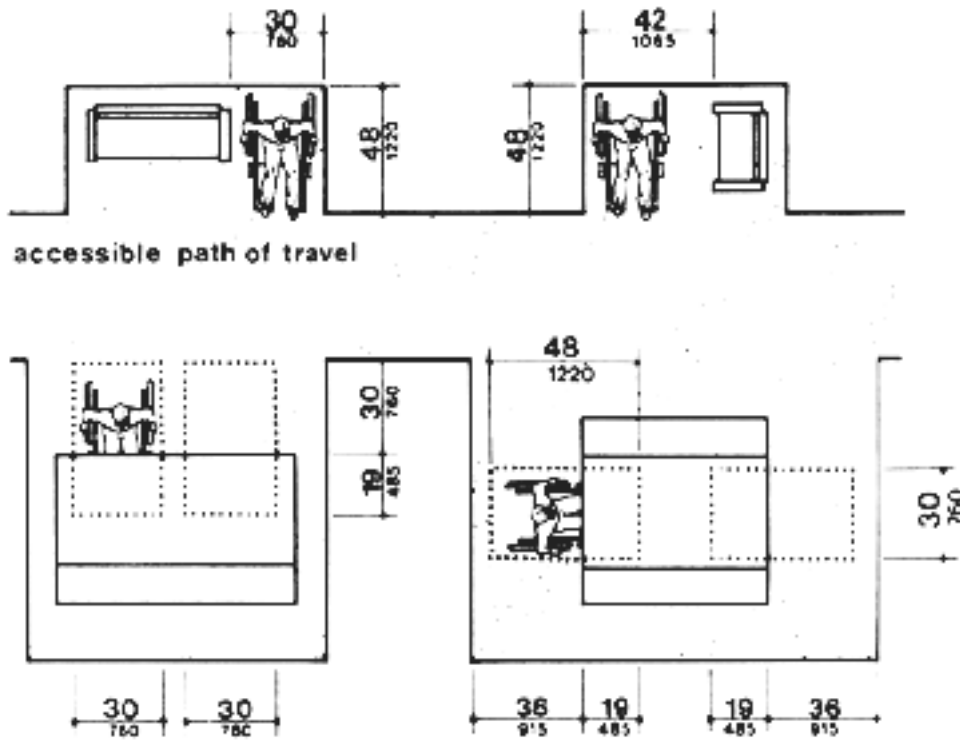


Fig. 45
Minimum Clearances for Seating and Tables

Figure 45. Minimum Clearances for Seating and Tables.

If wheelchair seating is beside fixed seats, clear floor space 30 in by 48 inches (760 mm by 1220 mm) minimum must be provided. If wheelchair seating is across the front of fixed seating, the minimum required clear floor space is 42 in by 48 inches (1065 mm by 1220 mm). An accessible route to wheelchair seating must be provided.

If wheelchair seating locations are at fixed tables, clear floor space 30 in by 48 inches (760 mm by 1220 mm) minimum must be provided for each wheelchair seating location. Each clear floor

space must extend 19 inches (485 mm) under the fixed table. When a wall or obstruction is behind a wheelchair seating location at a fixed table, a minimum 36 inch (915 mm) wide accessible route must be provided between the table and obstruction

5. RESTAURANTS AND CAFETERIAS.

5.1* General. Except as specified or modified in this section, restaurants and cafeterias shall comply with the requirements of 4.1 to 4.35. Where fixed tables (or dining counters where food is consumed but there is no service) are provided, at least 5 percent, but not less than one, of the fixed tables (or a portion of the dining counter) shall be accessible and shall comply with 4.32 as required in 4.1.3(18). In establishments where separate areas are designated for smoking and non-smoking patrons, the required number of accessible fixed tables (or counters) shall be proportionally distributed between the smoking and non-smoking areas. In new construction, and where practicable in alterations, accessible fixed tables (or counters) shall be distributed throughout the space or facility.

5.2 Counters and Bars. Where food or drink is served at counters exceeding 34 in (865 mm) in height for consumption by customers seated on stools or standing at the counter, a portion of the main counter which is 60 in (1525 mm) in length minimum shall be provided in compliance with 4.32 or service shall be available at accessible tables within the same area.

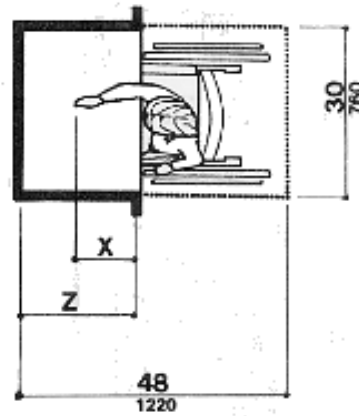
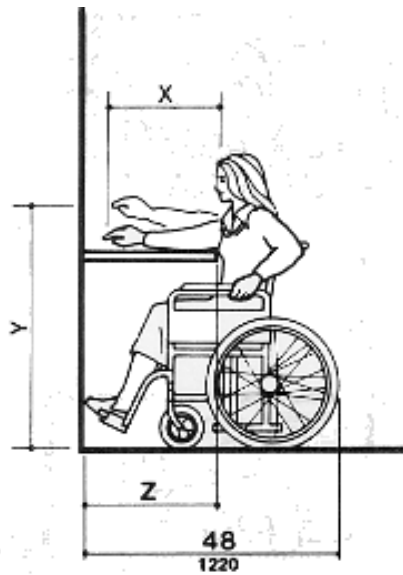
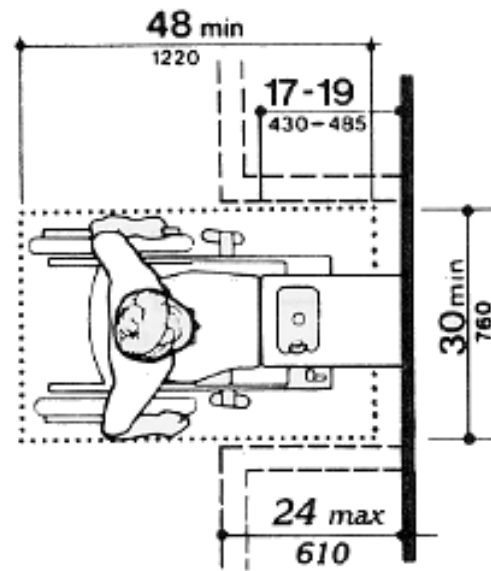
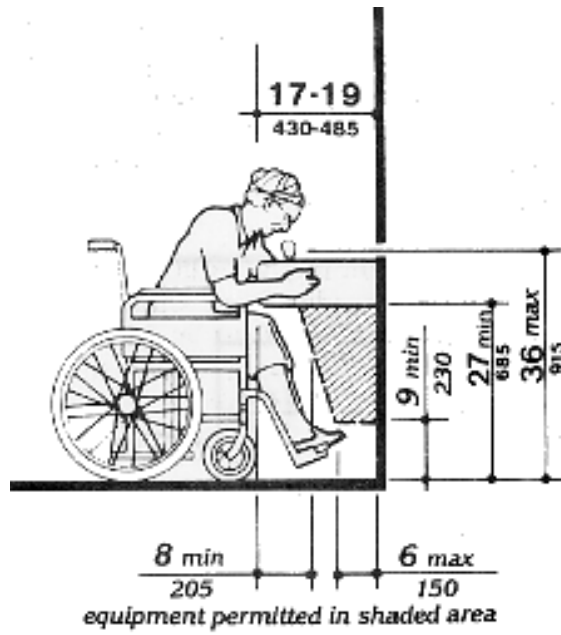
5.3 Access Aisles. All accessible fixed tables shall be accessible by means of an access aisle at least 36 in (915 mm) clear between parallel edges of tables or between a wall and the table edges.

5.4 Dining Areas. In new construction, all dining areas, including raised or sunken dining areas, loggias, and outdoor seating areas, shall be accessible. In non-elevator buildings, an accessible means of vertical access to the mezzanine is not required under the following conditions: 1) the area of mezzanine seating measures no more than 33 percent of the area of the total accessible seating area; 2) the same services and decor are provided in an accessible space usable by the general public; and, 3) the accessible areas are not restricted to use by people with disabilities. In alterations, accessibility to raised or sunken dining areas, or to all parts of outdoor seating areas is not required provided that the same services and decor are provided in an accessible space usable by the general public and are not restricted to use by people with disabilities.

5.5 Food Service Lines. Food service lines shall have a minimum clear width of 36 in (915 mm), with a preferred clear width of 42 in (1065 mm) to allow passage around a person using a wheelchair. Tray slides shall be mounted no higher than 34 in (865 mm) above the floor (see [Fig. 53](#)). If self-service shelves are provided, at least 50 percent of each type must be within reach ranges specified in 4.2.5 and 4.2.6.

5.6 Tableware and Condiment Areas. Self-service shelves and dispensing devices for tableware, dishware, condiments, food and beverages shall be installed to comply with 4.2 (see [Fig. 54](#)).

5.7 Raised Platforms. In banquet rooms or spaces where a head table or speaker's lectern is located on a raised platform, the platform shall be accessible in compliance with 4.8 or 4.11. Open edges of a raised platform shall be protected by placement of tables or by a curb.



NOTE: x shall be ≤ 25 in (635 mm); z shall be $\geq x$. When x < 20 in (510 mm), then y shall be 48 in (1220 mm) maximum. When x is 20 to 25 in (510 to 635 mm), then y shall be 44 in (1120 mm) maximum.

