



DATA SHEET

PM-M1268 series

LED outline & side markers



Images



PM-M1268 mounting accessories



PM-B168-09



PM-B168-18



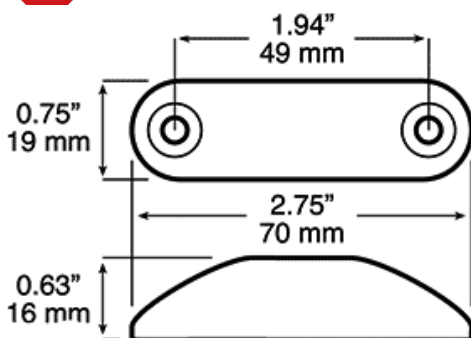
PM-B168-092



PM-B168-10



Dimensions



Part numbers

PM-M1268A-MV	Side marker, amber
PM-M1268R-MV	Rear outline marker, red
PM-M1268W-MV	Front outline marker, white
PM-B168-09	Bracket
PM-B168-18	Gasket
PM-B168-092	Aluminium brush guard
PM-B168-10	Decorative chrome bezel



Specifications - PM-M1268A side marker light

Functions:	Side marker light
LEDs:	2 diodes
Certifications:	ECE Reg 91: 00 SM1 E9 1314
Dimensions:	70mm L x 19mm W x 16mm H
Voltage:	Multi-voltage 9-32Vdc
IP rating:	IP67
Operating temperature:	-30°C to + 50°C
Mounting:	Optional mounting accessories available
Cables:	2m long sheathed cable
Power rating:	0.5W @ 12V / 1.0W @ 24V
Current draw:	0.03A @ 12V / 0.03A @ 24V
Reverse polarity protection:	Yes
Warranty:	3 years



Specifications - PM-M1268R & PM-M1268W Outline marker lights

Functions:	Front & rear outline marker lights
LEDs:	2 diodes
Certifications:	PM-M1268R ECE Reg 7: 02 R E9 1429 PM-M1268W ECE Reg 7: 02 AD E9 7858
Dimensions:	70mm L x 19mm W x 16mm H
Voltage:	Multi-voltage 9-32Vdc
IP rating:	IP67
Operating temperature:	-30°C to + 50°C
Mounting:	Optional mounting accessories available
Cables:	2m long sheathed cable
Power rating:	PM-M1268R-MV: 0.5W @ 12V / 1.0W @ 24V PM-M1268W-MV: 0.6W @ 12V / 0.6W @ 24V
Current draw:	PM-M1268R-MV: 0.03A @ 12V / 0.03A @ 24V PM-M1268W-MV: 0.02A @ 12V / 0.02A @ 24V
Reverse polarity protection:	Yes
Warranty:	3 years



Materials

Lens: PMMA-HI