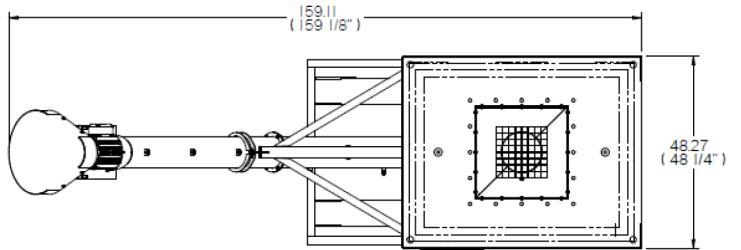
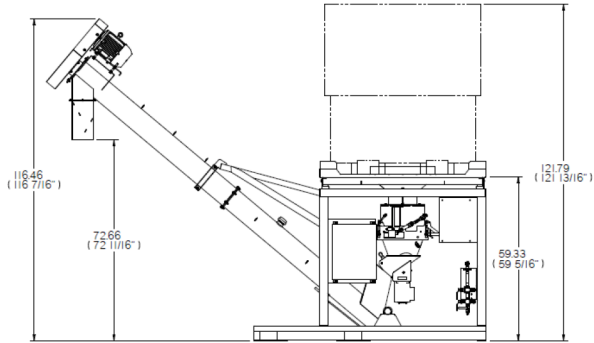


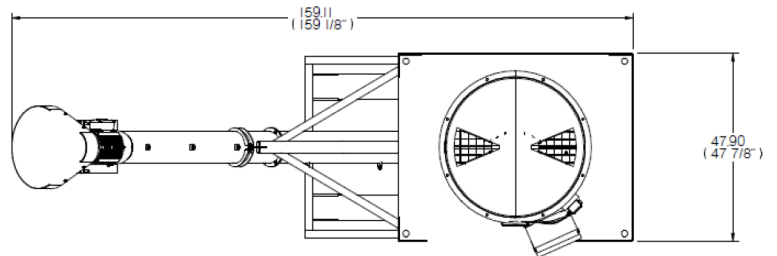
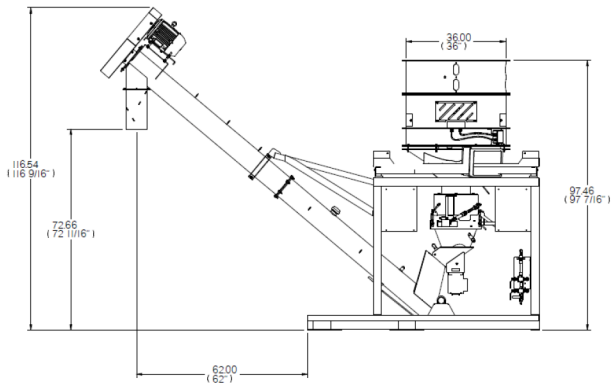
# AT500H SEED TREATER

## OPTIONS AND SPECS

### AT500H MANUAL TREATER WITH BOX-TO-BOX LOSS IN WEIGHT/MANUAL TREATER FOR BOX



### AT500H MANUAL TREATER WITH SEED METERING WHEEL



### AT500H MANUAL TREATER WITH MANUAL ADJUSTABLE CHAMBER

