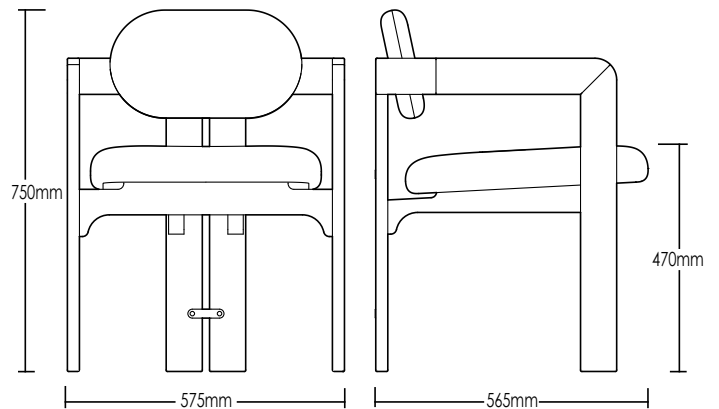




KIRRIBILLI CHAIR

DETAILS -

ORIGIN	Made and assembled in Sydney, Australia
WARRANTY	12 Months structural warranty - excluding fair wear and tear, mishandling and vandalism
DIMENSIONS	575 W x 565 D x 750 H mm
SEAT HEIGHT	470 H mm



MATERIALS -

UPHOLSTERY	A variety of house fabrics and leathers are available. Material requests are able to be specified and quoted.
TIMBER	American Oak. Finish requests are able to be specified and quoted.

CARE & MAINTENANCE -



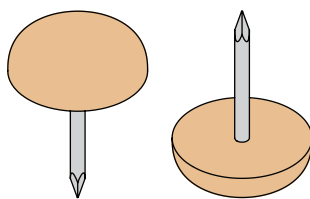
UPHOLSTERY



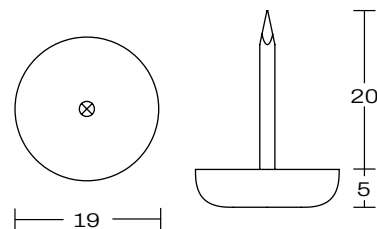
SOLID WOOD

Also available at: <https://www.contempoco.com.au/downloads>

FOOT GLIDE



[L-G-N19]



CUSTOM OPTIONS

Please contact info@contempoco.com.au or (02) 9820 6111 for enquiries.