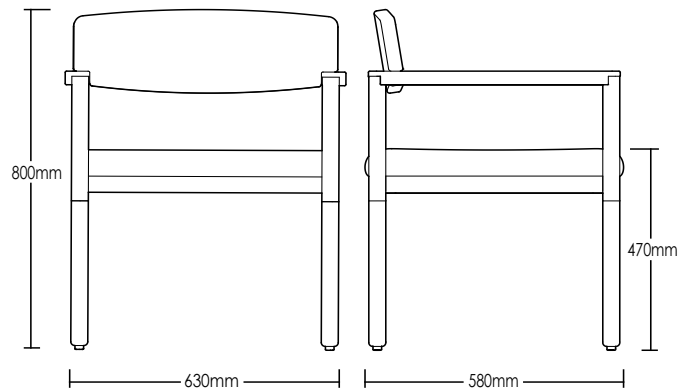




BRONTE CHAIR

DETAILS -

| | |
|--------------------|---|
| ORIGIN | Made and assembled in Sydney, Australia |
| WARRANTY | 12 Months structural warranty - excluding fair wear and tear, mishandling and vandalism |
| DIMENSIONS | 630 W x 580 D x 800 H mm |
| SEAT HEIGHT | 470 H mm |



MATERIALS -

| | |
|-------------------|---|
| UPHOLSTERY | A variety of house fabrics and leathers are available. Material requests are able to be specified and quoted. |
| POWDERCOAT | Finish requests are able to be specified and quoted. |
| TIMBER | American Oak. Finish requests are able to be specified and quoted. |

CARE & MAINTENANCE -



UPHOLSTERY



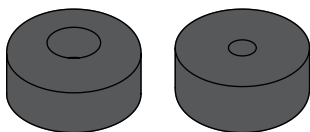
SOLID WOOD



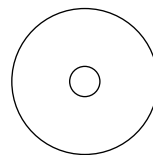
POWDERCOAT

Also available at: <https://www.contempoco.com.au/downloads>

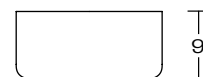
FOOT GLIDE



[RSB-2885]



19



9

CUSTOM OPTIONS

Please contact info@contempoco.com.au or (02 9820 6111 for enquiries.