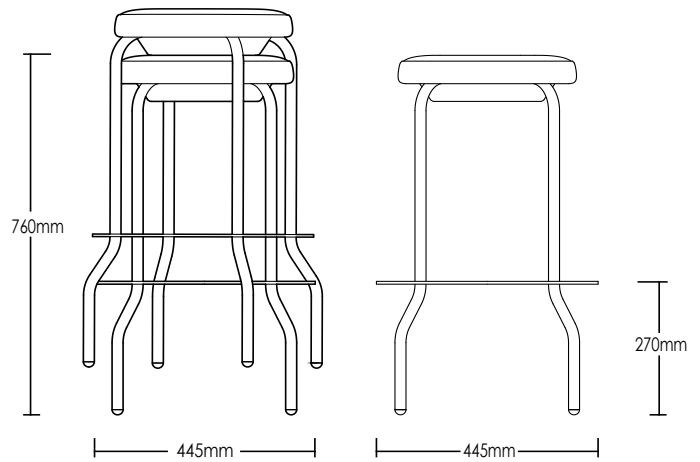




PADDINGTON STACKING STOOL

DETAILS -

ORIGIN	Made and assembled in Sydney, Australia
WARRANTY	12 Months structural warranty - excluding fair wear and tear, mishandling and vandalism
DIMENSIONS	445 W x 445 D x 760 H mm
SEAT HEIGHT	760 H mm



MATERIALS -

UPHOLSTERY A variety of house fabrics and leathers are available. Material requests are able to be specified and quoted.

AGED BRASS / POWDERCOAT Finish requests are able to be specified and quoted.

CARE & MAINTENANCE -



UPHOLSTERY



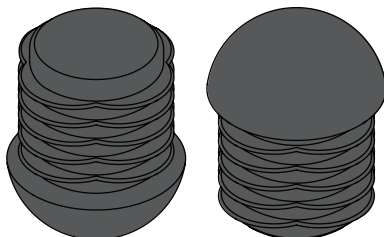
AGED BRASS



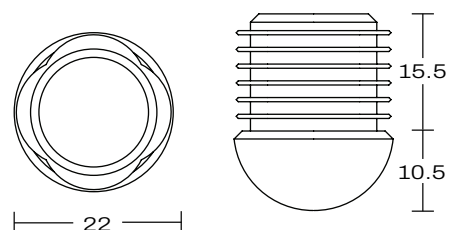
POWDERCOAT

Also available at: <https://www.contempoco.com.au/downloads>

FOOT GLIDE



[RBiR-2393]



CUSTOM OPTIONS

Please contact info@contempoco.com.au or (02) 9820 6111 for enquiries.