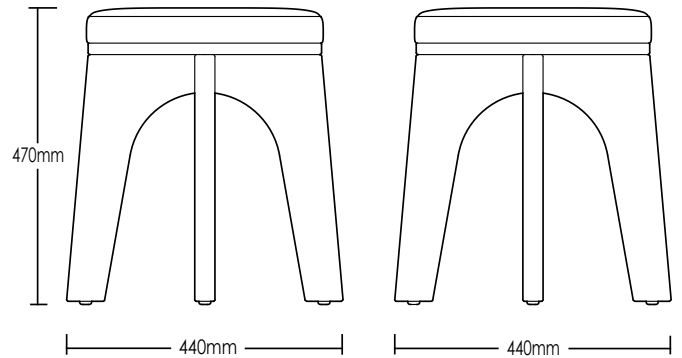




## ARCHER STOOL

### DETAILS -

<b>ORIGIN</b>	Made and assembled in <b>Sydney, Australia</b>
<b>WARRANTY</b>	12 Months structural warranty - excluding fair wear and tear, mishandling and vandalism
<b>DIMENSIONS</b>	440 W x 440 D x 470 H mm
<b>SEAT HEIGHT</b>	470 H mm



### MATERIALS -

<b>UPHOLSTERY</b>	A variety of house fabrics and leathers are available. Material requests are able to be specified and quoted.
<b>TIMBER</b>	American Oak. Finish requests are able to be specified and quoted.

### CARE & MAINTENANCE -



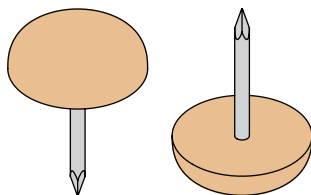
UPHOLSTERY



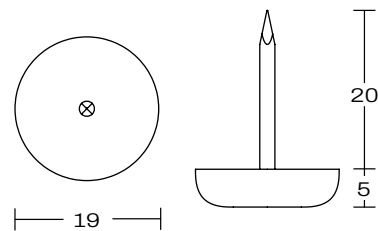
SOLID WOOD

Also available at: <https://www.contempoco.com.au/downloads>

### FOOT GLIDE



[L-G-N19]



### CUSTOM OPTIONS

Please contact [info@contempoco.com.au](mailto:info@contempoco.com.au) or (02) 9820 6111 for enquiries.