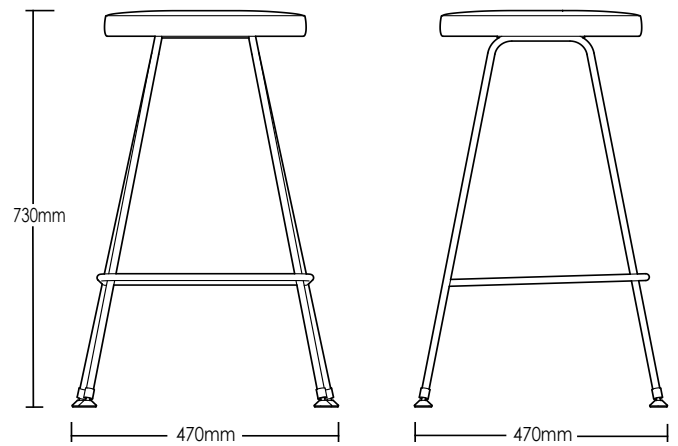




JETSON STOOL

DETAILS -

ORIGIN	Made and assembled in Sydney, Australia
WARRANTY	12 Months structural warranty - excluding fair wear and tear, mishandling and vandalism
DIMENSIONS	470 W x 470 D x 730 H mm
SEAT HEIGHT	730 H mm



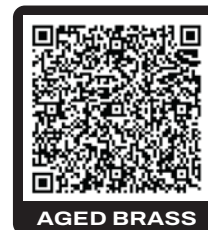
MATERIALS -

UPHOLSTERY	A variety of house fabrics and leathers are available. Material requests are able to be specified and quoted.
AGED BRASS / POWDERCOAT	Finish requests are able to be specified and quoted.

CARE & MAINTENANCE -



UPHOLSTERY



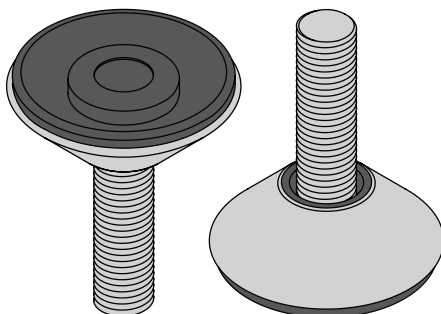
AGED BRASS



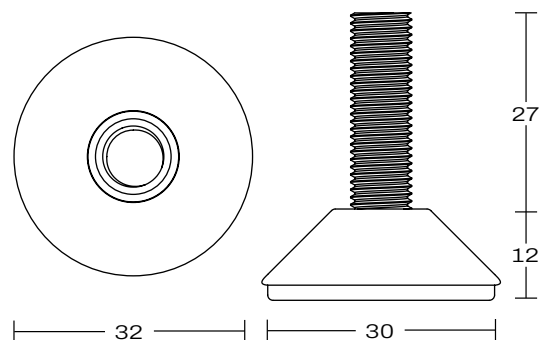
POWDERCOAT

Also available at: <https://www.contempoco.com.au/downloads>

FOOT GLIDE



[TLF-5011]



CUSTOM OPTIONS

Please contact info@contempoco.com.au or (02 9820 6111 for enquiries.