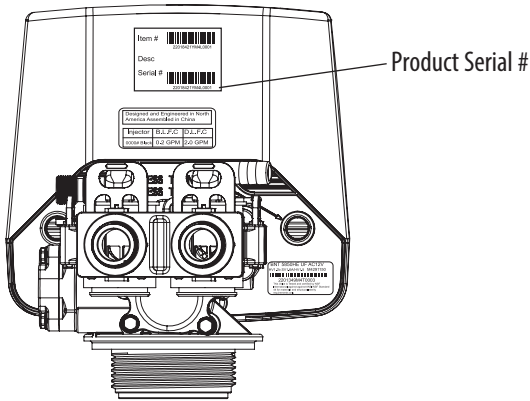


# Hydrotech 785UF Valve Softener Quick Set Up Manual

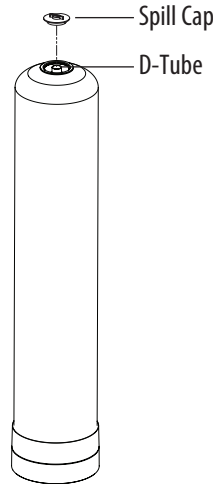
## Step 1 – Inspection

Check to make sure you got everything supplied by factory and there is no visible or concealed damage. In case of missing items, please contact customer service immediately and have the Product Serial # handy. (Product Serial # can be found at the back of the control valve, see below)

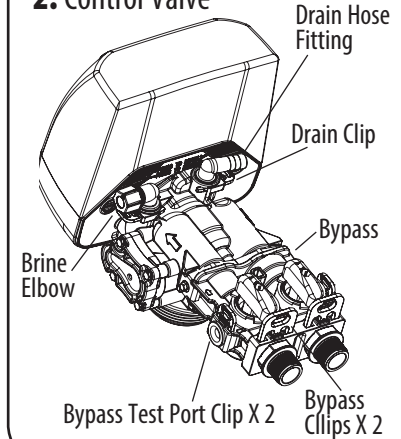


Product Serial #

### 1. Tank with Softener Media loaded



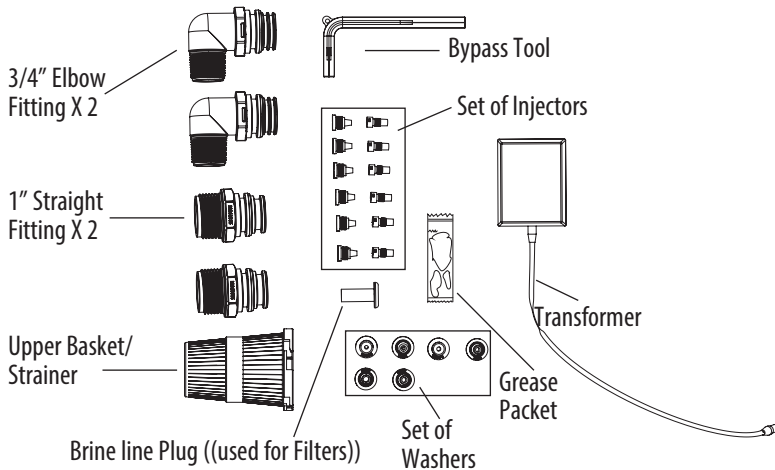
### 2. Control Valve



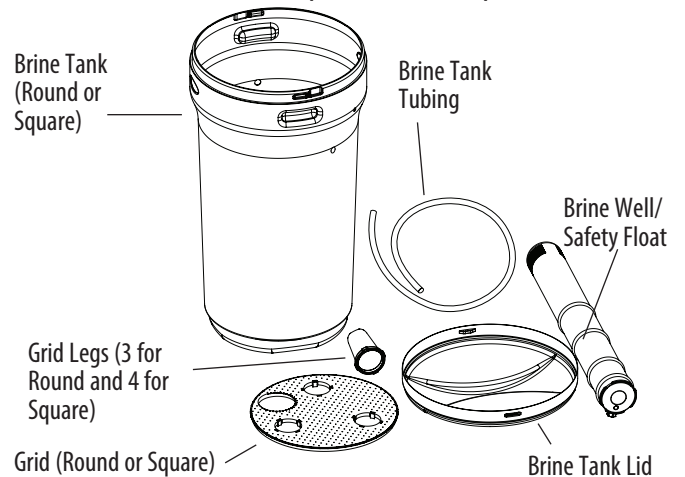
### The items you will expect are:

1. Tank with Softener Media loaded
2. Control Valve
3. Parts Kit
4. Brine Tank (Round or Square ) and Components

### 3. Parts Kit



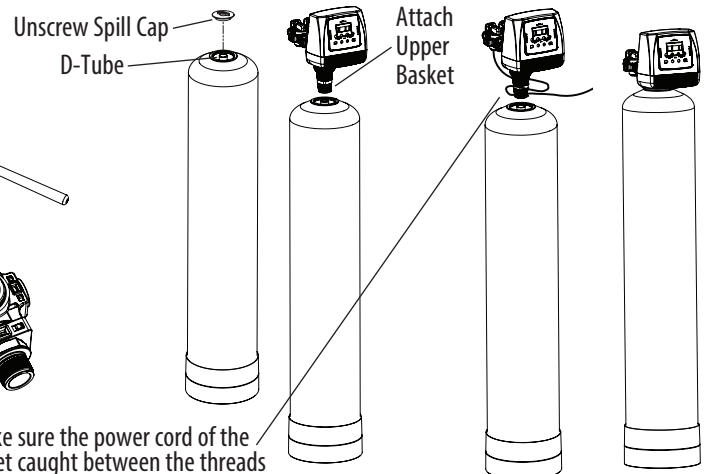
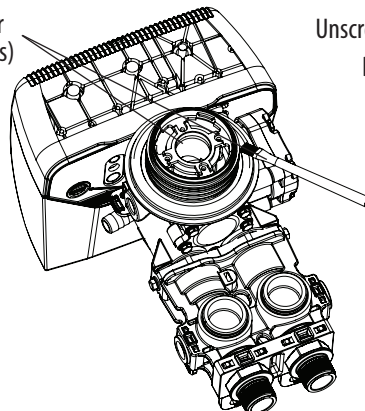
### 4. Brine Tank (Round or Square ) and Components



Grease port Orings using brush (not included) or your finger (Make sure to wear protective gloves)

## Step 2 – Installing Valve to the Tank

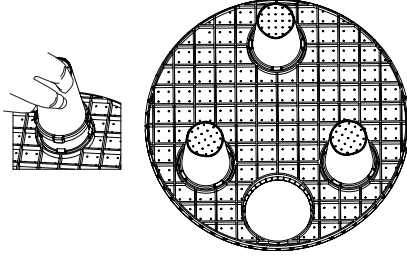
Select a Installation location and make sure there is access to 110V power outlet and drain line. Lube the bottom Valve Orings with the grease supplied, Attach the Upper Basket. Unscrew the spill cap. Carefully Slide the D-Tube inside the Valve and Screw the Valve inside the Tank such that the power cord doesnt get caught between the valve and the tank. Make sure the D-Tube slides inside the valve.



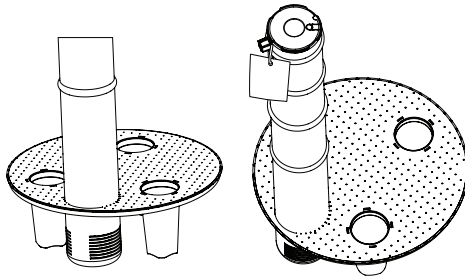
**CAUTION:** Make sure the power cord of the valve doesnt get caught between the threads

### Step 3 – Assembling Brine Tank

a. Attach the three brine grid legs to grid plate. The legs will snap on to the tabs of the salt plate making a “click” sound. For square brine tank there are four legs.

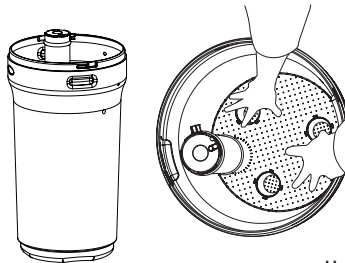


b. Insert the brine well assembly inside the grid plate as well below.

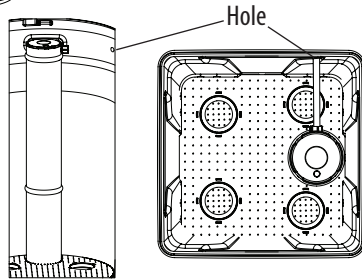


c. Drop the brine grid with brine well inside the brine tank such that the nut fitting faces the hole on the brine tank. Then press the grid evenly inside the brine tank until the brine grid legs touches the bottom of the brine tank.

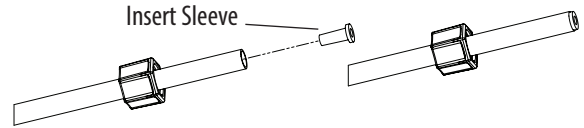
IMPORTANT: IN ROUND BRINE TANK, IT IS IMPORTANT TO ALIGN THE HANDLE TO THE BRINE WELL AS SHOWN



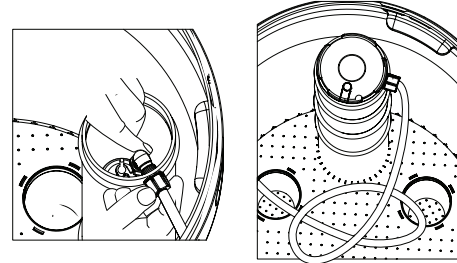
The hole in the brine tank should line up with the brine line as shown for round and square brine tank.



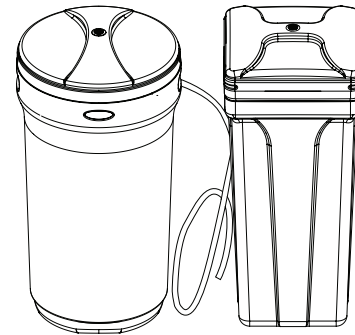
d. Take the brine tube and insert the nut and plastic sleeve as shown below.



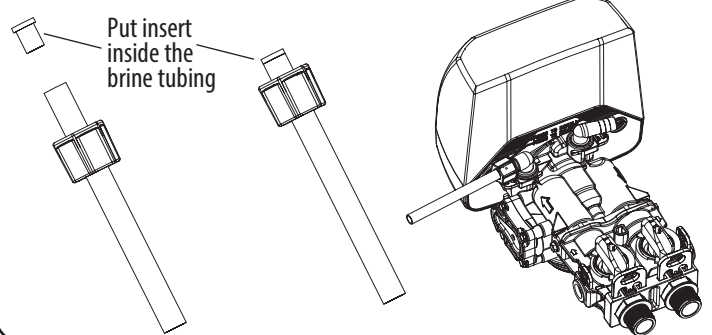
e. Insert the tube in the float assembly elbow and hand tighten the nut. In many cases the brine line already come installed from the factory. Leave the other end of the brine line tube inside the brine tank



f. For installation of brine tank at the installation site, pull the other end of the brine tube from the hole on the brine tank. The completed assembly is shown below.



### Step 4 – Attaching Brine Tubing to the Valve



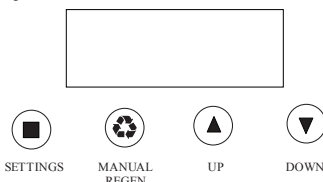
### Step 5 – Power and Program Valve

#### Key Pad Configuration

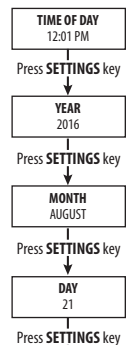
**SETTINGS** This function is to enter the basic set up information required at the time of installation.

**MANUAL REGEN** This function is to initiate an immediate or delayed manual regeneration.

**DOWN / UP** Increase or decrease the value of the settings while in the programming mode.



**Settings**  
Press **SETTINGS** key  
(3 SECONDS / BEEP)



Press **SETTINGS** key

**SET HARDNESS**  
20 GRAINS

Press **SETTINGS** key

**SET PEOPLE**  
4

Press **SETTINGS** key

**SALT SETTING**  
HIGH EFFICIENCY

**STANDARD**  
IRON & MN

Press **SETTINGS** key

Press **SETTINGS** key

**WATER TYPE**  
MUNICIPAL  
WELL / OTHER

Press **SETTINGS** key

**REGEN TIME**  
2:00 AM

Press **SETTINGS** key

**PROGRAMMING COMPLETE**

#### SALT SETTING

Choose HIGH EFFICIENCY to minimize salt usage. Your system will regenerate a little more often but your salt usage can be reduced by 20% compared to the STANDARD setting. Choose STANDARD when you need to maximize your capacity but still operate the system with good efficiency. Choose IRON & MN if you have problem water containing these minerals. The high salt setting will be needed since these minerals are more difficult to clean out of the resin bed. Note: A resin cleaner will also need to periodically added to the brine tank to insure proper operation.

#### WATER TYPE

This setting will determine if the BACKWASH OVERRIDE function will be on or off. Select MUNICIPAL if the water source is clean (< 1NTU turbidity) and the system will skip the back wash cycle based on the setting in BACKWASH OVERRIDE. Select WELL / OTHER if any Iron or Manganese is present or if the water source is not clean (< 1NTU turbidity). The system will back wash every time.

his setting determines the time of day to perform a scheduled regeneration.