

PROFESSIONAL AUDIO / VIDEO SOLUTION FOR
CORPORATE CONFERENCE ROOMS, CONTROL
ROOMS, AND VIDEO WALL SYSTEMS



HIGH-PERFORMANCE 4X4 HDMI 2.0 MATRIX SWITCHER WITH 4K @60HZ

HDMI 2.0

OHM-44UHD

The Opticis OHM-44UHD is an industry-standard matrix switcher equipped with 4-input and 4-output HDMI ports supporting high-definition resolutions up to 4K (4096 x 2160) @60Hz (RGB & YCbCr: 4:4:4). In addition, an HDMI-based (4x4) matrix switcher comes with a compact scaled media and data distribution management system that provides optimum audio and video performance with HDR (high dynamic range) for producing true-to-life images for maximum visual clarity. Moreover, the OHM-44UHD features high bandwidth content protection (HDCP 2.2) compliance and linear pulse code modulation (LPCM 7.1) for transmitting uncompressed digital audio signals, producing zero latency and lossless sound.

The OHM-44UHD matrix switcher addresses the ever-increasing need to connect HDMI-based laptops, tablets, and other devices for corporate conference rooms, control rooms, and video wall systems. The 4x HDMI I/O ports support complete matrix switching functions with seamless control via RS-232, telnet, WebGUI, and IR remote via ethernet, where end-users can change and control the matrix using graphical and visual indicators right from the computer or touch panel.

FEATURE HIGHLIGHTS

- Supports up to 4K (4096 x 2160) @60Hz (RGB & YCbCr: 4:4:4)
- Supports HDR at 10 bit or 12 bit, and 3D content transmission
- Provides EDID management tools with 4 slots for user-created EDID
- Supports storing and recalling of up to four routing presets
- Controllable via front-panel buttons, RS-232, WebGUI, and IR remote
- Supports high-speed HDMI 2.0 specifications and HDCP 2.2 compliance
- Certified for FCC and CE standards
- Dimension (W x D x H): 17.2" x 5.9" x 1.7"



SIDE VIEW



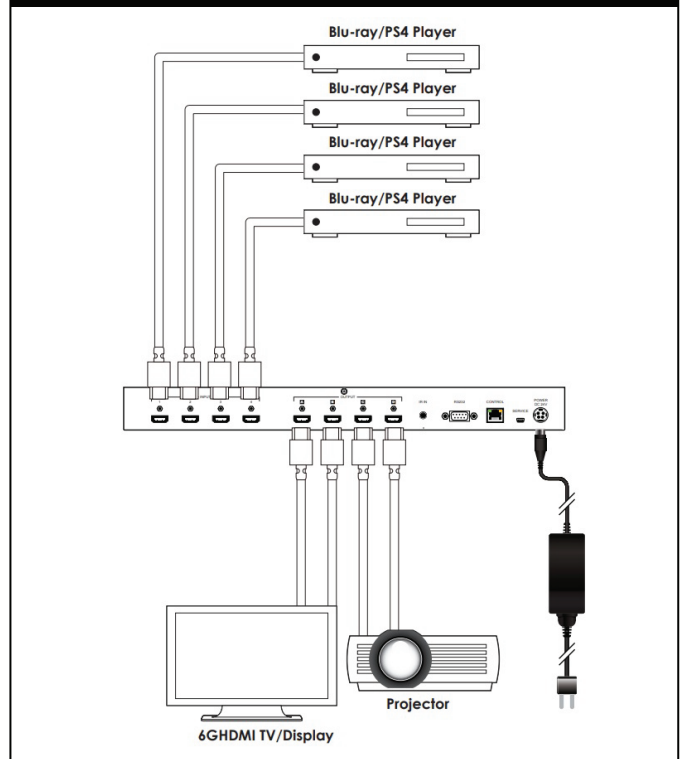
WWW.OPTICISUSA.COM

OHM-44UHD

SPECIFICATIONS

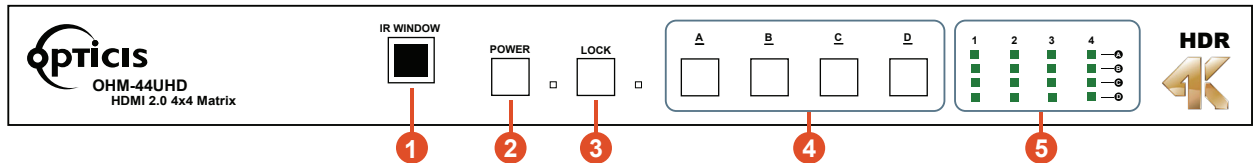
Input Ports	4 x HDMI, 1 x IR, 1 x RS-232 1 x Mini USB (Service), 1 x RJ45 (Control)
Output Ports	4 x HDMI
Resolutions	480i~1080p @24/50/60Hz, Up to 4K (4096 x 2160) @60Hz (RGB & YCbCr: 4:4:4) VGA~WUXGA
IR Frequency	30~50kHz
Baud Rate	115200 bps
Power Supply	24VDS / 2.7A
Certifications	US/EU standards, CE/FCC/UL certified
ESD Protection (Human body model)	±8 kV (air-gap discharge) ±4 kV (contact discharge)
Dimensions (W x H x D)	17.2" x 1.7" x 6.3" (case only) 17.2" x 1.9" x 6.6" (all inclusive)
Weight	4.6 lbs
Operating Temperature	0°C~40°C / 32°F~104°F
Storage Temperature	-20°C~60°C / -4°F~140°F
Relative Humidity	20~90% RF (non-condensing)
Power Consumption	21W

CONNECTION DIAGRAM



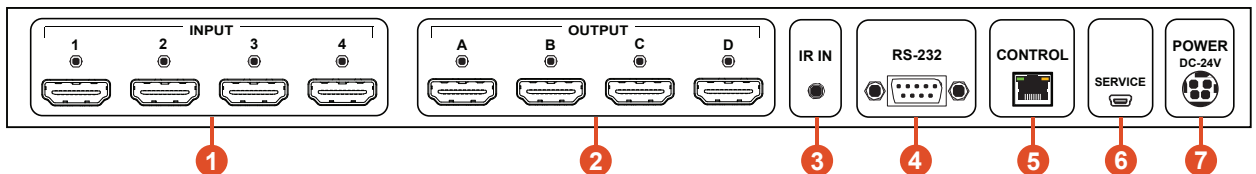
OPERATION CONTROLS AND FUNCTIONS

FRONT PANEL



- 1 IR WINDOW:** Receives IR signals from the included IR remote for control of OHM-44UHD unit.
- 2 POWER BUTTON & LED:** Press power button to turn OHM-44UHD on (green LED) or place it into stand-by mode (red LED).
- 3 LOCK & LED:** Press to lock all button functions on the front panel. Press and hold for 3 seconds to release the lock function. The LED will be flashing when the front panel is in locked.
- 4 A~D:** Press and hold these buttons to switch available inputs for the associated output.
- 5 LED 1~4:** These LEDs will be illuminated to indicate which sources are currently selected for each output. No flashing LED for an output that indicates the output is muted.

BACK PANEL



- 1 INPUT 1~4:** Connect to HDMI display sources such as PC, media players, or set-top boxes. DVI source supports HDMI to DVI adapter.
- 2 OUTPUT A~D:** Connect to HDMI displays such as monitors, TV, or amplifiers for digital video.
- 3 IR IN:** Connect to the provided IR Extender to expand the IR control range of the unit. Ensure that the remote is used within direct line-of-sight of the IR Extender.
- 4 RS-232:** Connect directly to a desktop, laptop, or other serial control devices to send RS-232 commands to control the unit.
- 5 CONTROL:** Connect directly or through a network switch to your PC/ laptop to control the OHM-44UHD via telnet and WebGUI.
- 6 SERVICE:** Service slot is reserved for firmware update use only.
- 7 POWER:** Plug the 24V DC power adapter into the unit and connect it to an AC wall outlet for power.



OPTICIS USA, LLC.

Office: 949.701.4742 • Email: info@opticisusa.com

Support: support@opticisusa.com

© Copyright 2021, Opticis USA. All Rights Reserved.
All specifications are subject to change at any time.

OHM44UHD_090321_V1.0