

**ARCTIC
FOAM**

5'8" SB

Blank: 58SB (Shortboard)

Originating Date: April, 2006

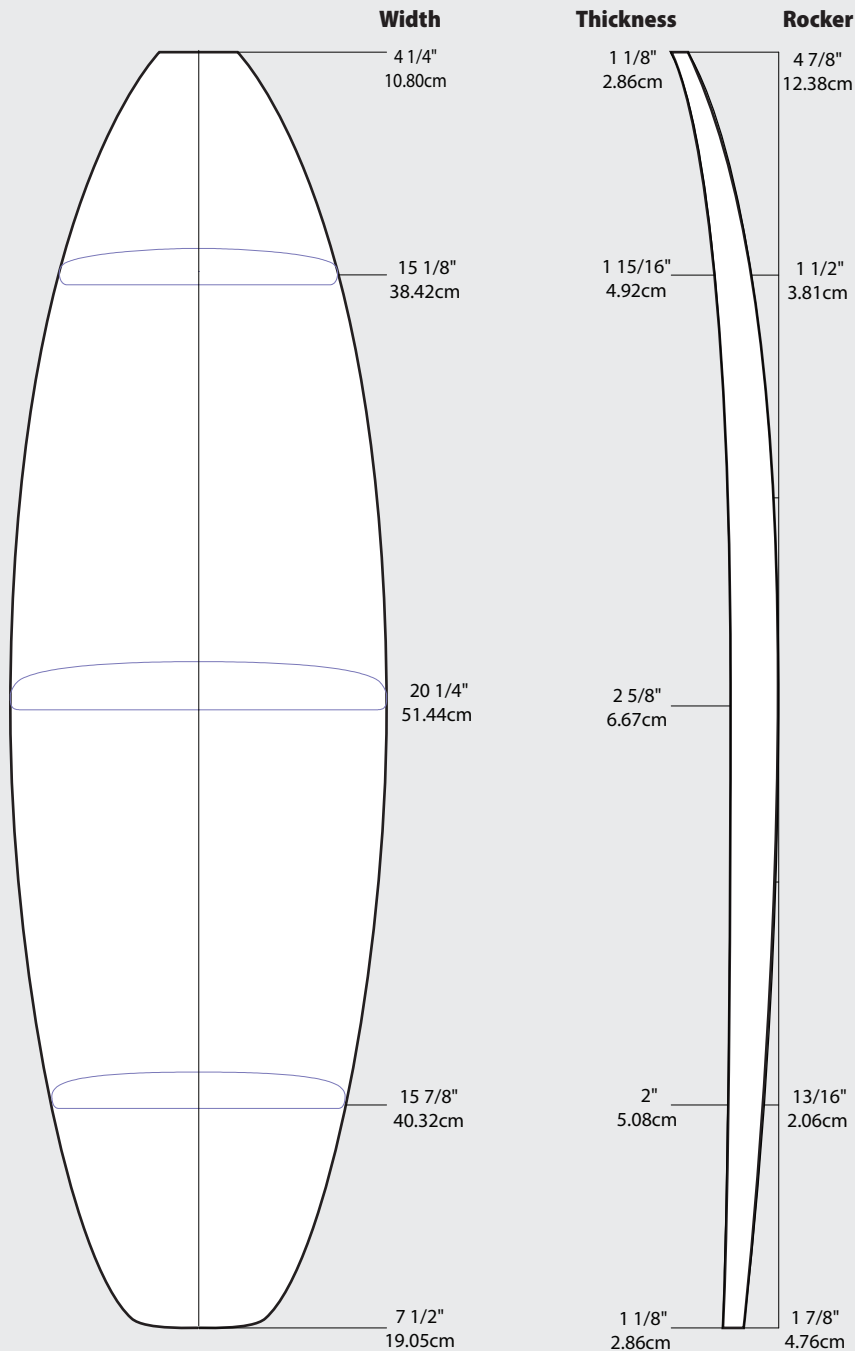
Bottom Length: 5'9 5/16" (176.1cm)

Center Width: 20 1/4" (51.4cm)

Center Thickness: 2 5/8" (6.7cm)

Blank Volume: 36.37 liters

Blank Description: The 5'8SB is excellent for small shortboards and grom boards. Thickness is carried through the nose and tail to accommodate various rocker designs. Boxy rails and a slightly concave bottom allow you to maximize this blank's thickness. Perfect for hand or machine shaping. Light weight, superior strength, great flex - Arctic quality. Foam Matters...Ride the Bear.

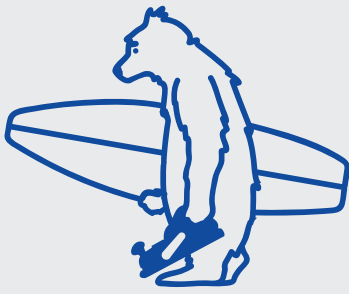


Perfered Stock Rocker: HG9



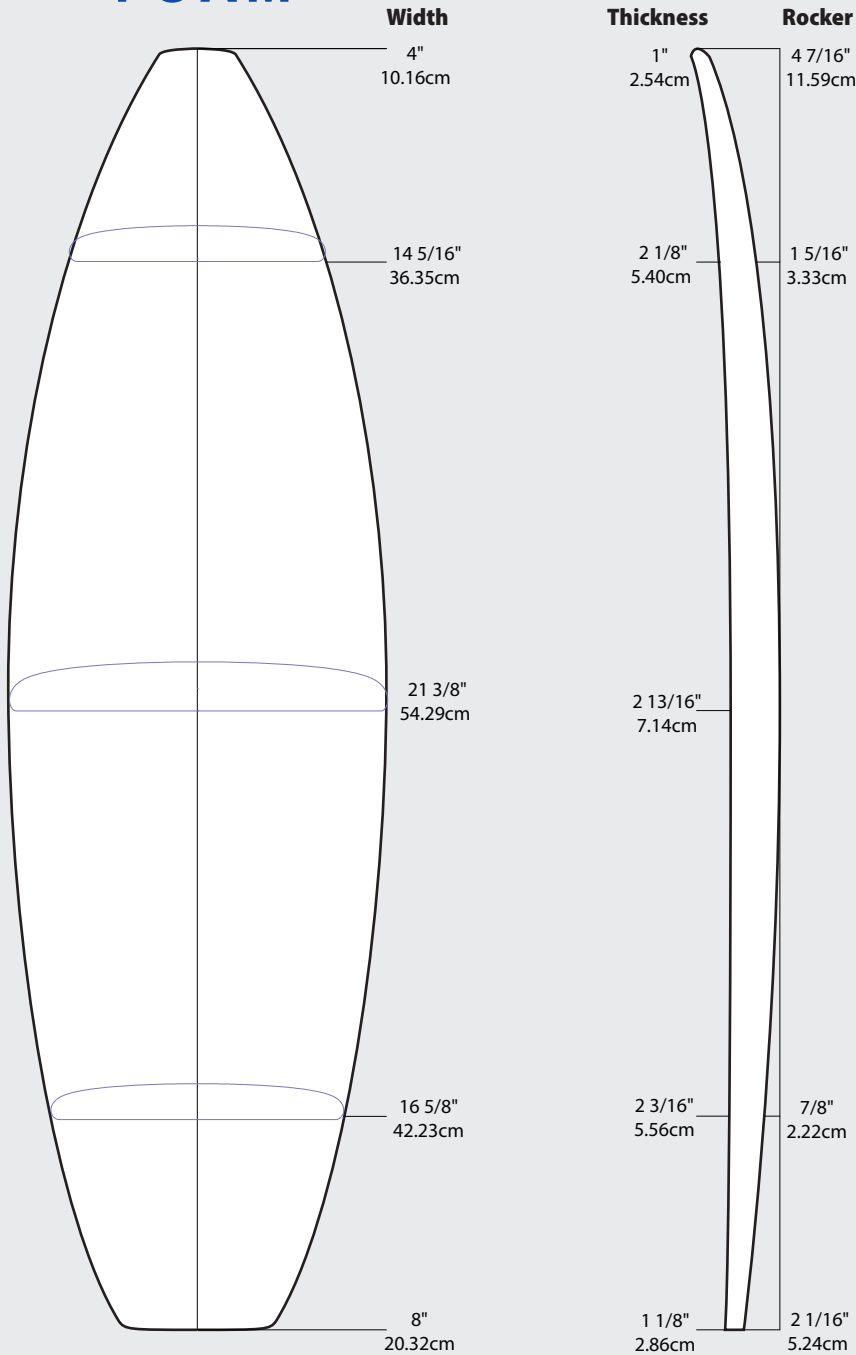
Available in Bio Foam

*Measurements are based on average production and may vary slightly



**ARCTIC
FOAM**

6'0" SB



Blank: 60SB (Shortboard)

Originating Date: April, 2006

Bottom Length: 6'0" (182.9cm)

Center Width: 21 3/8" (54.3cm)

Center Thickness: 2 13/16" (7.1cm)

Blank Volume: 42.24 liters

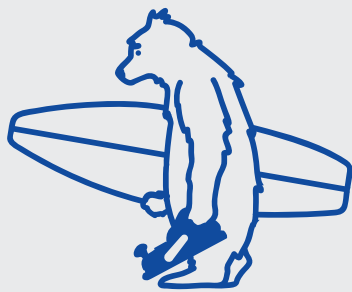
Blank Description: The 6'0SB is very popular for small shortboards. Thickness is carried through the nose of the blank. Blank has a slightly domed deck and flat bottom. Perfect for hand or machine shaping. Light weight, superior strength, great flex - Arctic quality. Foam Matters...Ride the Bear.



Available in Bio Foam

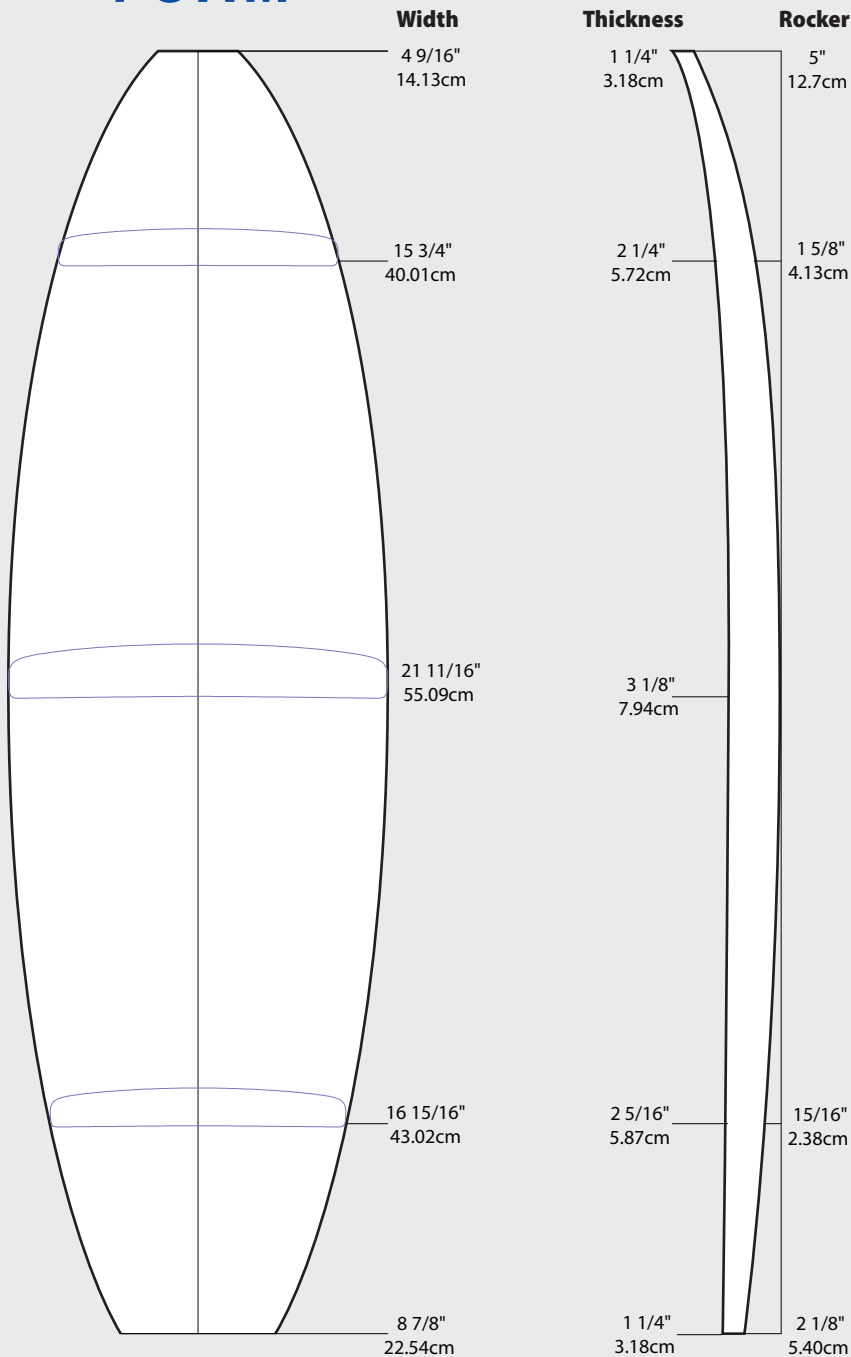
*Measurements are based on average production and may vary slightly

Perfered Stock Rocker: M06



**ARCTIC
FOAM**

6'1" SBF



Perfered Stock Rocker: NAT

Blank: 61 SBF (Shortboard)

Originating Date: August, 2012

Bottom Length: 6' 1 13/16" (187.5cm)

Center Width: 21' 11/16" (55.1cm)

Center Thickness: 3 1/8" (7.9cm)

Blank Volume: 51.31 liters

Blank Description: The SBF series covers a wide range of thicker, wider shortboards, fishes and single fins. Our smallest blank of the SBF family is designed for maximum versatility and is a great blank for shapers that want to carry less inventory. Thickness is carried through the nose and tail to accommodate various rocker designs.

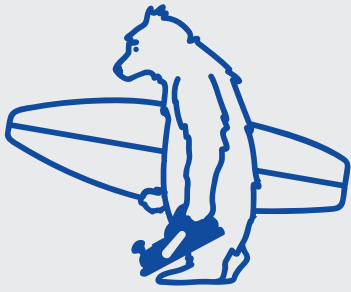
Boxy rails and a slightly concave bottom allow you to maximize this blank's thickness. Light weight, superior strength, great flex - Arctic quality.

Foam Matters...Ride the Bear.



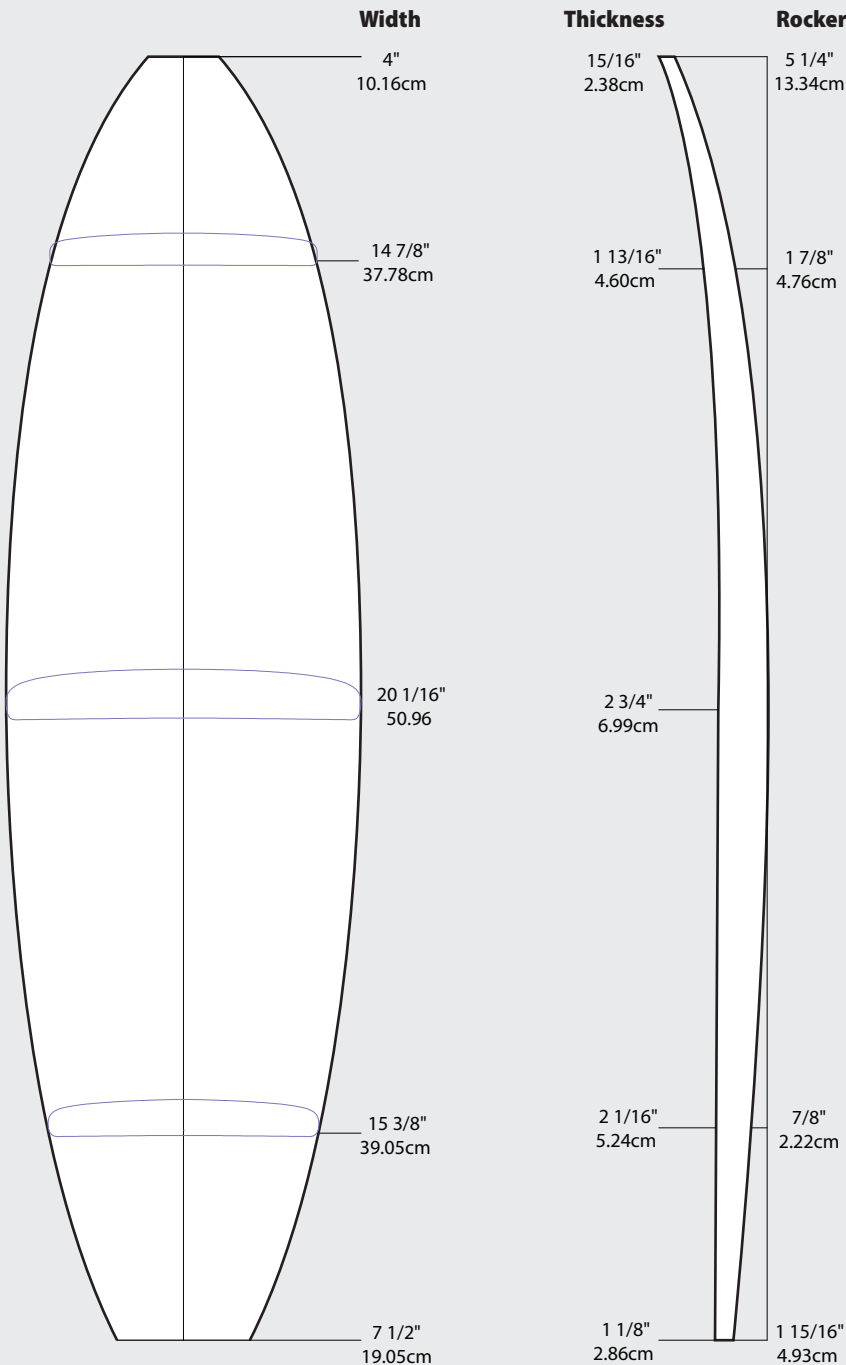
Available in Bio Foam

*Measurements are based on average production and may vary slightly



**ARCTIC
FOAM**

6'1" SBP



Blank: 61SBP (Shortboard)

Originating Date: October, 2009

Bottom Length: 6'1 3/4" (187.3cm)

Center Width: 20 1/16" (51.0cm)

Center Thickness: 2 3/4" (7.0cm)

Blank Volume: 38.27 liters

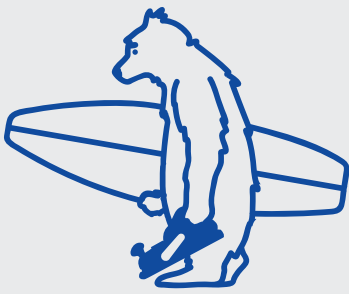
Blank Description: A slightly thinner shortboard blank. Boxy rails and a slightly concave bottom allow you to maximize this blank's thickness. Ideal for hand shaping. Light weight, superior strength, great flex - Arctic quality. Foam Matters...Ride the Bear



Available in Bio Foam

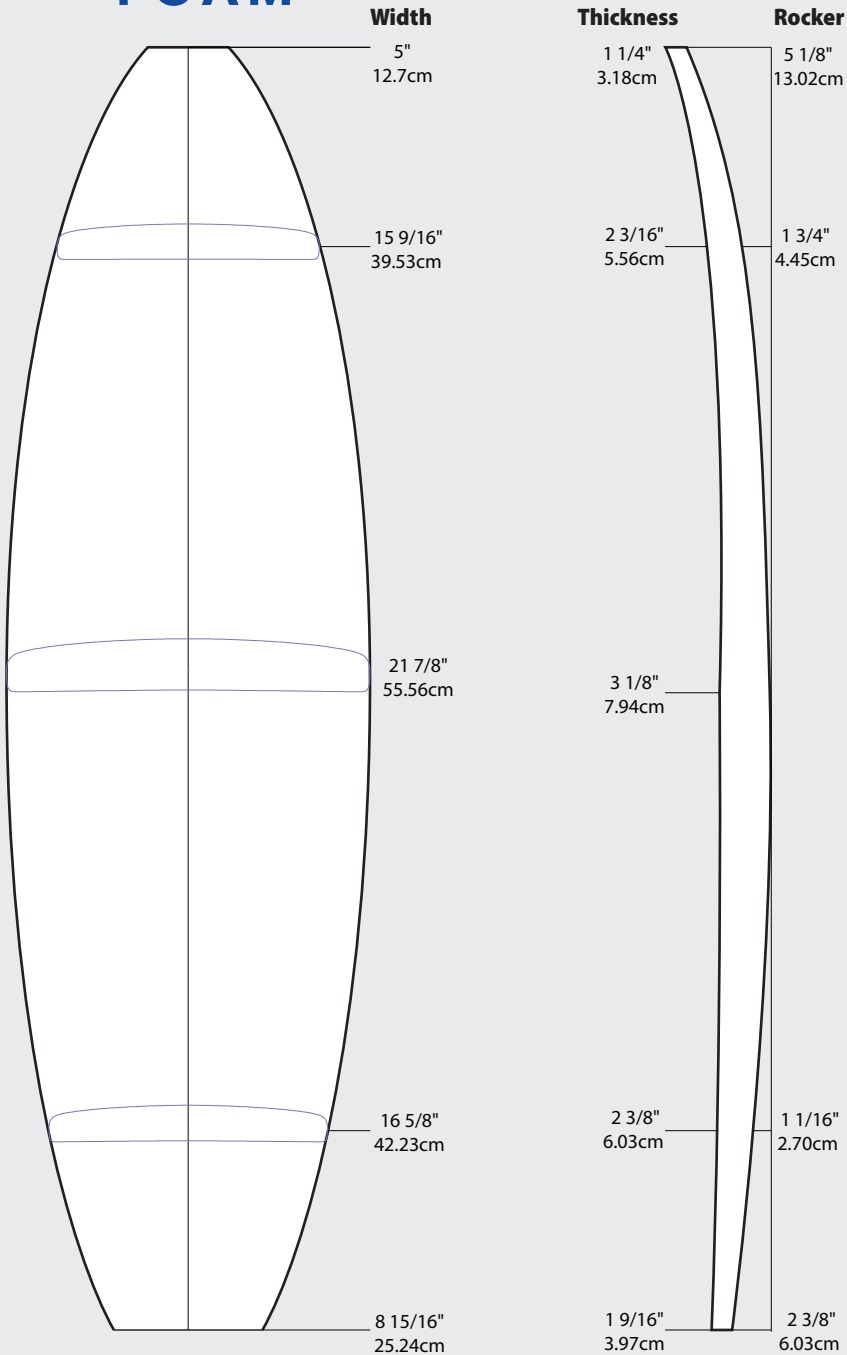
*Measurements are based on average production and may vary slightly

Perfered Stock Rocker: M06



**ARCTIC
FOAM**

6'4" SBF



Blank: 64 SBF (Shortboard)

Originating Date: October, 2009

Bottom Length: 6' 5 1/2" (196.9cm)

Center Width: 21' 7/8" (55.6cm)

Center Thickness: 3 1/8" (7.9cm)

Blank Volume: 54.61 liters

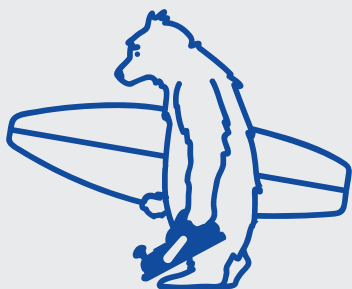
Blank Description: The SBF series covers a wide range of thicker, wider shortboards, fishes and single fins. Our workhorse of the SBF family is designed for maximum versatility and is a great blank for shapers that want to carry less inventory. Thickness is carried through the nose and tail to accommodate various rocker designs. Boxy rails and a slightly concave bottom allow you to maximize this blank's thickness. Light weight, superior strength, great flex - Arctic quality. Foam Matters...Ride the Bear.



Available in Bio Foam

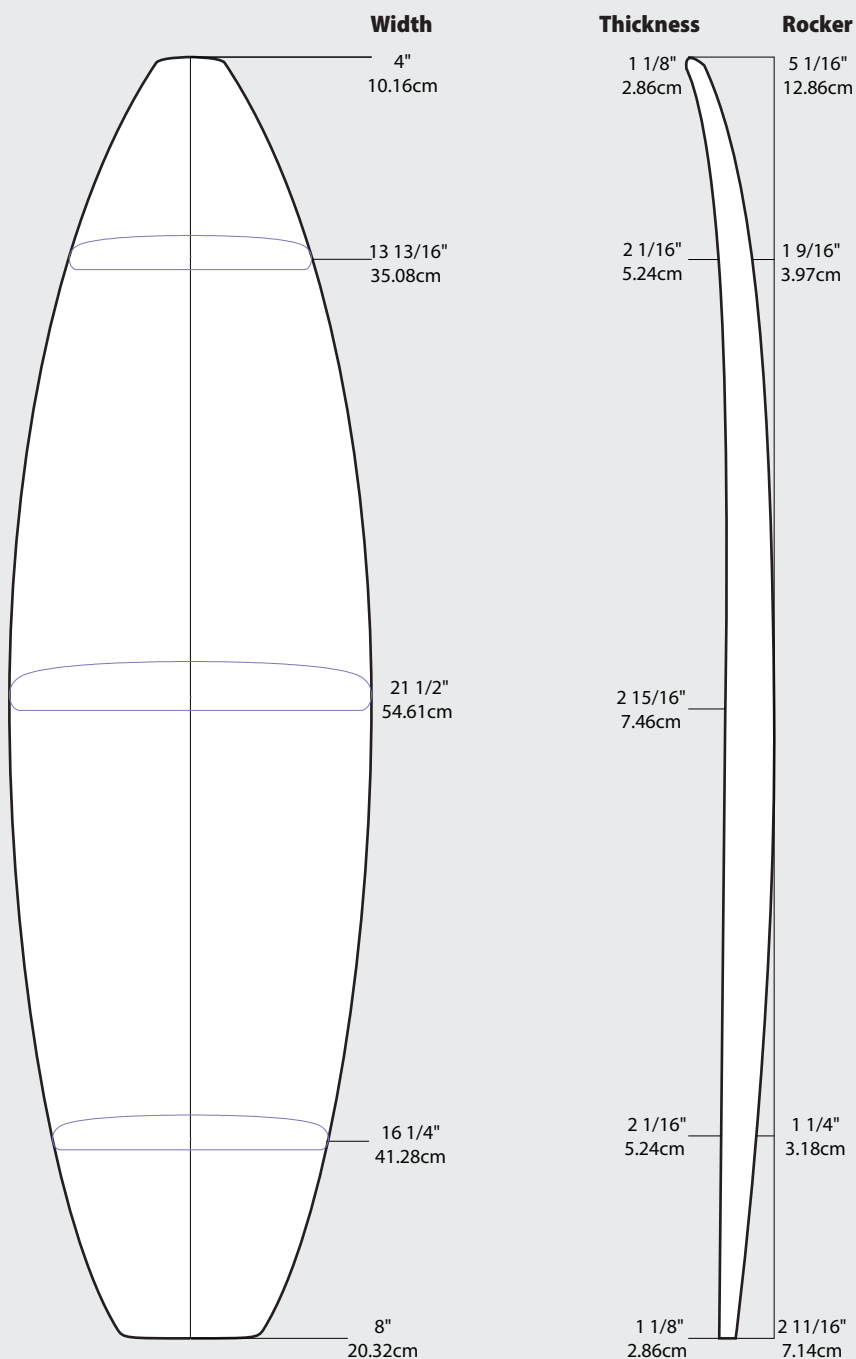
*Measurements are based on average production and may vary slightly

Perfered Stock Rocker: NAT



**ARCTIC
FOAM**

6'4" SBM



Perfered Stock Rocker: M06

Blank: 64SBM (Shortboard)

Originating Date: Feb., 2013

Bottom Length: 6'3 7/8" (192.7cm)

Center Width: 21 1/2" (54.6cm)

Center Thickness: 2 15/16" (7.5cm)

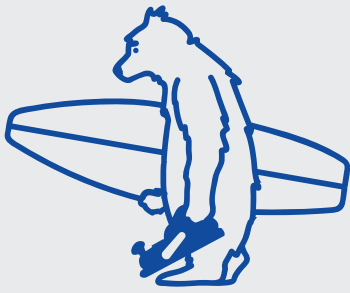
Blank Volume: 46.24 liters

Blank Description: One of our most popular blanks for shortboards. The 64SBM incorporates the right balance of deck curve and concave bottom to accommodate a variety of designs. Rails are slightly boxy and thickness is distributed nicely throughout the blank. Light weight, superior strength, great flex - Arctic quality. Foam Matters...Ride the Bear.



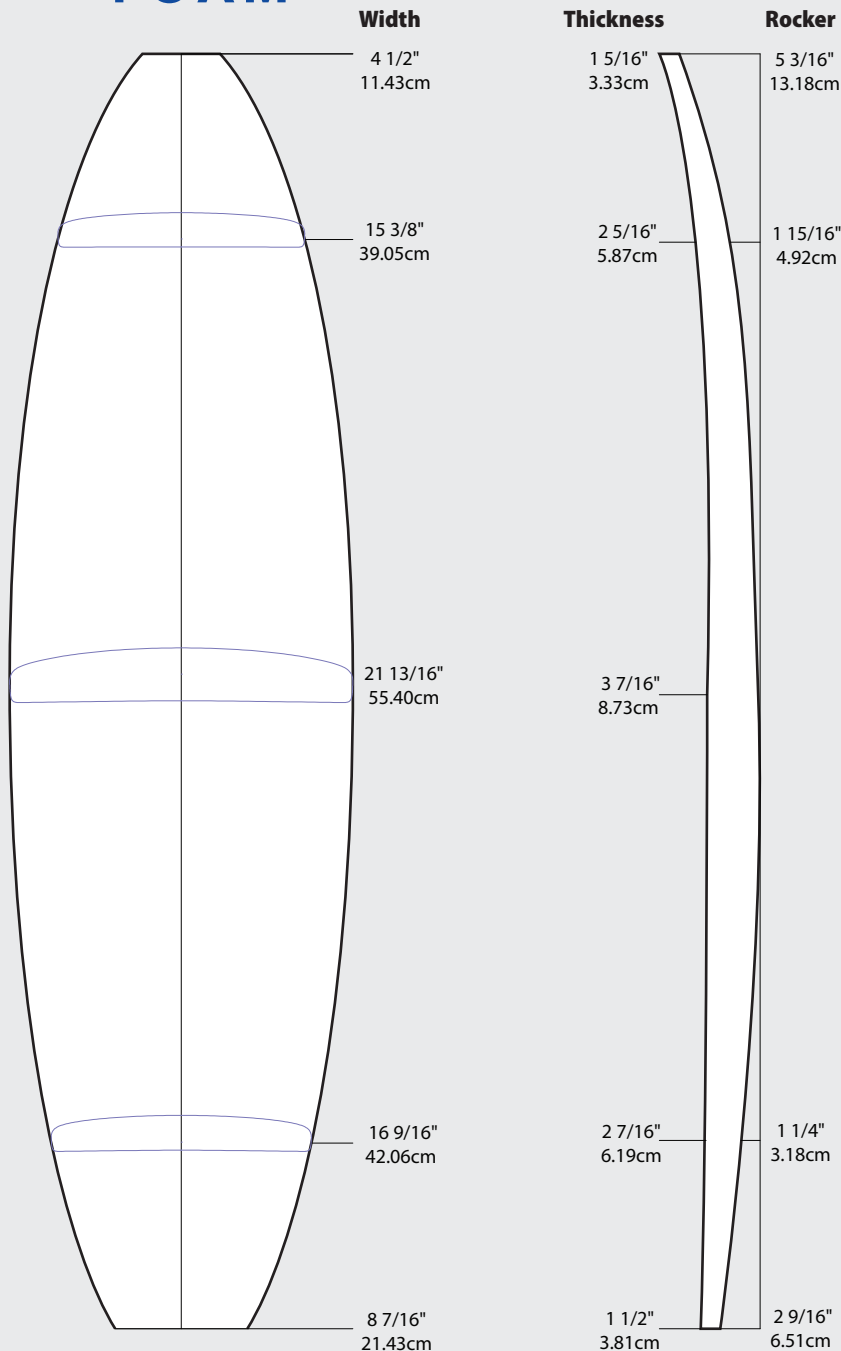
Available in Bio Foam

**Measurements are based on average production and may vary slightly*



**ARCTIC
FOAM**

6'8" SBF



Blank: 68SBF (Shortboard)

Originating Date: April, 2010

Bottom Length: 6'9"(205.7cm)

Center Width: 21 13/16" (55.4cm)

Center Thickness: 3 7/16" (8.7cm)

Blank Volume: 59.5 liters

Blank Description: The SBF series covers a wide range of thicker, wider shortboards, fishes and single fins. The 68SBF is designed for maximum versatility and is a great blank for shapers that want to carry less inventory. Blank has slight concave bottom and thickness is carried through the nose, tail, and rails to accommodate a variety of designs and rockers. Light weight, superior strength, great flex - Arctic quality. Foam Matters...Ride the Bear.



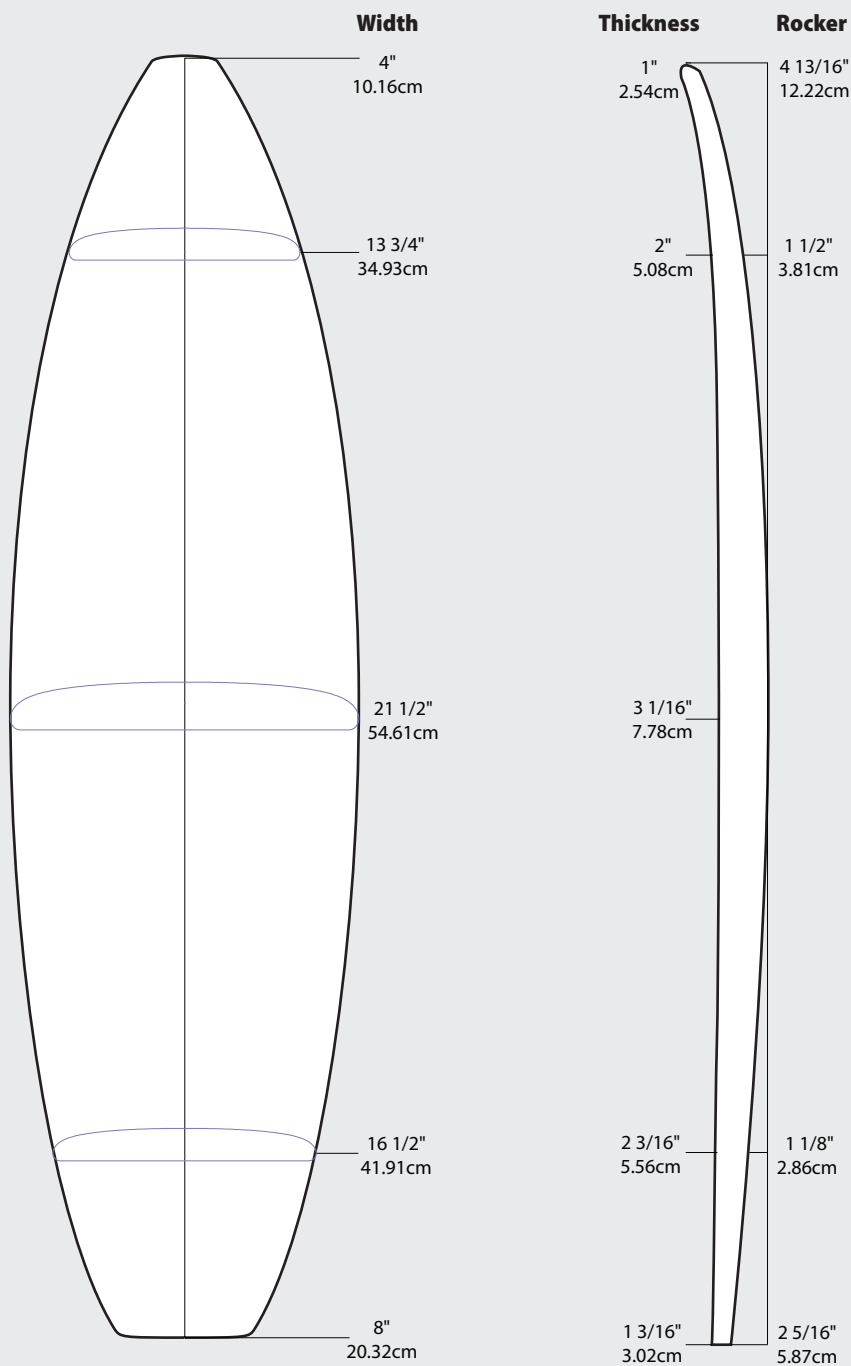
Available in Bio Foam

*Measurements are based on average production and may vary slightly

Perfered Stock Rocker: NAT



6'8" SBM



Perfered Stock Rocker: M06

Blank: 68SBM (Shortboard)

Originating Date: April, 2006

Bottom Length: 6'8" (203.2cm)

Center Width: 21 1/2" (54.6cm)

Center Thickness: 3 1/16" (7.8cm)

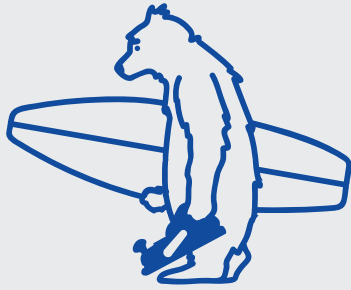
Blank Volume: 49.31 liters

Blank Description: The 68SBM is designed for the everyday shortboard, slightly longer high performance shortboards, or step up guns. Light weight, superior strength, great flex - Arctic quality. Foam Matters...Ride the Bear.



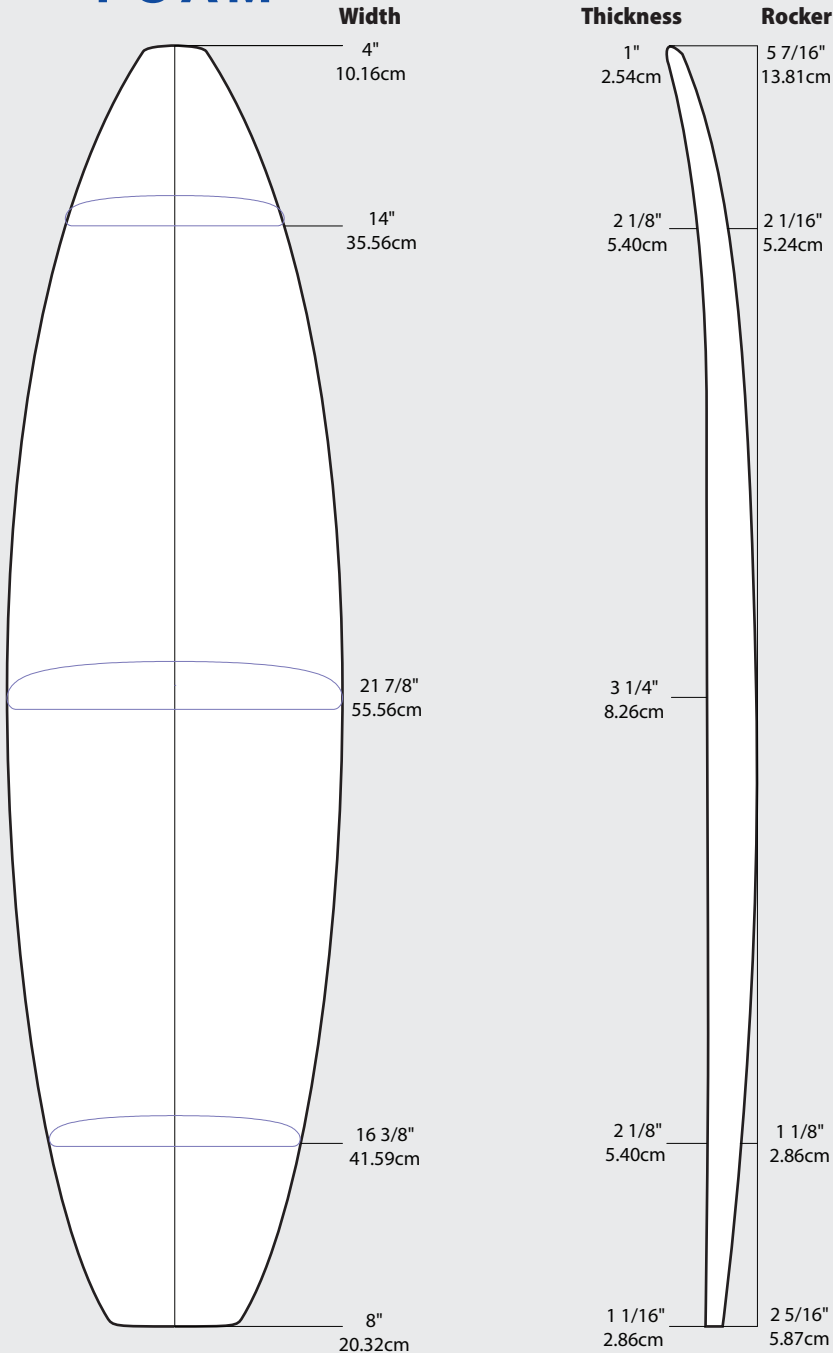
Available in Bio Foam

*Measurements are based on average production and may vary slightly



**ARCTIC
FOAM**

7'0" SB



Blank: 70SB (Shortboard)

Originating Date: April, 2006

Bottom Length: 7' 0" (213.4cm)

Center Width: 21 7/8" (55.56cm)

Center Thickness: 3 1/4" (8.3cm)

Blank Volume: 56.13 liters

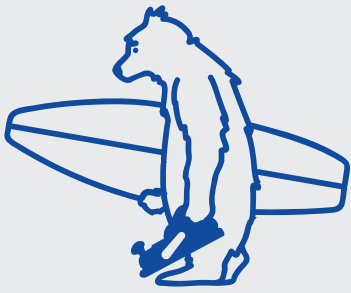
Blank Description: The 70SB is great for slightly longer high performance shortboards or step up guns. Blank has slightly domed deck and a flat bottom. Light weight, superior strength, great flex- Arctic quality. Foam Matters...Ride the Bear.



Available in Bio Foam

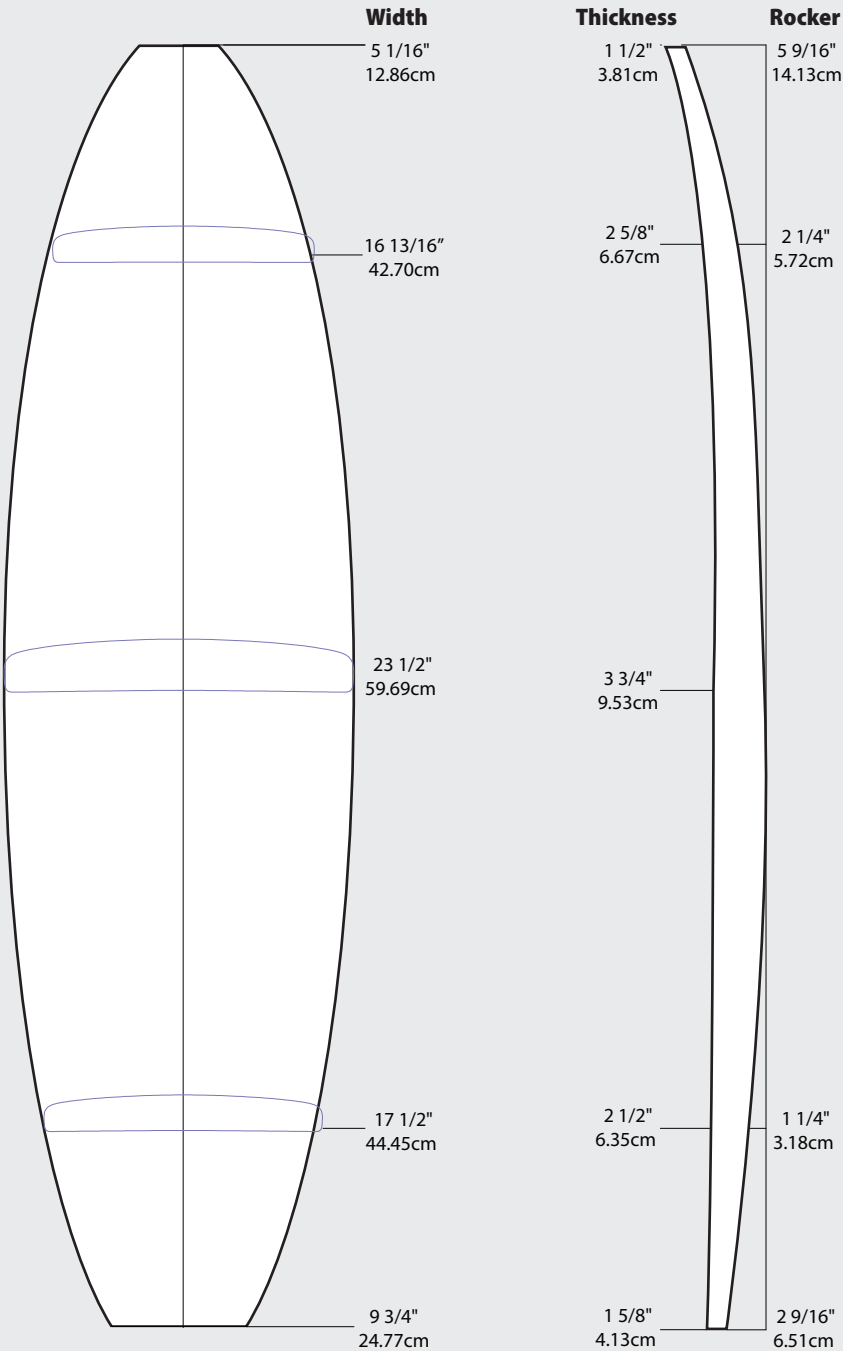
*Measurements are based on average production and may vary slightly

Perfered Stock Rocker: HG9



**ARCTIC
FOAM**

7'3" SBF



Blank: 73 SBF (Shortboard)

Originating Date: April, 2019

Bottom Length: 7'3" (221cm)

Center Width: 23 1/2" (56.7cm)

Center Thickness: 3 3/4" (9.5cm)

Blank Volume: 77.17 liters

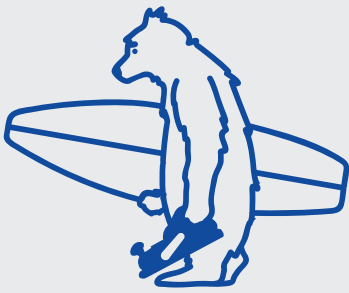
Blank Description: The SBF series covers a wide range of thicker, wider shortboards, fishes and single fins. The newest member of the SBF family is designed for maximum versatility and is a great blank for shapers that want to carry less inventory. Blank has slight concave bottom and thickness is carried through the nose, tail, and rails to accommodate a variety of designs and rockers. Light weight, superior strength, great flex - Arctic quality. Foam Matters...Ride the Bear.



Available in Bio Foam

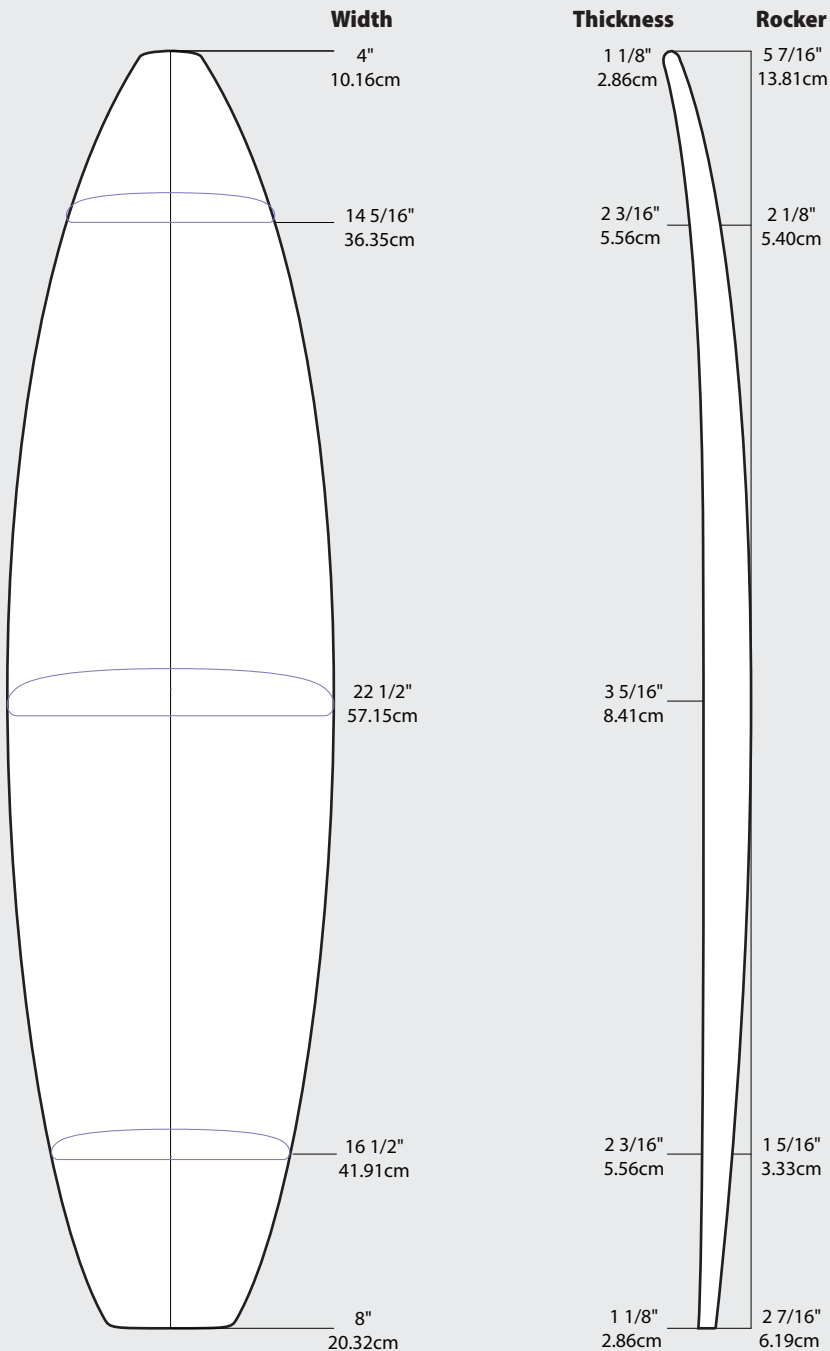
*Measurements are based on average production and may vary slightly

Perfered Stock Rocker: NAT



**ARCTIC
FOAM**

7'4" SB



Blank: 74SB (Shortboard)

Originating Date: April, 2006

Bottom Length: 7'3 1/2" (222.3cm)

Center Width: 22 1/2" (57.2cm)

Center Thickness: 3 1/4" (8.4cm)

Blank Volume: 62.12 liters

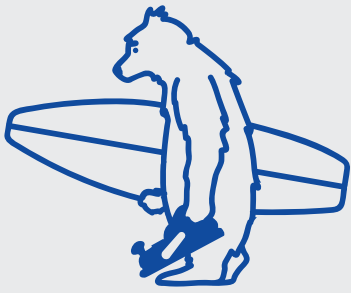
Blank Description: The 74SB is great for longer high performance shortboards or step up guns. Blank has a slightly domed deck and a flat bottom. Light weight, superior strength, great flex - Arctic quality. Foam Matters...Ride the Bear.



Available in Bio Foam

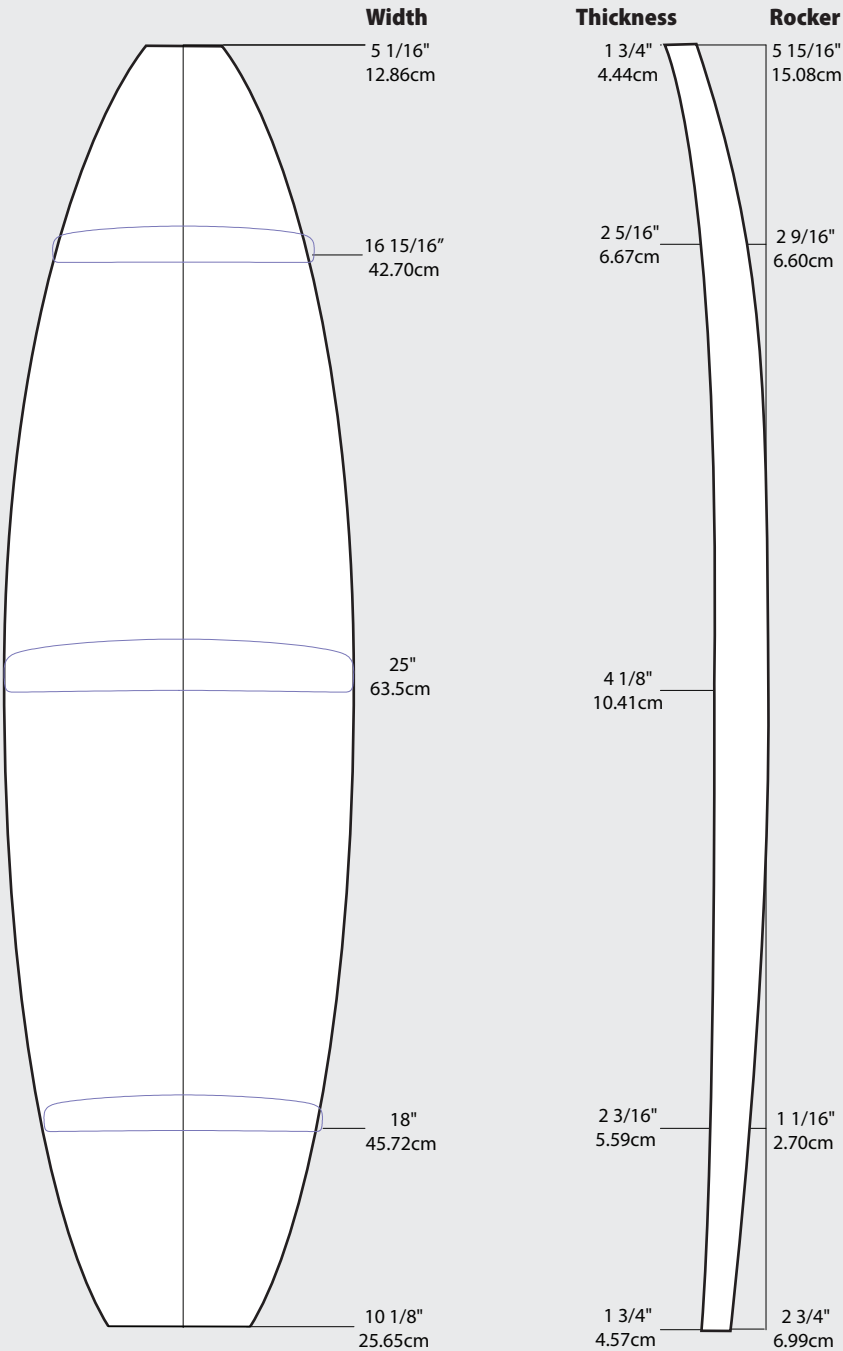
*Measurements are based on average production and may vary slightly

Perfered Stock Rocker: HG9



**ARCTIC
FOAM**

7'9" SBF



Blank: 79 SBF (Shortboard)

Originating Date: Jan, 2020

Bottom Length: 7'10" (2369cm)

Center Width: 25" (63.5cm)

Center Thickness: 4 1/8" (10.4cm)

Blank Volume: 95.86 liters

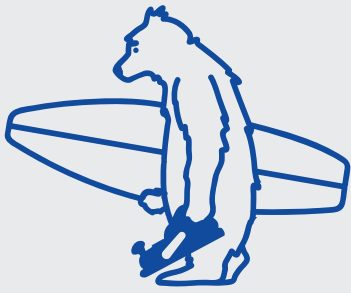
Blank Description: The SBF series covers a wide range of thicker, wider shortboards, fishes and single fins. The newest member of the SBF family is designed for maximum versatility and is a great blank for shapers that want to carry less inventory. Blank has slight concave bottom and thickness is carried through the nose, tail, and rails to accommodate a variety of designs and rockers. Light weight, superior strength, great flex - Arctic quality. Foam Matters...Ride the Bear.



Available in Bio Foam

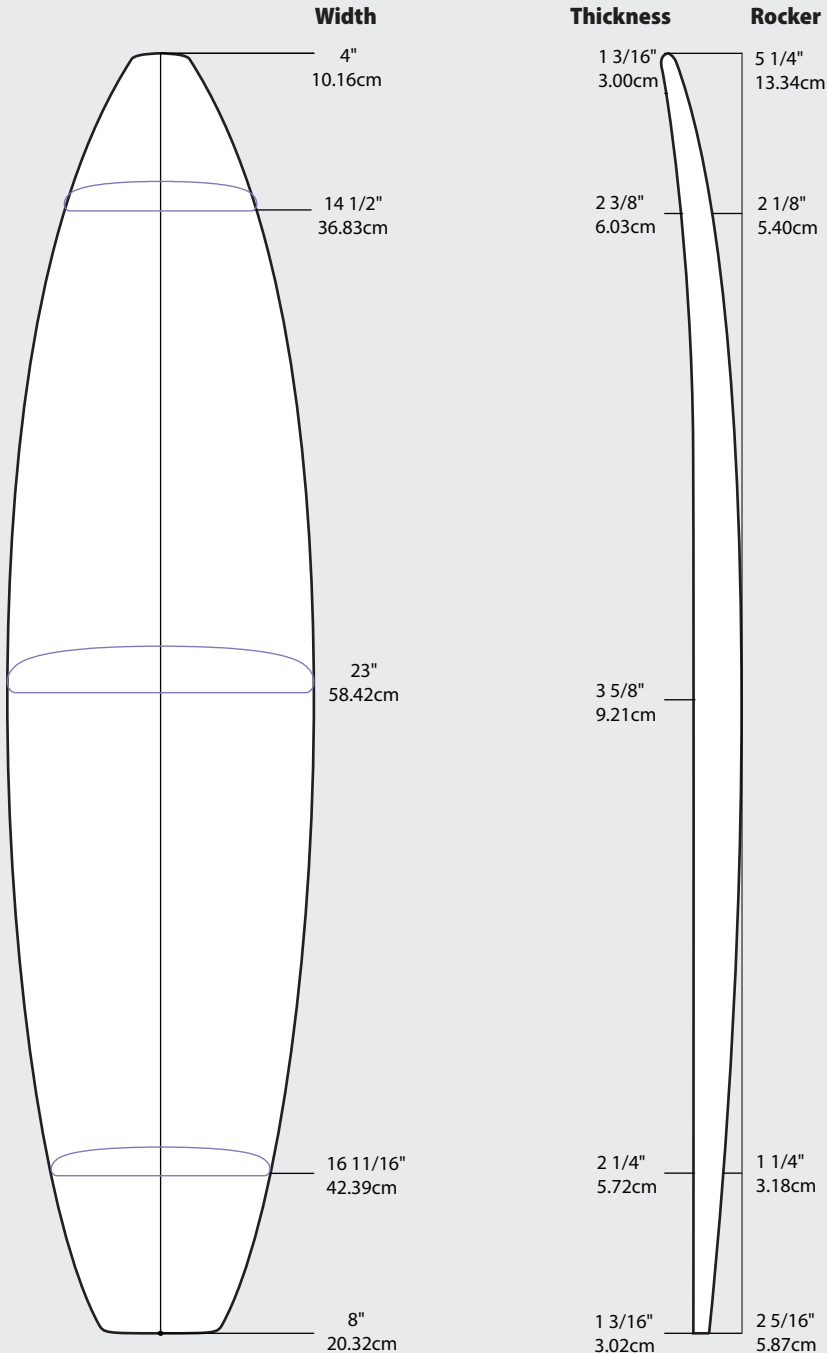
*Measurements are based on average production and may vary slightly

Perfered Stock Rocker: NAT



**ARCTIC
FOAM**

8'0" SB



Blank: 80SB (Shortboard)

Originating Date: April, 2006

Bottom Length: 7'8 3/4" (235.6cm)

Center Width: 23" (58.4cm)

Center Thickness: 3 5/8" (9.2cm)

Blank Volume: 73.84 liters

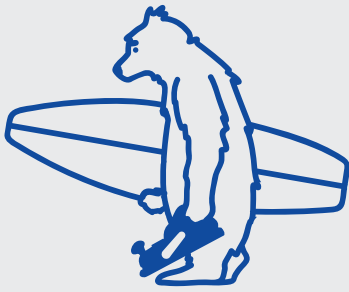
Blank Description: This blank is great for longer high performance shortboards or step up guns. Blank has a slightly domed deck and a flat bottom. Light weight, superior strength, great flex - Arctic quality. Foam Matters...Ride the Bear.



Available in Bio Foam

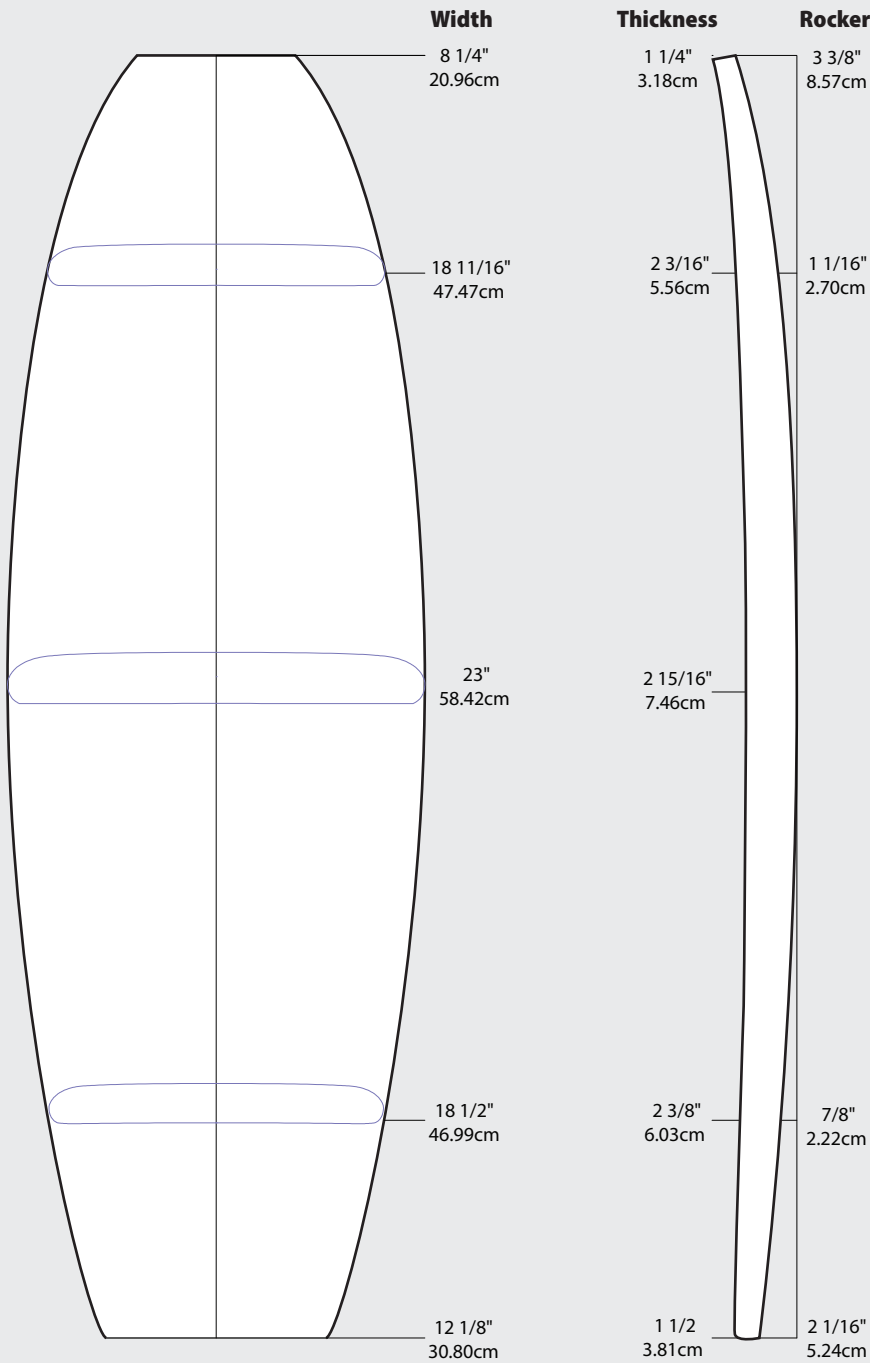
*Measurements are based on average production and may vary slightly

Perfered Stock Rocker: HG9



**ARCTIC
FOAM**

5'10" MF



Perfered Stock Rocker: NAT

Blank: 510MF (Fish)

Originating Date: January, 2009

Bottom Length: 5'10 7/8" (180.0cm)

Center Width: 23" (58.4cm)

Center Thickness: 2 15/16" (7.5cm)

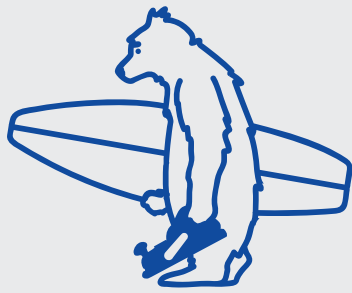
Blank Volume: 51.46 liters

Blank Description: The 510MF is a classic fish blank, designed by Larry Mable and Skip Frye. This popular blank has flat deck and bottom. Thickness is carried throughout the blank. Light weight, superior strength, great flex - Arctic quality. Foam Matters...Ride the Bear.



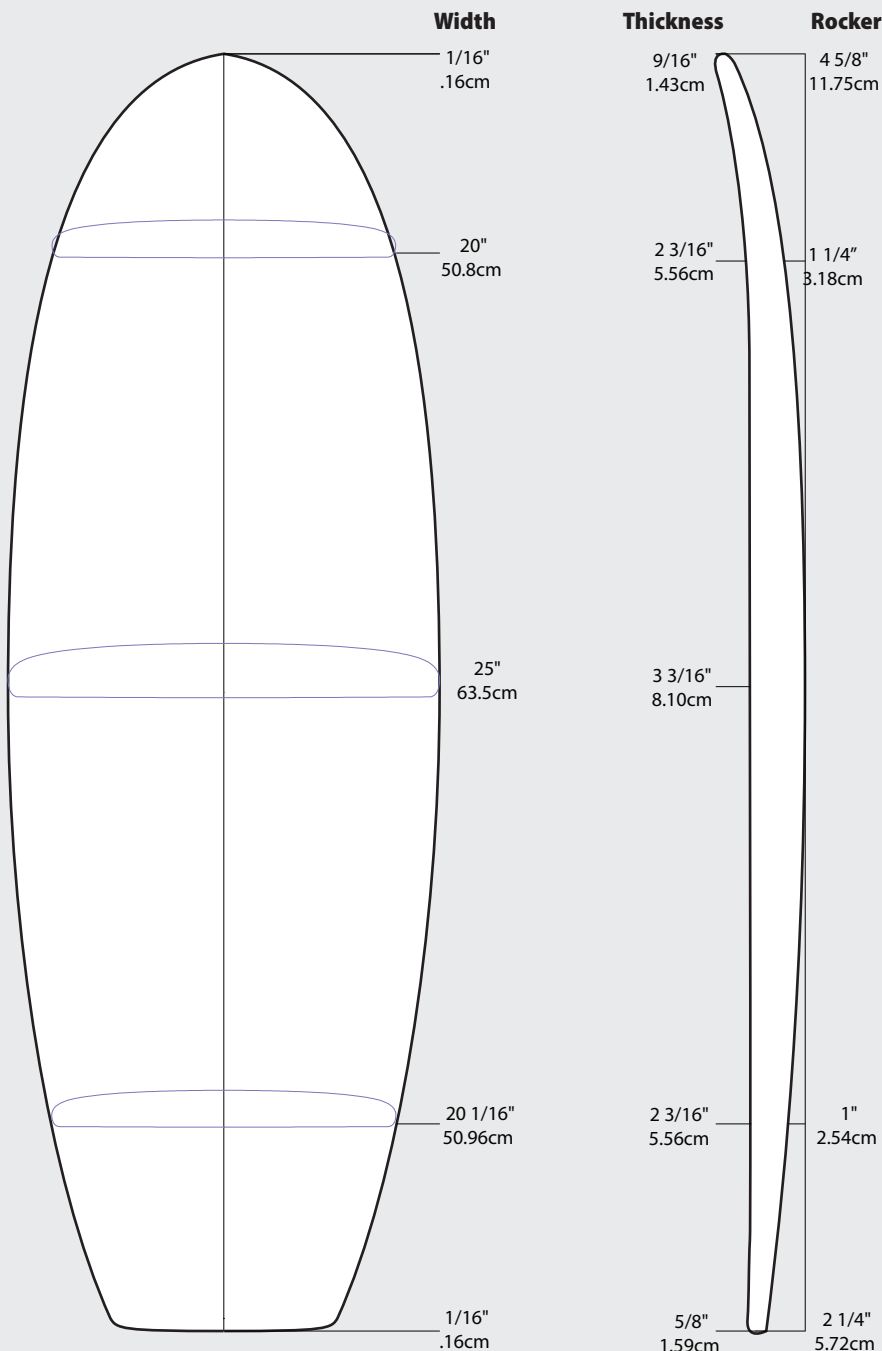
Available in Bio Foam

*Measurements are based on average production and may vary slightly



**ARCTIC
FOAM**

6'2" F



Perfered Stock Rocker: NAT

Blank: 62F (Fish)

Originating Date: July, 2009

Bottom Length: 6'2 1/8" (188.3cm)

Center Width: 25" (63.5cm)

Center Thickness: 3 3/16" (8.1cm)

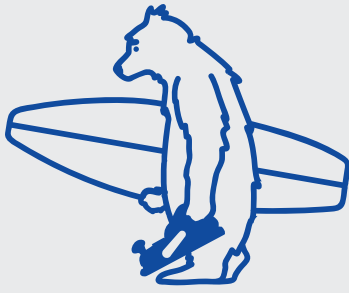
Blank Volume: 58.39 liters

Blank Description: The F series is great for very wide surfboards. This blank was originally designed for fish and kneeboards. The 62F has a flat deck and bottom with a slightly foiled out tail. Light weight, superior strength, great flex - Arctic quality. Foam Matters...Ride the Bear.



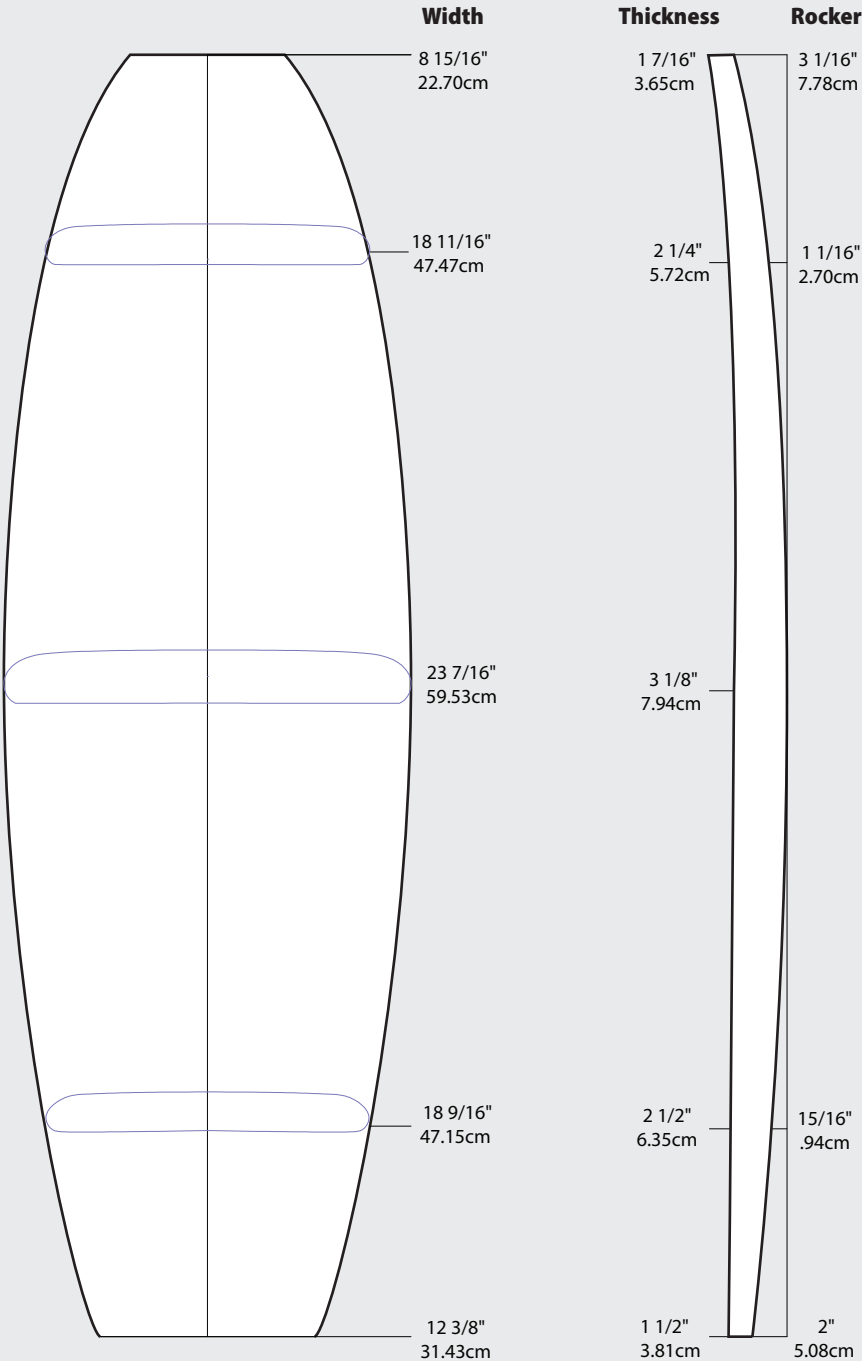
Available in Bio Foam

*Measurements are based on average production and may vary slightly



**ARCTIC
FOAM**

6'2" MF



Perfered Stock Rocker: NAT

Blank: 62MF (Fish)

Originating Date: January, 2009

Bottom Length: 6'3" (190.5cm)

Center Width: 23 7/16" (59.5cm)

Center Thickness: 3 1/8" (7.9cm)

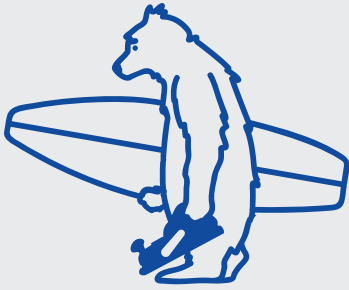
Blank Volume: 58.8 liters

Blank Description: The 62MF is a classic fish blank, designed by Larry Mable and Skip Frye. This versatile blank has flat deck and bottom. Thickness is carried throughout the blank. Light weight, superior strength, great flex - Arctic quality. Foam Matters...Ride the Bear.



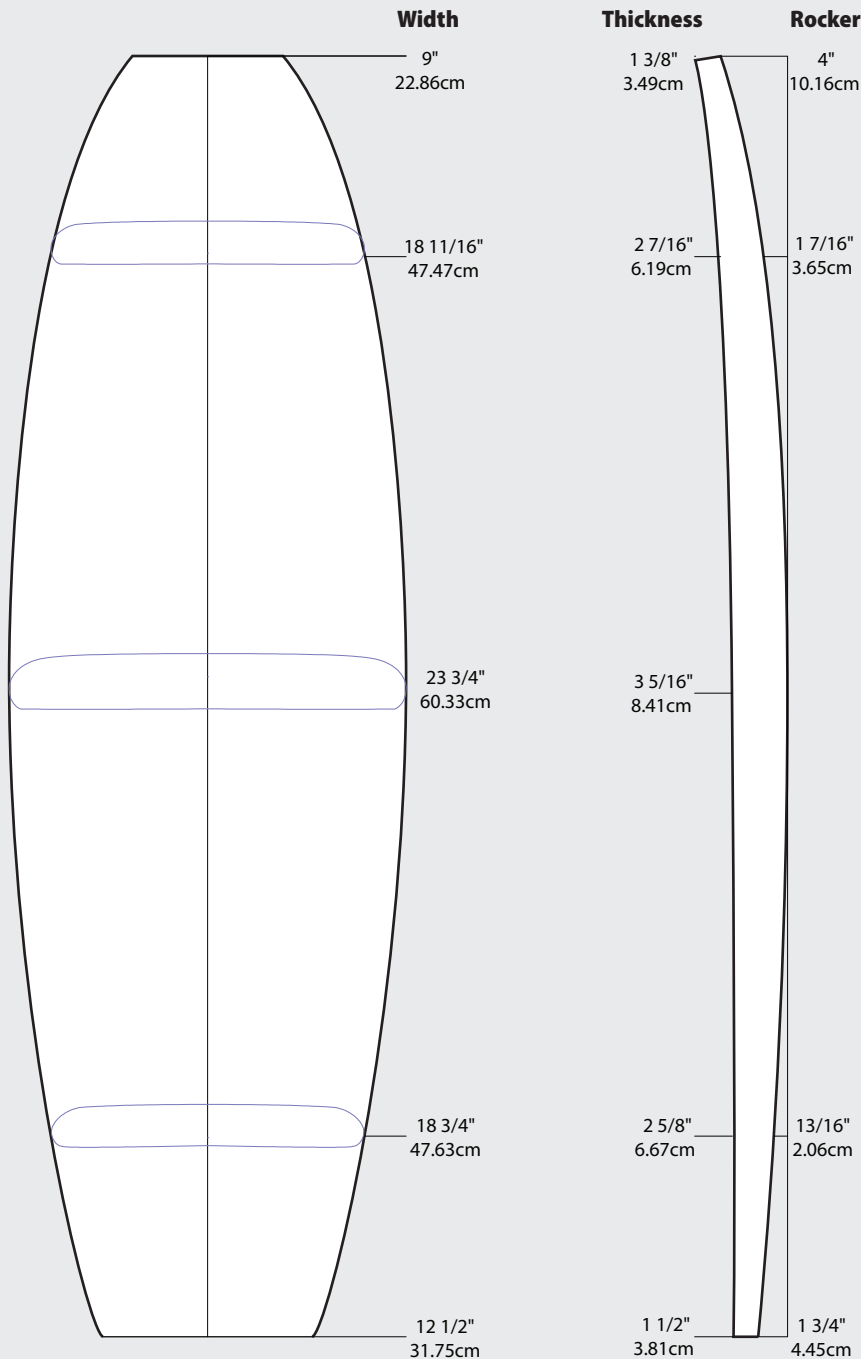
Available in Bio Foam

*Measurements are based on average production and may vary slightly



**ARCTIC
FOAM**

6'4" MF



Perfered Stock Rocker: NAT

Blank: 64MF (Fish)

Originating Date: June, 2011

Bottom Length: 6'5 1/4" (196.2cm)

Center Width: 23' 3/4"(60.3cm)

Center Thickness: 3 5/16" (8.4cm)

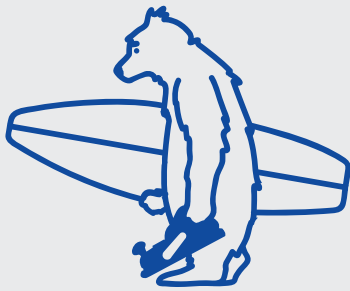
Blank Volume: 67.44 liters

Blank Description: The 64MF is a classic fish blank, designed by Larry Mable and Skip Frye. This blank has a flat deck and bottom. Thickness is carried throughout the blank. Light weight, superior strength, great flex - Arctic quality. Foam Matters...Ride the Bear.



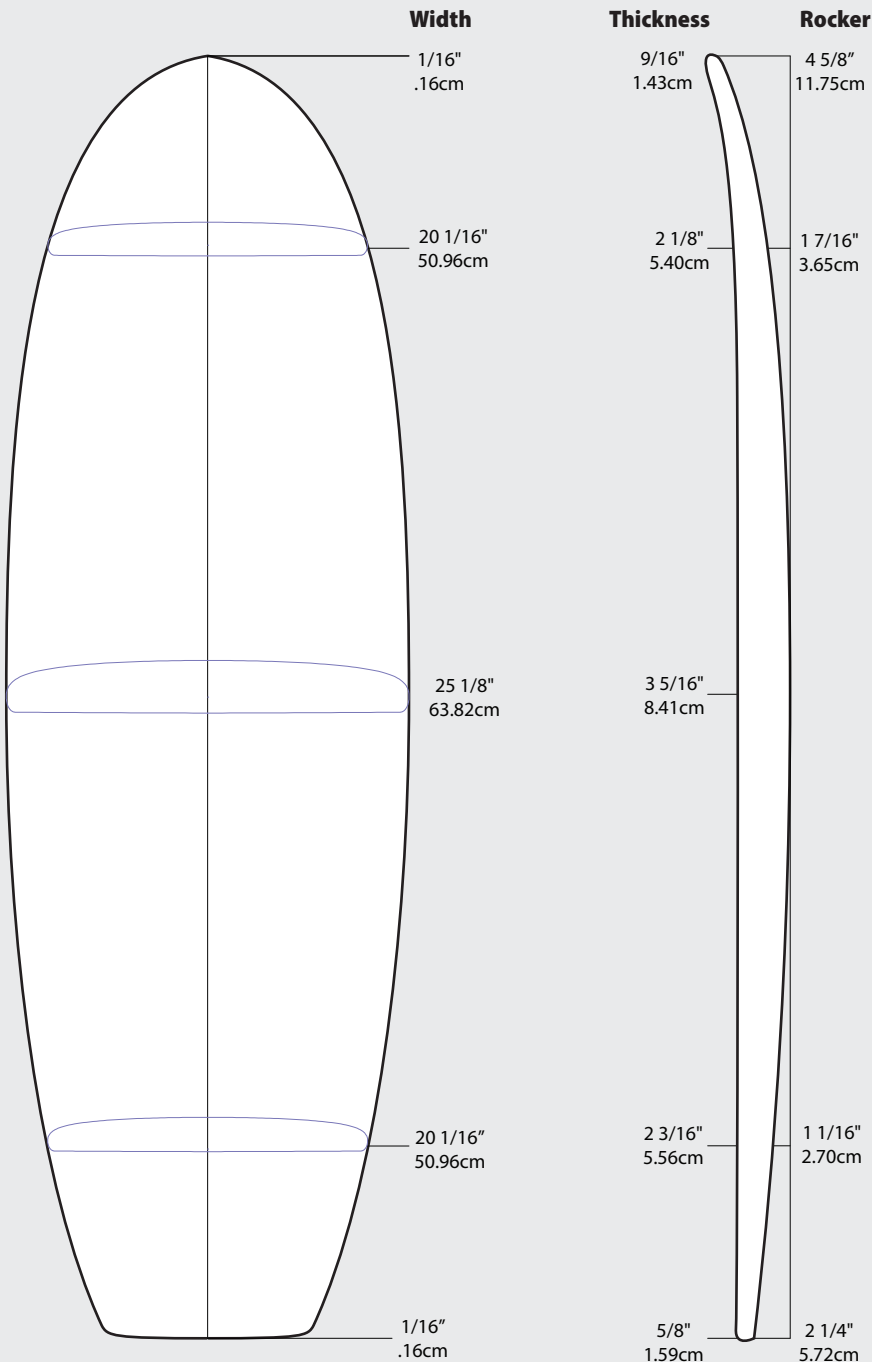
Available in Bio Foam

**Measurements are based on average production and may vary slightly*



**ARCTIC
FOAM**

6'8" F



Blank: 68F (Fish)

Originating Date: July, 2006

Bottom Length: 6'8 1/2" (204.5cm)

Center Width: 25 1/8" (63.8cm)

Center Thickness: 3 5/16" (8.4cm)

Blank Volume: 65.87 liters

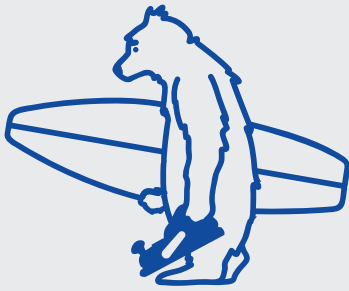
Blank Description: The F series is great for very wide surfboards. This blank was originally designed for fish and kneeboards. The 68F has a flat deck and bottom with a slightly foiled out tail. Light weight, superior strength, great flex - Arctic quality. Foam Matters...Ride the Bear.



Available in Bio Foam

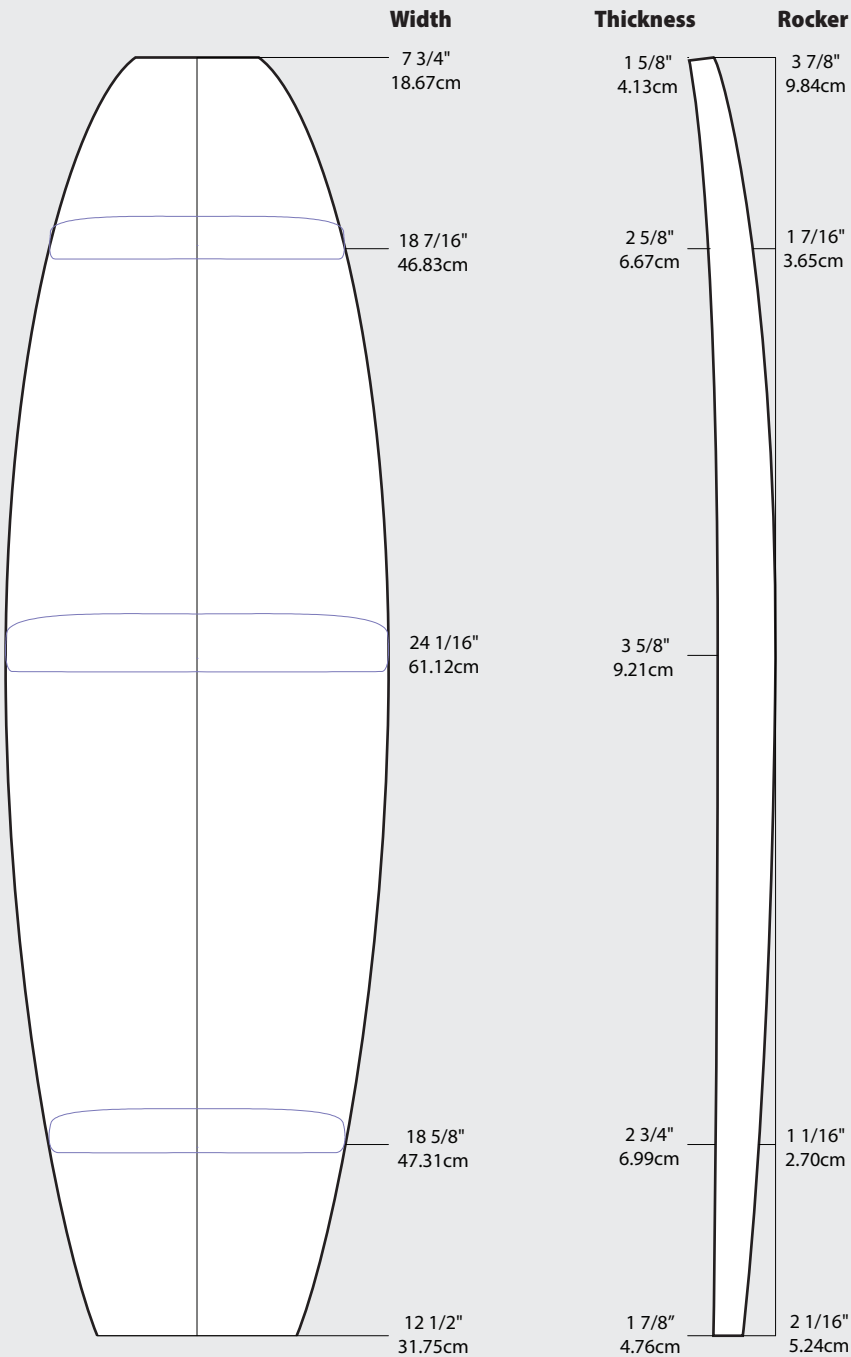
*Measurements are based on average production and may vary slightly

Perfered Stock Rocker: NAT



**ARCTIC
FOAM**

6'8" MF



Perfered Stock Rocker: NAT

Blank: 68MF (Fish)

Originating Date: January, 2009

Bottom Length: 6'8 3/4" (205.1cm)

Center Width: 24 1/16" (61.1cm)

Center Thickness: 3 5/8" (9.2cm)

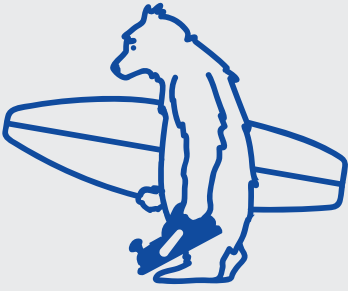
Blank Volume: 79.5 liters

Blank Description: The 68MF is a classic fish blank, designed by Larry Mable and Skip Frye. This blank has a flat deck and bottom. Thickness is carried throughout the blank. Light weight, superior strength, great flex - Arctic quality. Foam Matters...Ride the Bear.



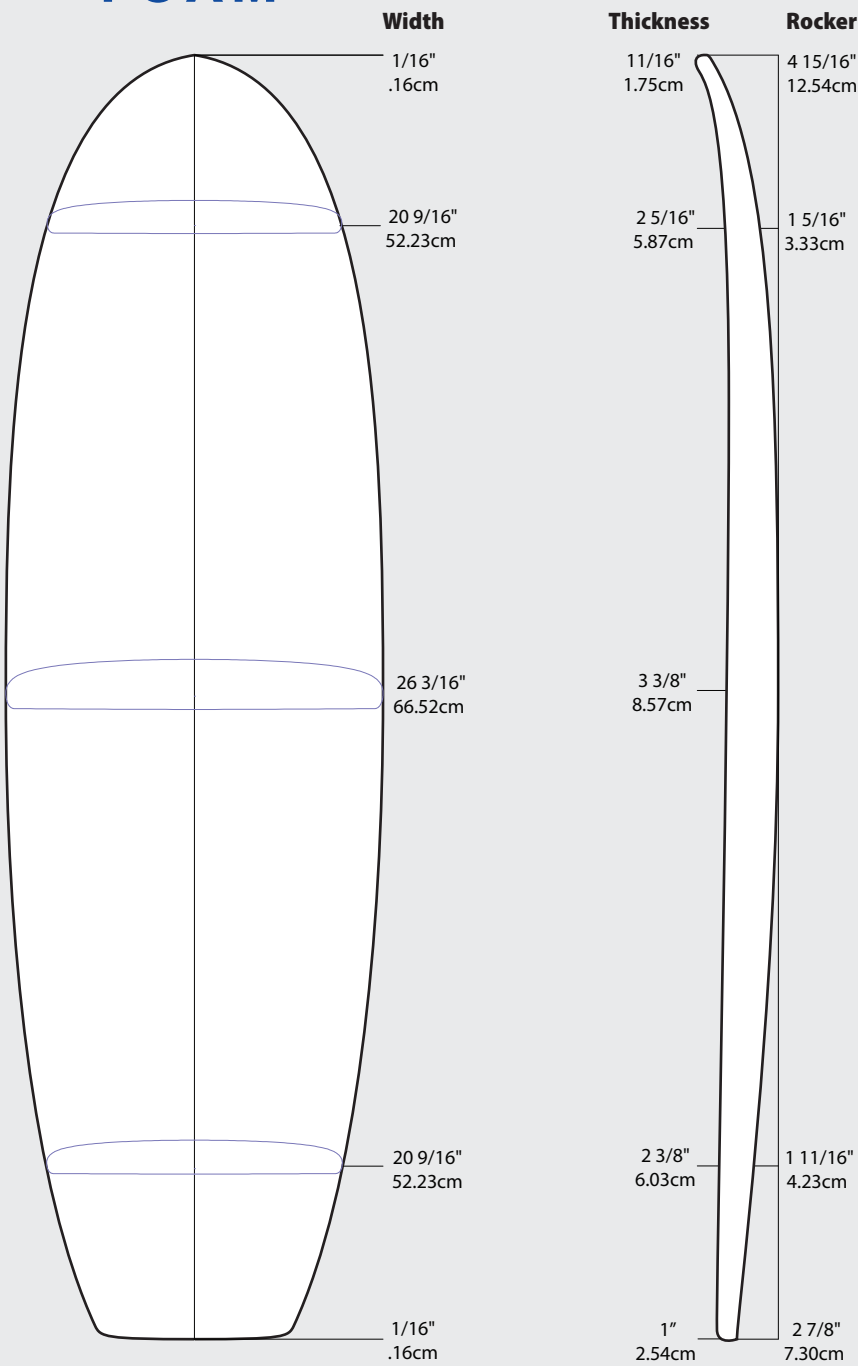
Available in Bio Foam

*Measurements are based on average production and may vary slightly



**ARCTIC
FOAM**

7'2" F



Blank: 72F (Fish)

Originating Date: July, 2006

Bottom Length: 7'2 5/8" (220.0cm)

Center Width: 26 3/16" (66.5cm)

Center Thickness: 3 3/8" (8.6cm)

Blank Volume: 74.06 liters

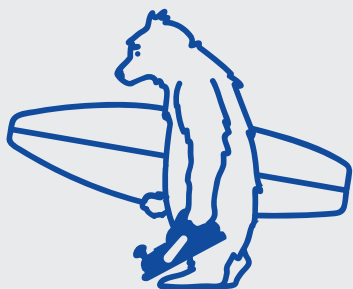
Blank Description: The F series is great for very wide surfboards. This blank was originally designed for fish and kneeboards. The 72F has a flat deck and bottom with a slightly foiled out tail. Light weight, superior strength, great flex - Arctic quality. Foam Matters...Ride the Bear.



Available in Bio Foam

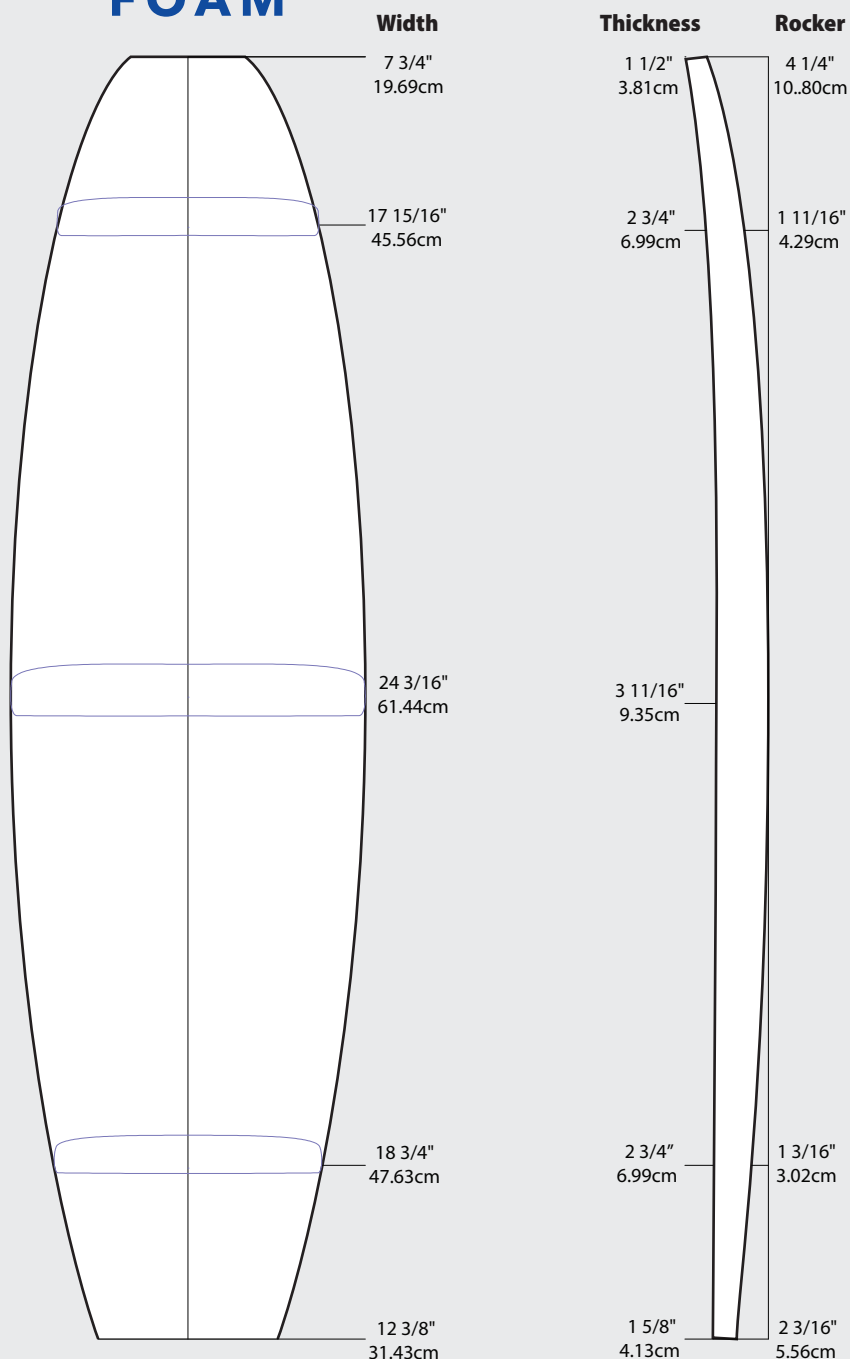
*Measurements are based on average production and may vary slightly

Perfered Stock Rocker: NAT



**ARCTIC
FOAM**

7'2" MF



Blank: 72MF (Fish)

Originating Date: January, 2009

Bottom Length: 7'3 7/8" (223.2cm)

Center Width: 24 3/16" (61.4cm)

Center Thickness: 3 11/16" (9.4cm)

Blank Volume: 86.30 liters

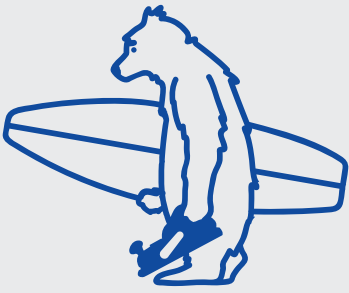
Blank Description: The 72MF is a classic fish blank, designed by Larry Mable and Skip Frye. This blank has a flat deck and bottom. Thickness is carried throughout the blank. Light weight, superior strength, great flex - Arctic quality. Foam Matters...Ride the Bear.



Available in Bio Foam

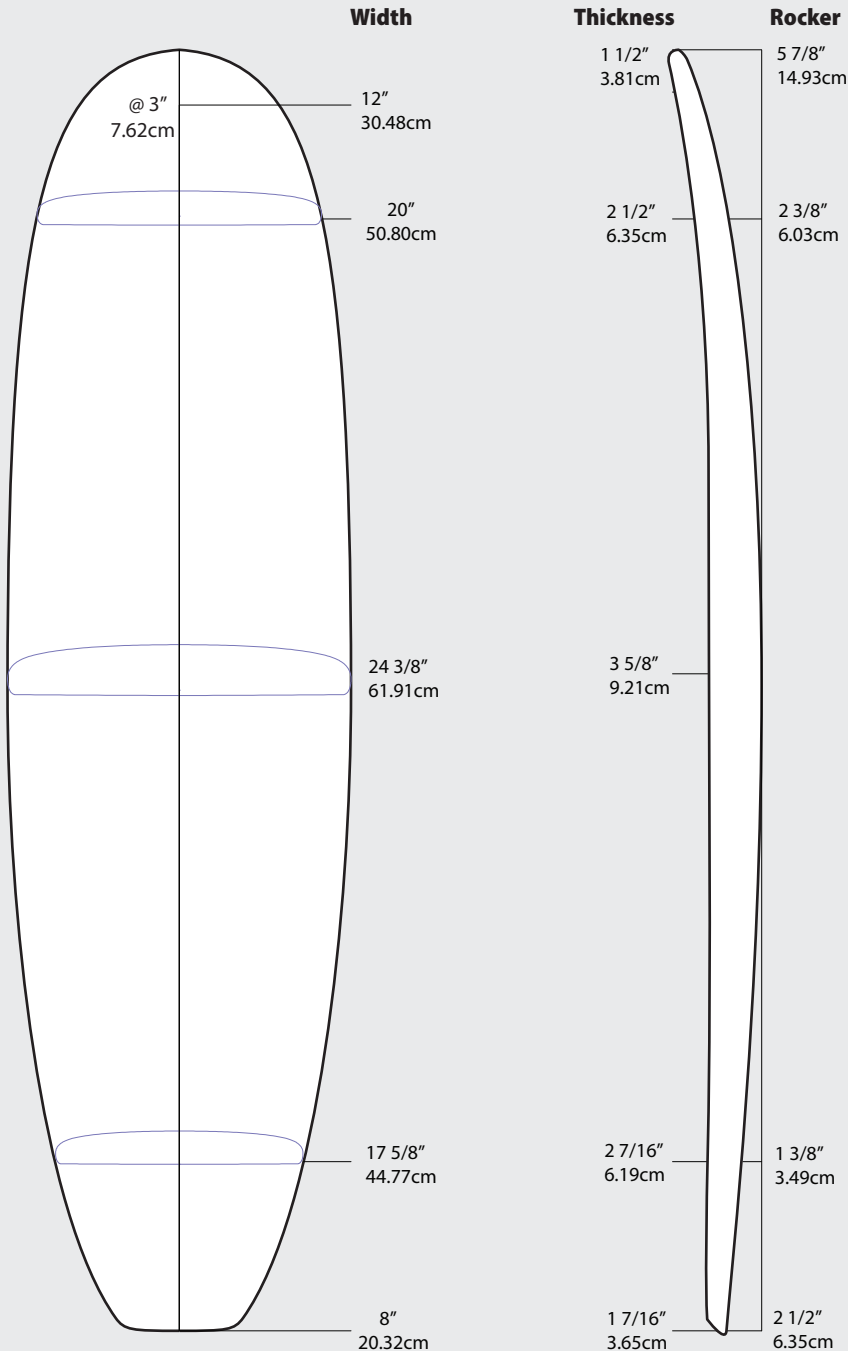
*Measurements are based on average production and may vary slightly

Perfered Stock Rocker: NAT



**ARCTIC
FOAM**

7'8" E



Blank: 78E (Egg)

Originating Date: July, 2006

Bottom Length: 7'8 3/4" (235.5cm)

Center Width: 24 3/8" (61.9cm)

Center Thickness: 3 5/8" (9.2cm)

Blank Volume: 82 liters

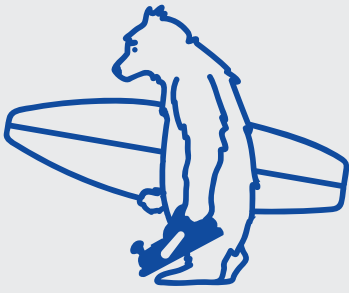
Blank Description: A classic egg design made with a domed deck and tapered rail. The 78E is slightly foiled out through the tail with a flat bottom. This blank is a great option for all mid length boards. Light weight, superior strength, great flex - Arctic quality. Foam Matters...Ride the Bear.



Available in Bio Foam

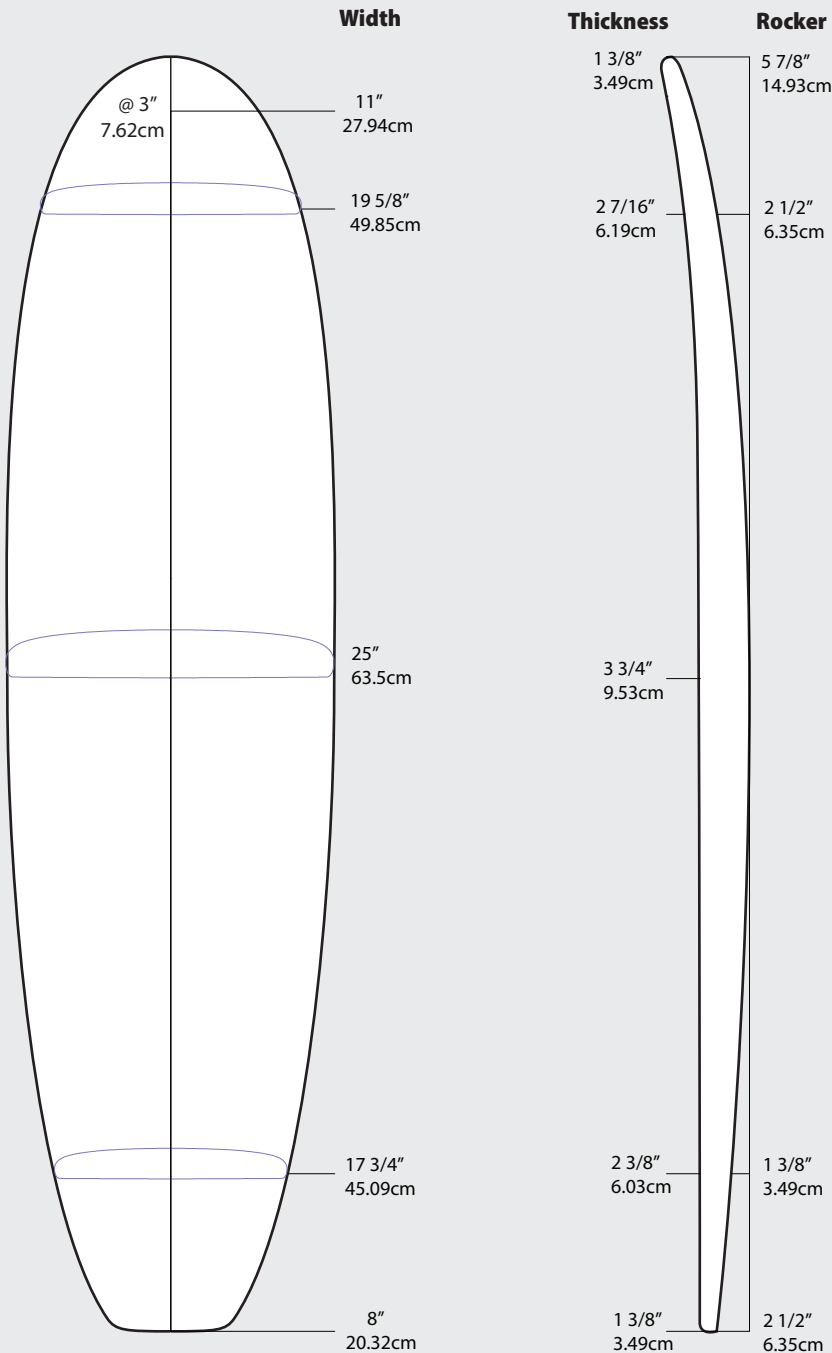
*Measurements are based on average production and may vary slightly

Perfered Stock Rocker: NAT



**ARCTIC
FOAM**

8'2" E



Blank: 82E (Egg)

Originating Date: July, 2006

Bottom Length: 8'1 7/8" (248.6cm)

Center Width: 25" (63.5cm)

Center Thickness: 3 3/4" (9.5cm)

Blank Volume: 92.82 liters

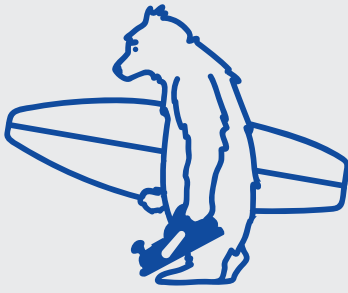
Blank Description: A classic egg design made with a domed deck and tapered rail. The 82E is slightly foiled out through the tail with a flat bottom. This blank is a great option for all mid length boards. Light weight, superior strength, great flex - Arctic quality. Foam Matters...Ride the Bear.



Available in Bio Foam

*Measurements are based on average production and may vary slightly

Perfered Stock Rocker: NAT



**ARCTIC
FOAM**

8'8" E

Blank: 88E (Egg)

Originating Date: July, 2006

Bottom Length: 8'7 7/8" (263.8cm)

Center Width: 25 1/2" (64.8cm)

Center Thickness: 3 13/16" (9.7cm)

Blank Volume: 104.58 liters

Blank Description: A classic egg design made with a domed deck and tapered rail. The 88E is slightly foiled out through the tail with a flat bottom. This blank is a great option for all mid length boards. Light weight, superior strength, great flex - Arctic quality. Foam Matters...Ride the Bear.



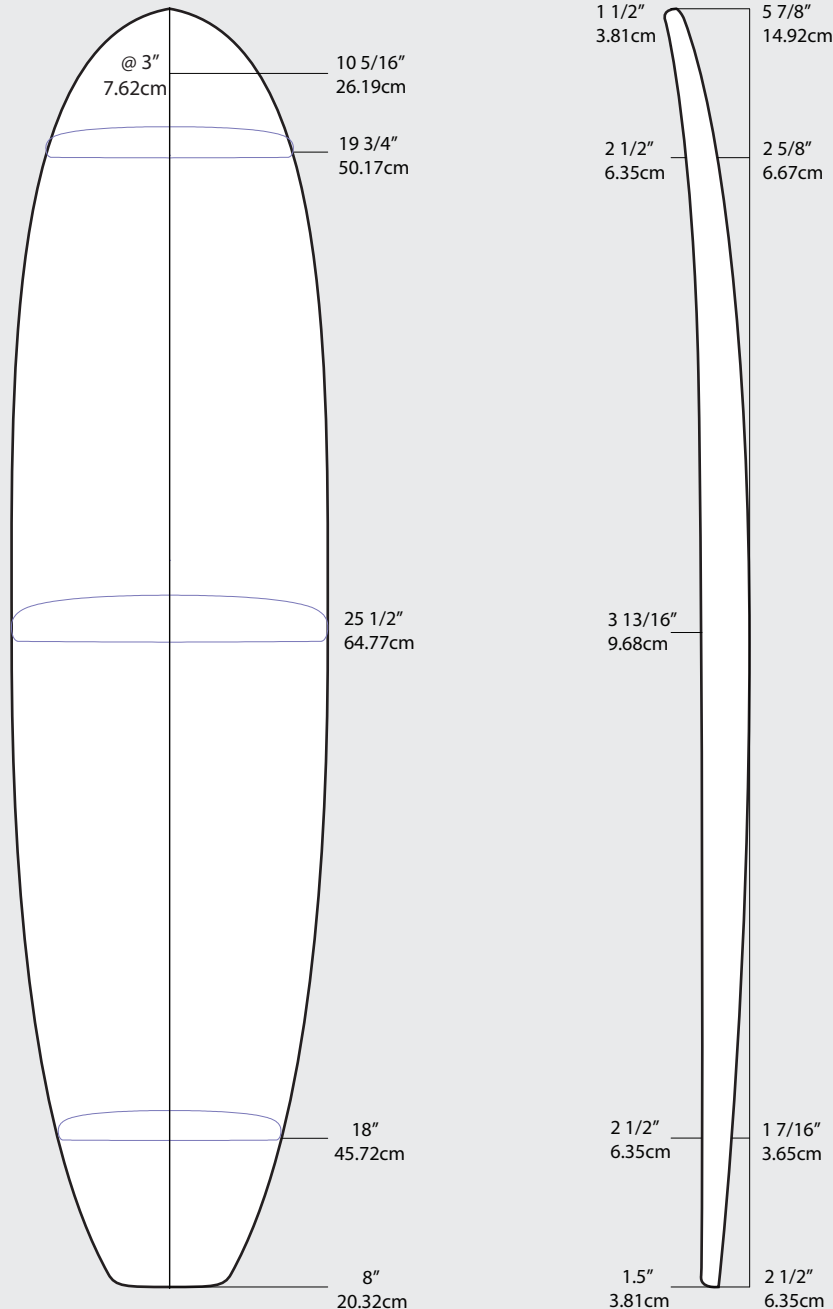
Available in Bio Foam

**Measurements are based on average production and may vary slightly*

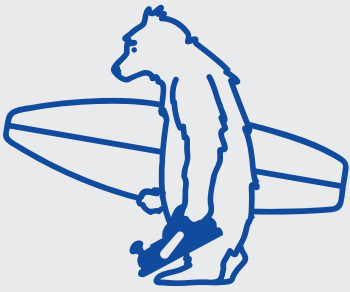
Width

Thickness

Rocker

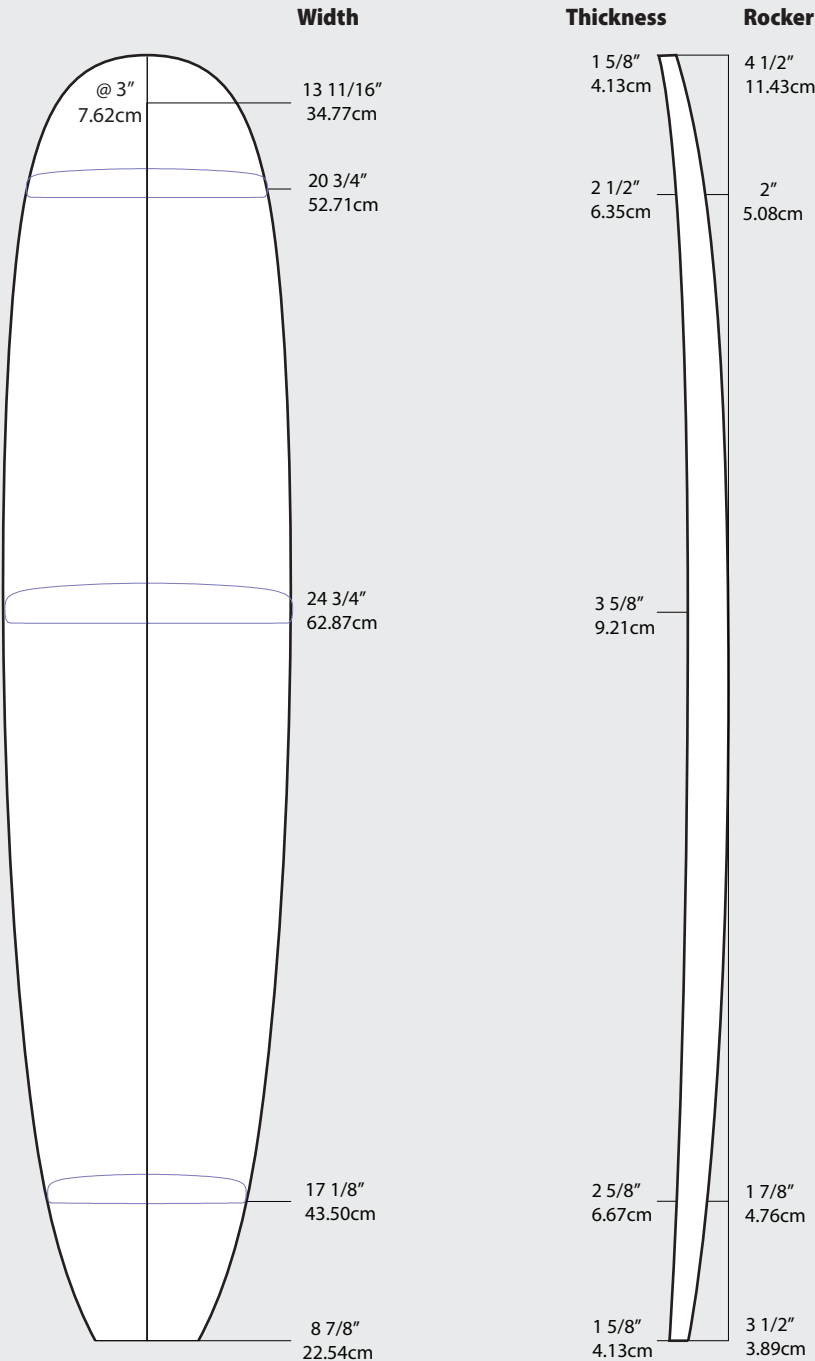


Perfered Stock Rocker: NAT



**ARCTIC
FOAM**

9'3" LB



Perferred Stock Rocker: NAT

Blank: 93LB (Longboard)

Originating Date: August, 2008

Bottom Length: 9'3 1/4" (282.6cm)

Center Width: 24 3/4" (62.9cm)

Center Thickness: 3 5/8" (9.2cm)

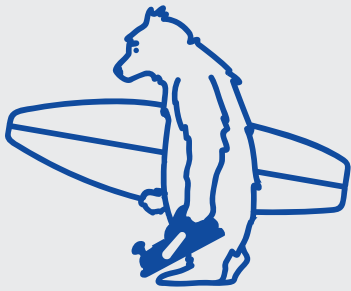
Blank Volume: 111.30 liters

Blank Description: The 93LB is a very versatile longboard blank ideal for classic and modern designs. The natural and noserider rockers work well for a wide array of designs for longboards, big fish and gliders. Light weight, superior strength, great flex - Arctic quality. Foam Matters...Ride the Bear.



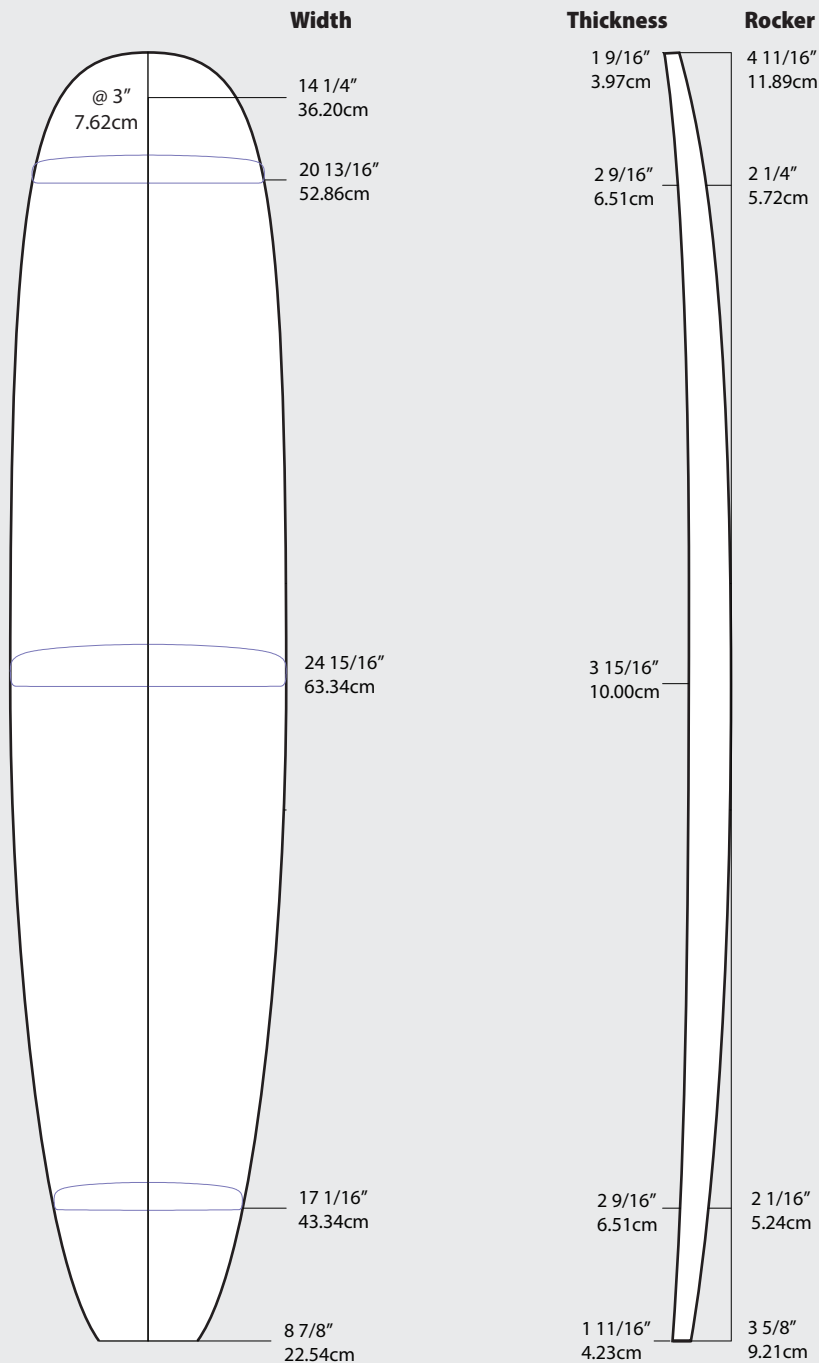
Available in Bio Foam

*Measurements are based on average production and may vary slightly



**ARCTIC
FOAM**

9'9" LB



Perfered Stock Rocker: NAT

Blank: 99LB(Longboard)

Originating Date: August, 2008

Bottom Length: 9'9 1/8" (297.5cm)

Center Width: 24 15/16" (63.3cm)

Center Thickness: 3 15/16" (10.0cm)

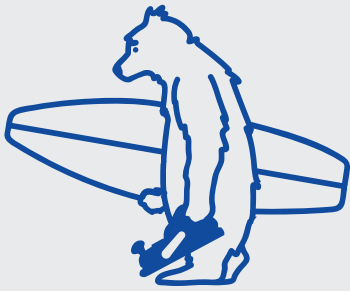
Blank Volume: 125.57 liters

Blank Description: The 99LB is a very versatile longboard blank ideal for classic and modern designs. The natural and noserider rockers work well for a wide array of designs for longboards, big fish and gliders. Light weight, superior strength, great flex - Arctic quality. Foam Matters...Ride the Bear.



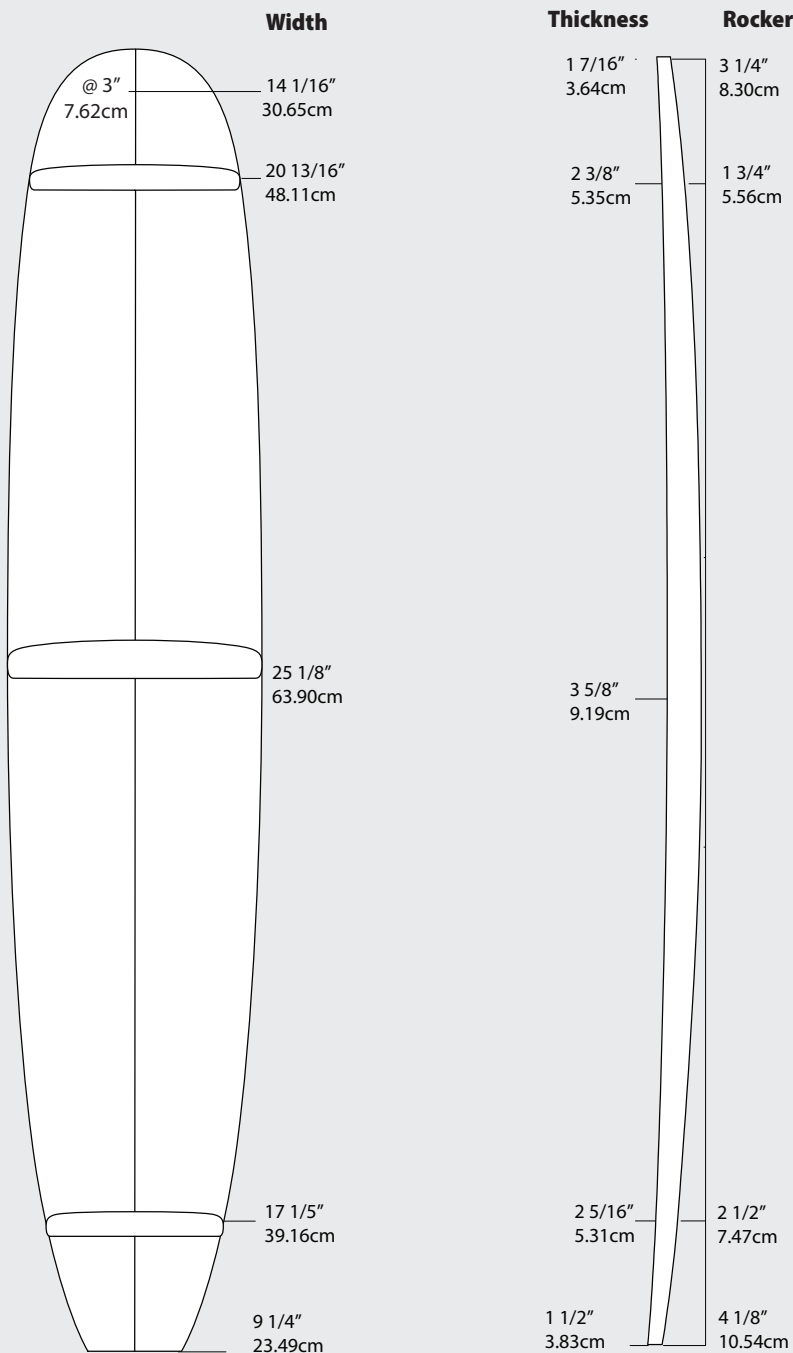
Available in Bio Foam

*Measurements are based on average production and may vary slightly



**ARCTIC
FOAM**

10'2" LB



Perfered Stock Rocker: NAT

Blank: 10'2" (Longboard)

Originating Date: June, 2022

Bottom Length: 10'2 1/2" (310.27cm)

Center Width: 25 5/32" (63.9cm)

Center Thickness: 3 5/8" (9.19cm)

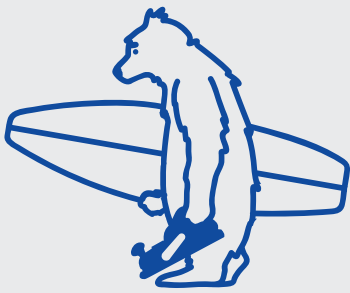
Blank Volume: 123.33 liters

Blank Description: The 10'2"LB is a very versatile hand shape and close tollerance CNC longboard blank. Ideal for classic and modern designs. The natural rocker was based off of our very popular noserider rocker. Available in most densities. Superior whitness, great strength, amazing flex - Arctic quality. Foam Matters...Ride the Bear.



Available in Bio Foam

*Measurements are based on average production and may vary slightly



**ARCTIC
FOAM**

10'3" LB

Blank: 103(Longboard)

Originating Date: August, 2008

Bottom Length: 10'4 3/8" (321.0cm)

Center Width: 25 3/8" (64.5cm)

Center Thickness: 4 1/8" (10.5cm)

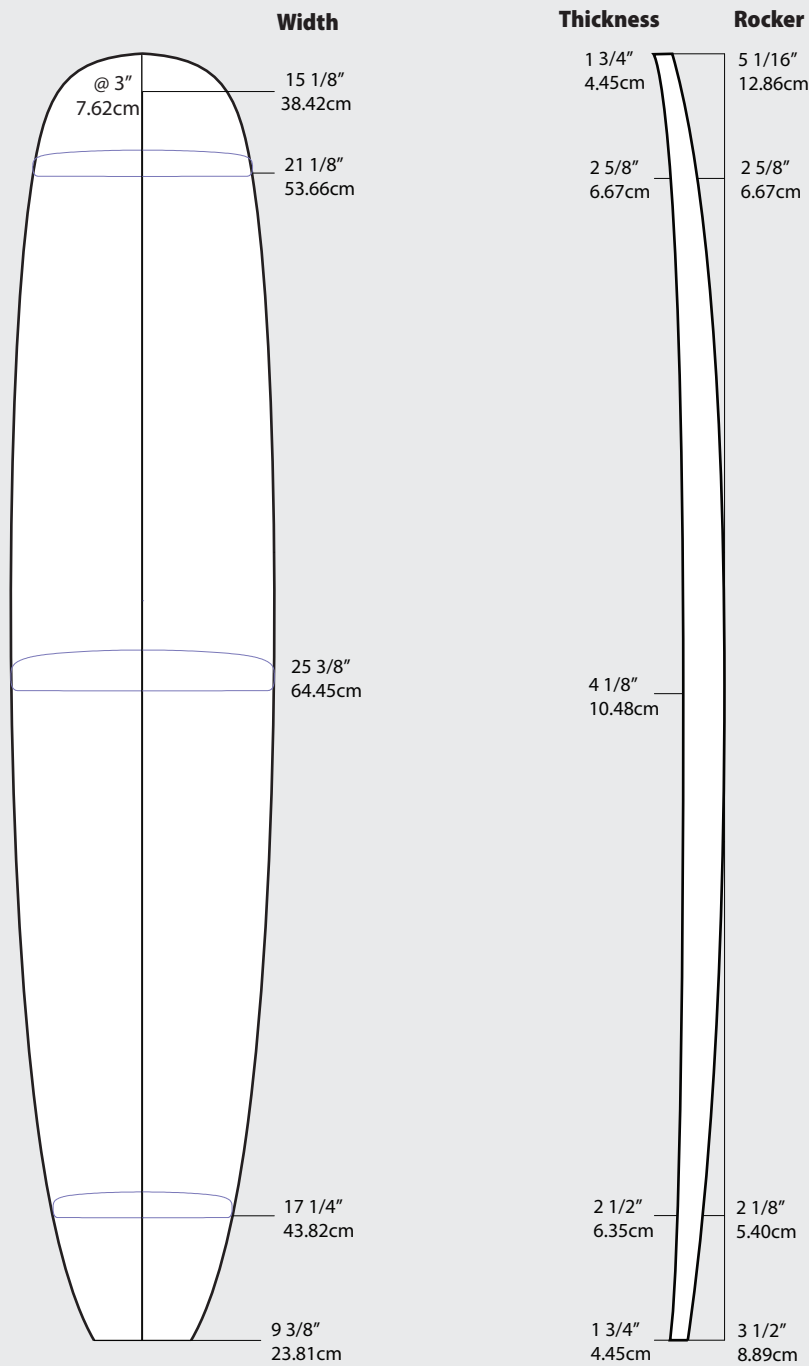
Blank Volume: 141.11 liters

Blank Description: The 103LB is a very versatile longboard blank ideal for classic and modern designs. The natural and noserider rockers work well for a wide array of designs for longboards, big fish and gliders. Light weight, superior strength, great flex - Arctic quality. Foam Matters...Ride the Bear.

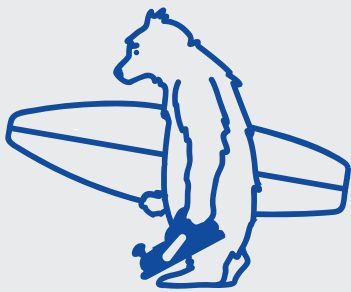


Available in Bio Foam

*Measurements are based on average production and may vary slightly

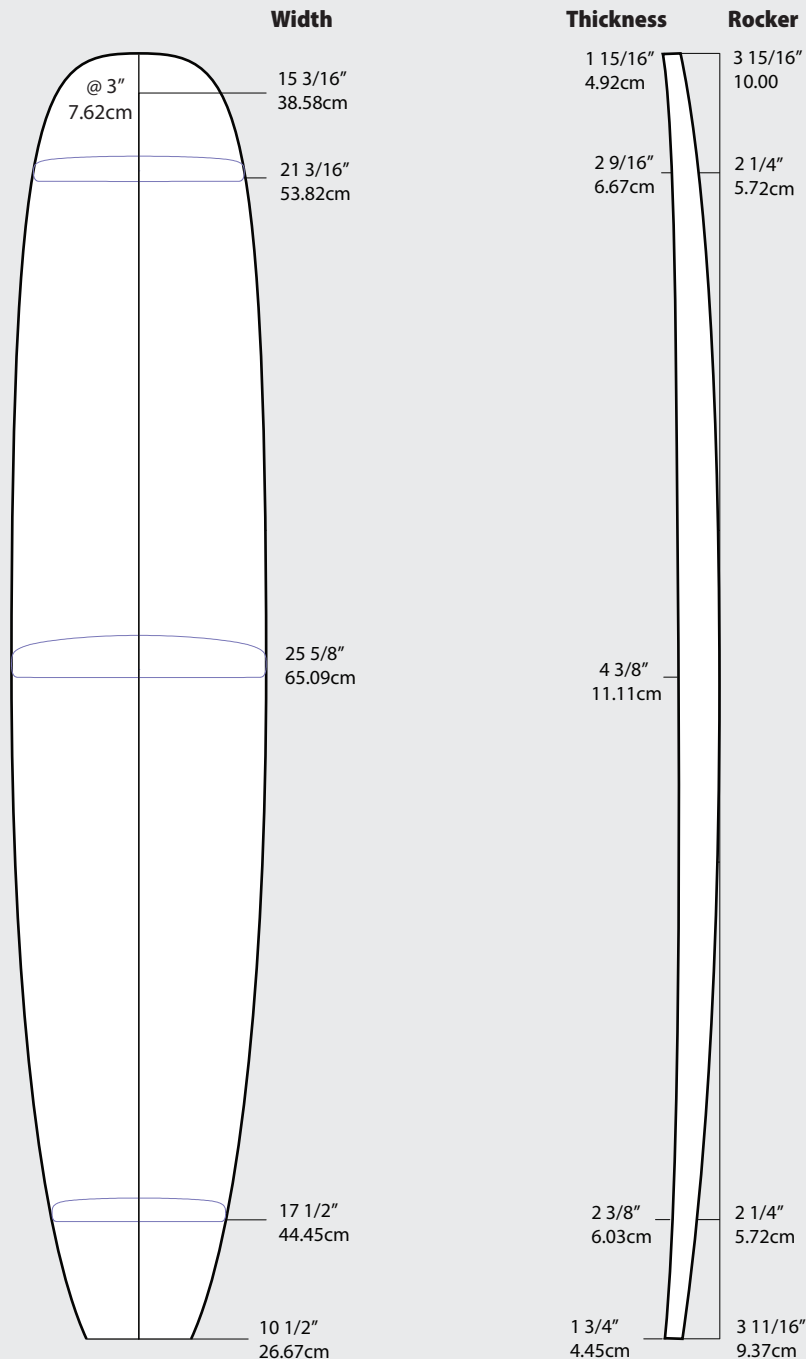


Perfered Stock Rocker: NAT



**ARCTIC
FOAM**

10'9" LB



Blank: 109(Longboard)

Originating Date: August, 2008

Bottom Length: 10'9 3/4" (329.6cm)

Center Width: 25 5/8" (65.1cm)

Center Thickness: 4 3/8" (11.11cm)

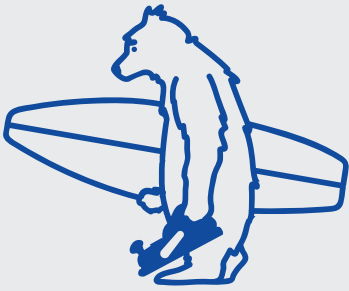
Blank Volume: 154.11 liters

Blank Description: The 109LB is a very versatile longboard blank ideal for classic and modern designs. The natural and noserider rockers work well for a wide array of designs for longboards, big fish and gliders. Light weight, superior strength, great flex - Arctic quality. Foam Matters...Ride the Bear.



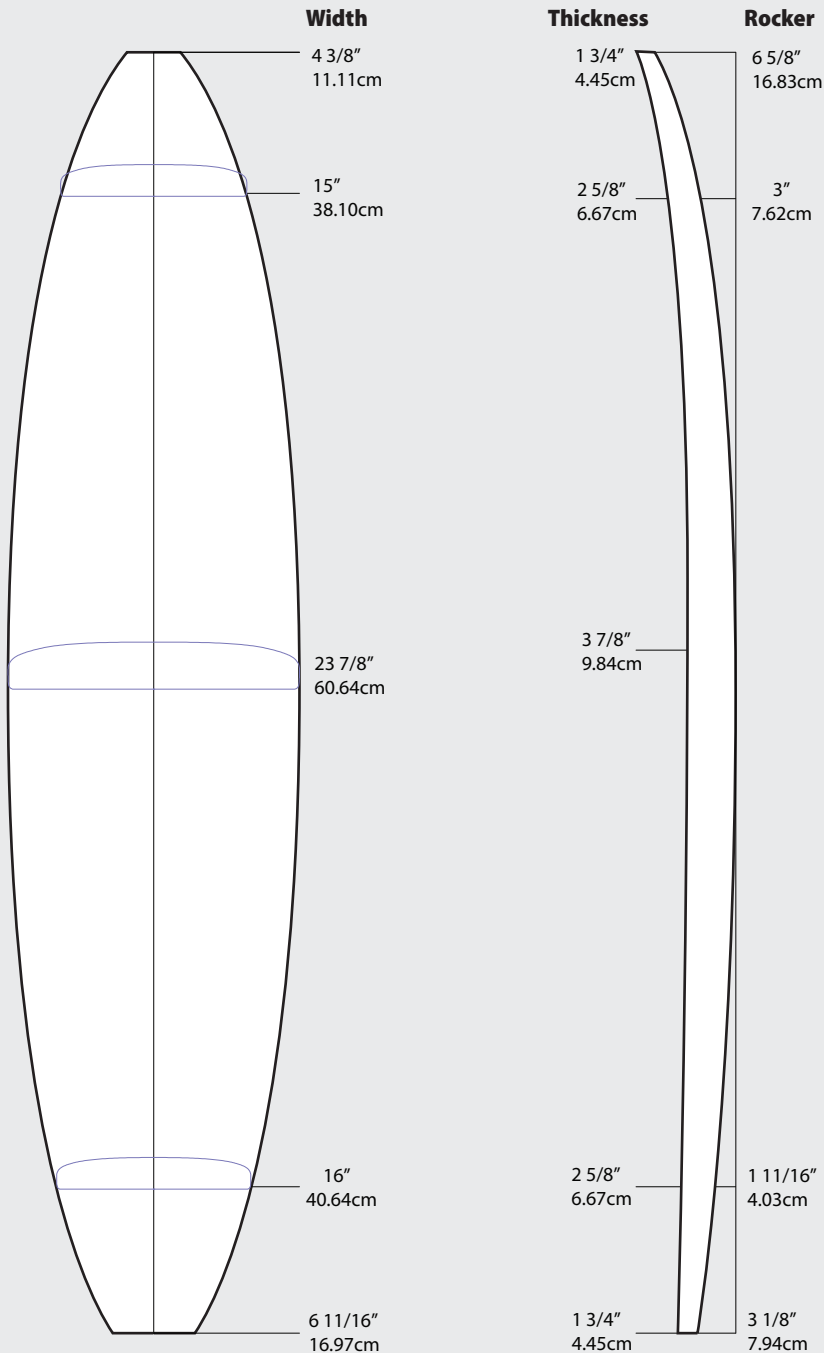
*Measurements are based on average production and may vary slightly

Perfered Stock Rocker: NAT



**ARCTIC
FOAM**

8'8" G



Perfered Stock Rocker: NAT

Blank: 88G (Gun)

Originating Date: September, 2011

Bottom Length: 8'9 7/8" (268.9cm)

Center Width: 23 7/8" (60.6cm)

Center Thickness: 3 7/8" (9.8cm)

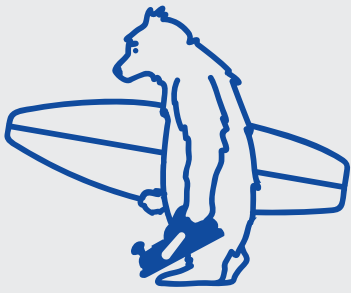
Blank Volume: 101.9 liters

Blank Description: A very versatile gun blank that works well for guns and big guy boards. Thickness is carried through the nose and tail to allow for various rockers. Light weight, superior strength, great flex - Arctic quality. Foam Matters...Ride the Bear.



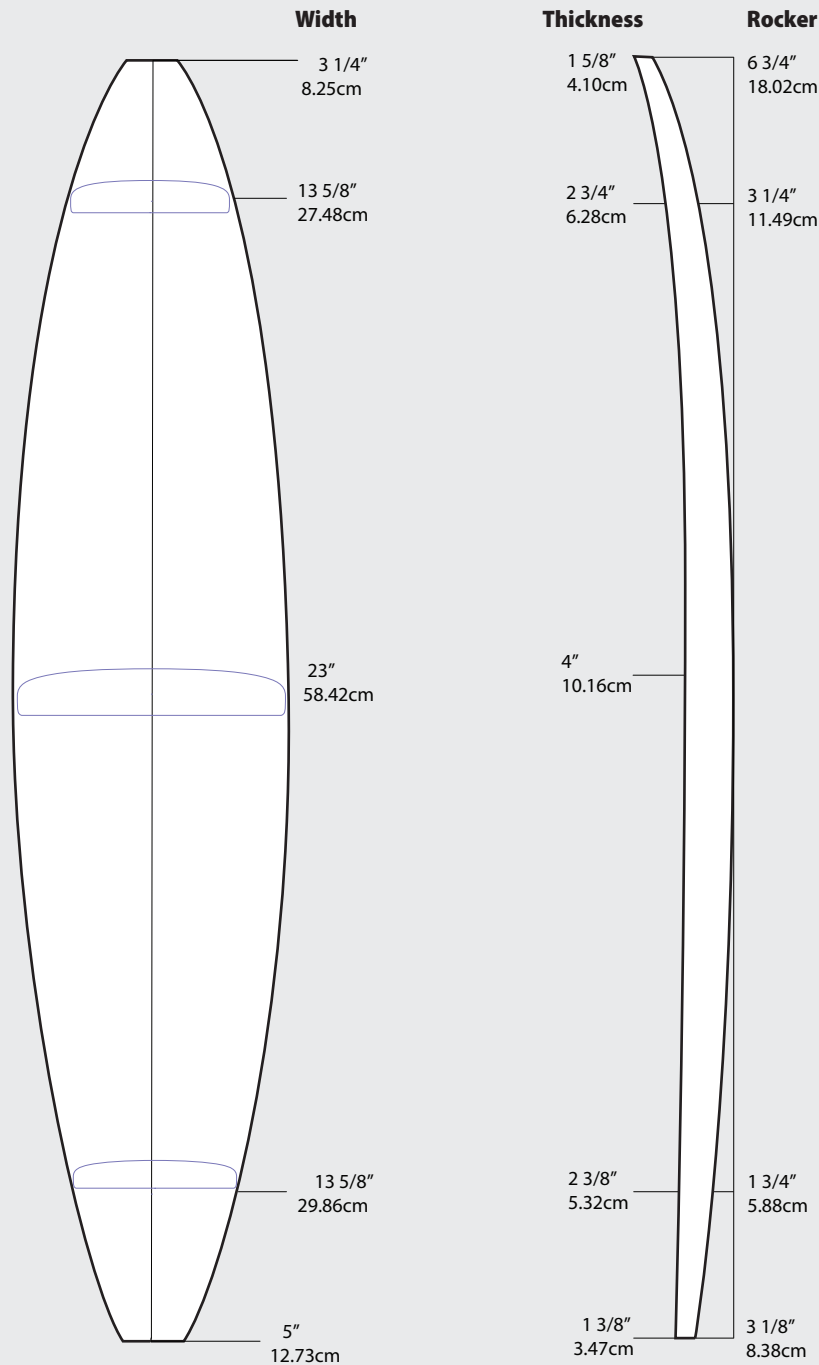
Available in Bio Foam

**Measurements are based on average production and may vary slightly*



**ARCTIC
FOAM**

9'4" G



Perfered Stock Rocker: NAT

Blank: 94G(Gun)

Originating Date: June, 2022

Bottom Length: 9'4 1/4" (284.5cm)

Center Width: 23.0" (57.8cm)

Center Thickness: 4.0" (9.5cm)

Blank Volume: 102.91 liters

Blank Description: With the help of Jon Pyzel, we have updated our gun series to accommodate the changes in big wave board building. This blank can be used for a wide variety of gun designs. The 94G has fuller rails with thickness carried through the nose and tail making it a very versatile blank.

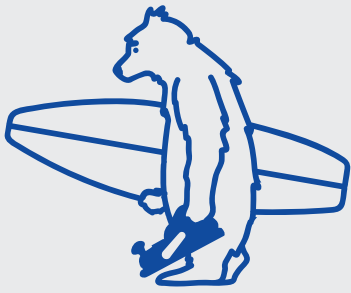
Bright white, superior strength and great flex - Arctic Foam quality.

Foam Matters...Ride the Bear.



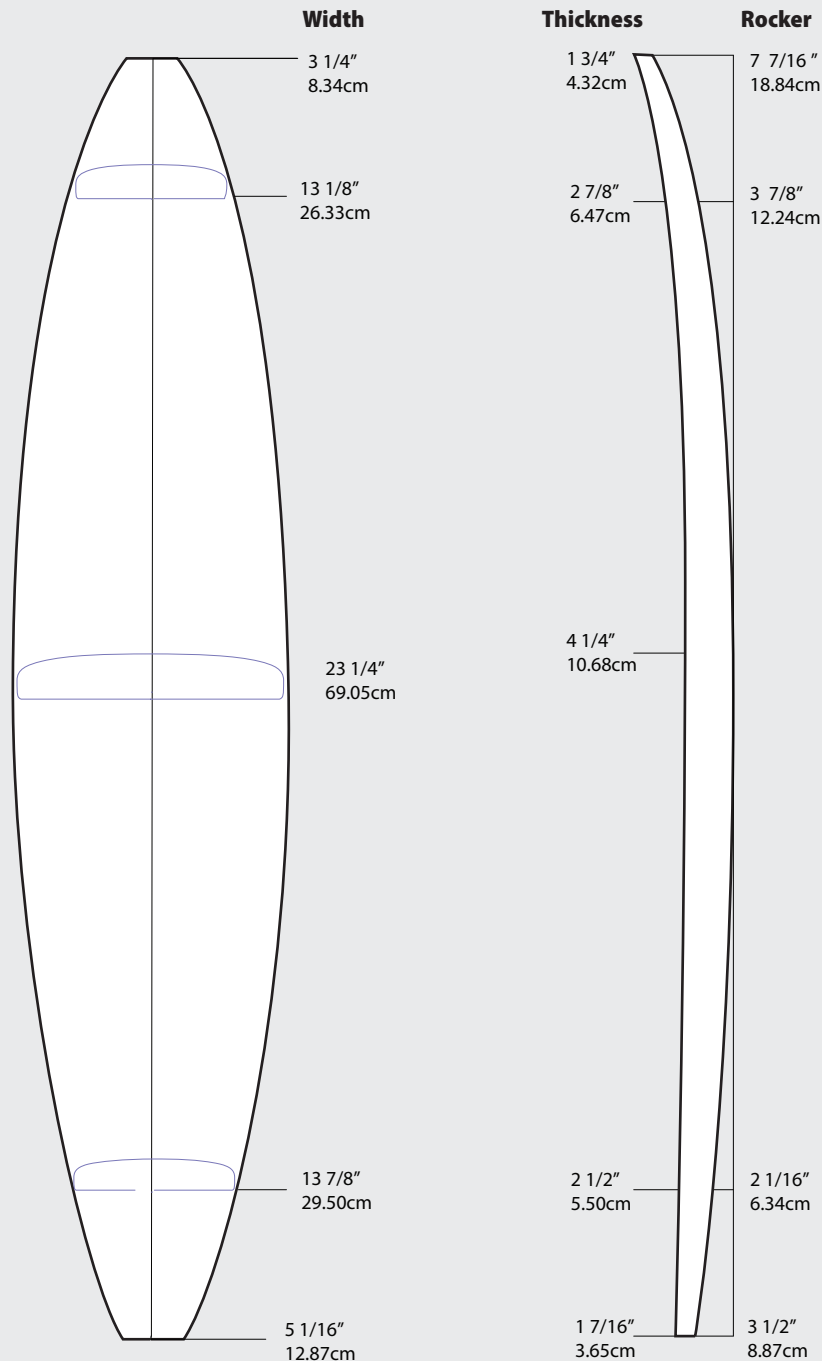
Available in Bio Foam

*Measurements are based on average production and may vary slightly



**ARCTIC
FOAM**

9'9" G



Perfered Stock Rocker: NAT

Blank: 99G(Gun)

Originating Date: June, 2022

Bottom Length: 9'9 1/2" (299cm)

Center Width: 23 1/4" (59.05cm)

Center Thickness: 4 1/4" (10.67cm)

Blank Volume: 114.04 liters

Blank Description: With the help of Jon Pyzel, we have updated our gun series to accommodate the changes in big wave board building. This blank can be used for a wide variety of gun designs. The 99G has fuller rails with thickness carried through the nose and tail making it a very versatile blank.

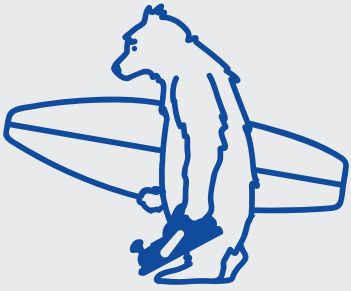
Bright white, superior strength and great flex - Arctic Foam quality.

Foam Matters...Ride the Bear.



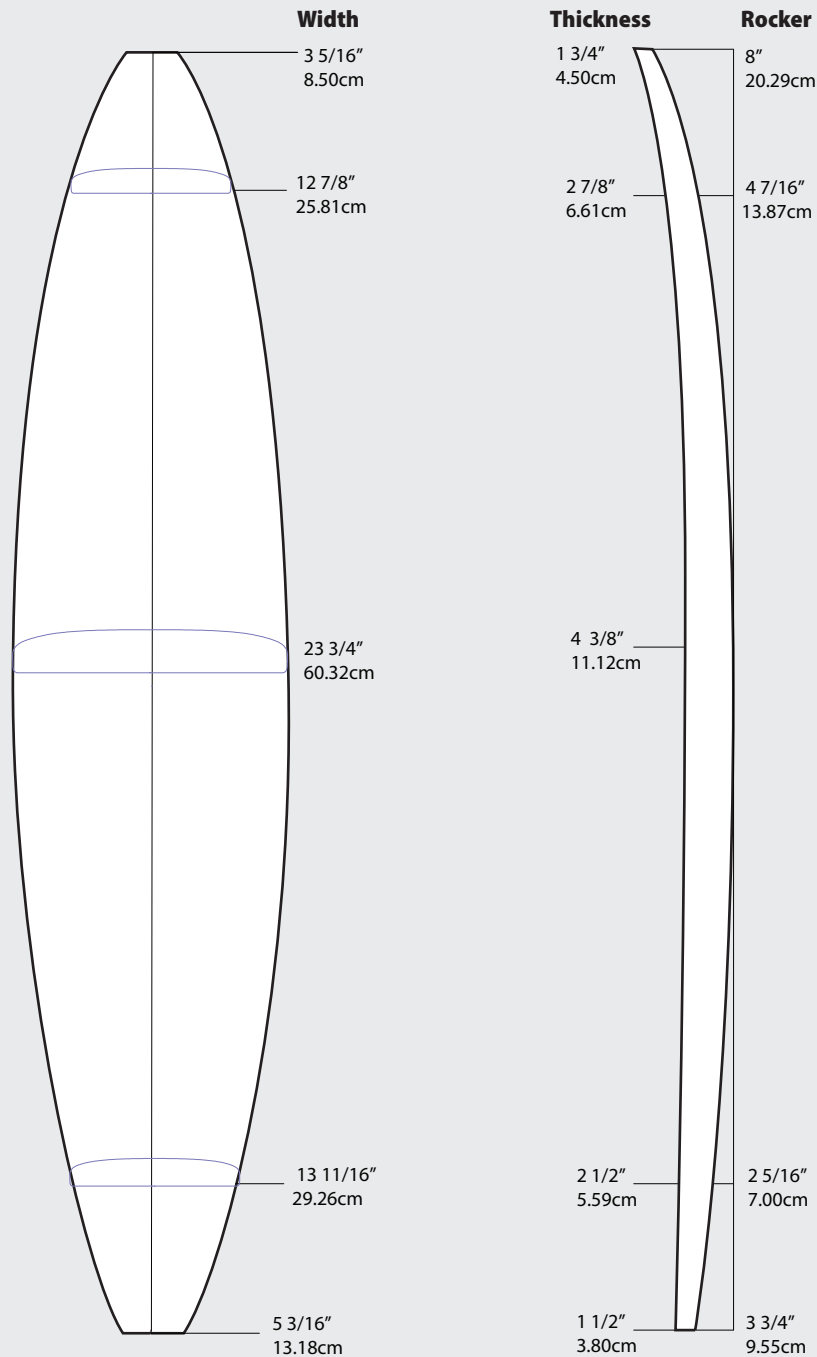
Available in Bio Foam

*Measurements are based on average production and may vary slightly



**ARCTIC
FOAM**

10'6" G



Perfered Stock Rocker: NAT

Blank: 106G(Gun)

Originating Date: June, 2022

Bottom Length: 10'6 5/8" (321.7cm)

Center Width: 23 3/4" (60.3cm)

Center Thickness: 4 3/8" (11.1cm)

Blank Volume: 130.91 liters

Blank Description: With the help of Jon Pyzel, we have updated our gun series to accommodate the changes in big wave board building. This blank can be used for a wide variety of gun designs. The 10'6G has fuller rails with thickness carried through the nose and tail making it a very versatile blank.

Bright white, superior strength and great flex - Arctic Foam quality.

Foam Matters...Ride the Bear.



Available in Bio Foam

*Measurements are based on average production and may vary slightly