



M U S H L U M E  
L I G H T I N G C O L L E C T I O N

BIOFABRICATED FROM MYCELIUM



SCIENCE  
MEETS  
DESIGN

Fields are colliding, merging, and collaborating;  
and from these intersections new disciplines are  
being formed.

Our work is an exploration across emergent  
bio-fields—with formal training in biomimicry,  
professional experience in biodesign and  
commercialization in biofabrication.

We work with scientists and biomaterial specialists  
to push the boundaries in biotech research with the  
goal of bringing to market design solutions that have  
a positive impact on both people and planet.



GROWN, NOT MANUFACTURED

# MYCELIUM

The vegetative part of a fungus, or better known as the roots of mushrooms!

This incredible organism is truly one of nature's greatest wonders. Responsible for distributing water and nutrients to all plants in a forest, mycelium is not only a circulator of vital resources in an ecosystem, but a connector of information and communication.

Compare the image of the world wide web to that of a mycorrhizal network and they're nearly identical in form!







HEMP SUBSTRATE



LIVING MYCELIUM



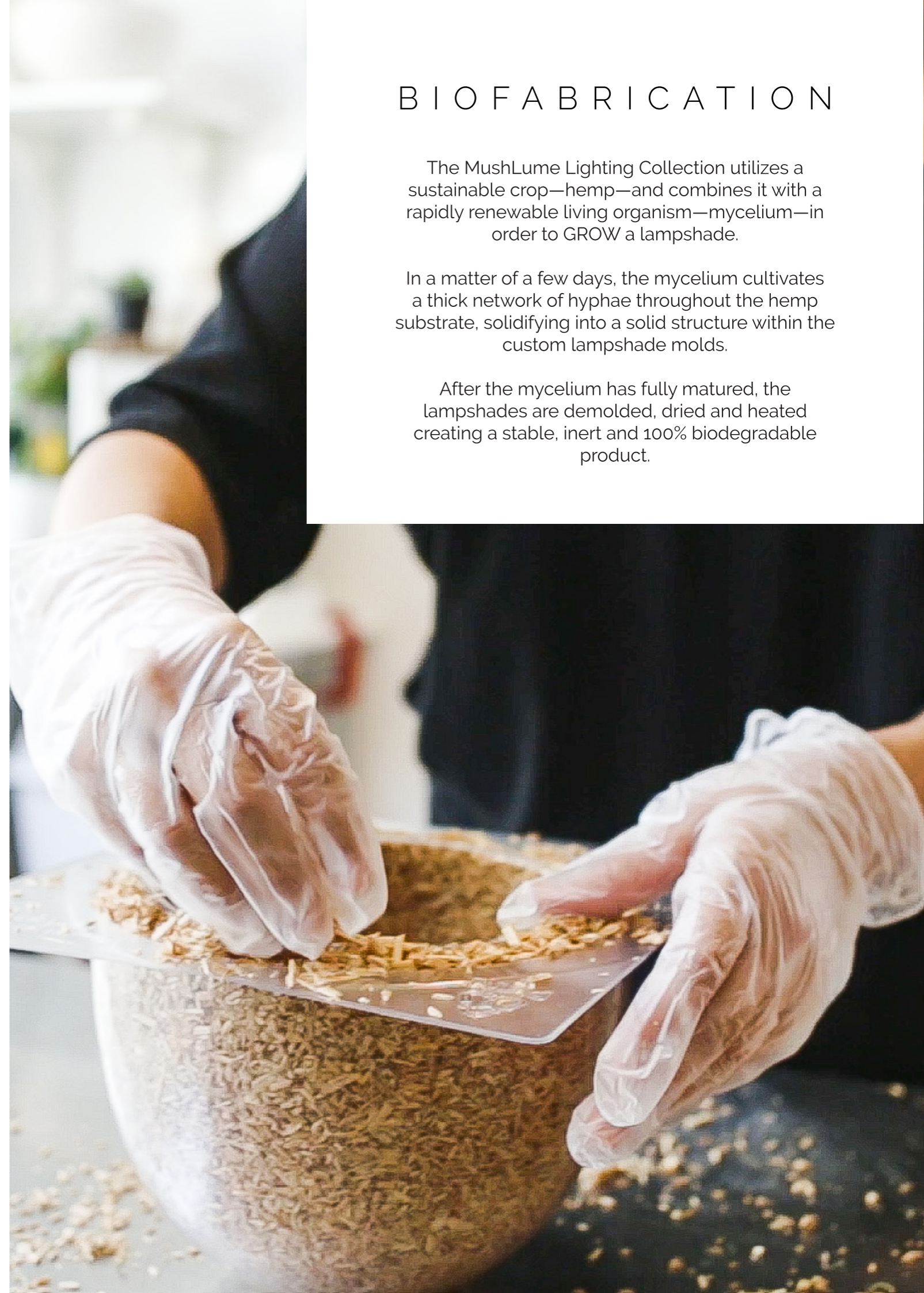
BIOFABRICATED  
LAMP SHADE

## BIOFABRICATION

The MushLume Lighting Collection utilizes a sustainable crop—hemp—and combines it with a rapidly renewable living organism—mycelium—in order to GROW a lampshade.

In a matter of a few days, the mycelium cultivates a thick network of hyphae throughout the hemp substrate, solidifying into a solid structure within the custom lampshade molds.

After the mycelium has fully matured, the lampshades are demolded, dried and heated creating a stable, inert and 100% biodegradable product.





LOCALLY &  
SUSTAINABLY  
SOURCED

RAPIDLY  
RENEWABLE

BIOFABRICATED

CRADLE TO CRADLE  
GOLD CERTIFIED

BIODEGRADABLE

NO TOXIC OR  
HAZARDOUS  
MATERIALS USED

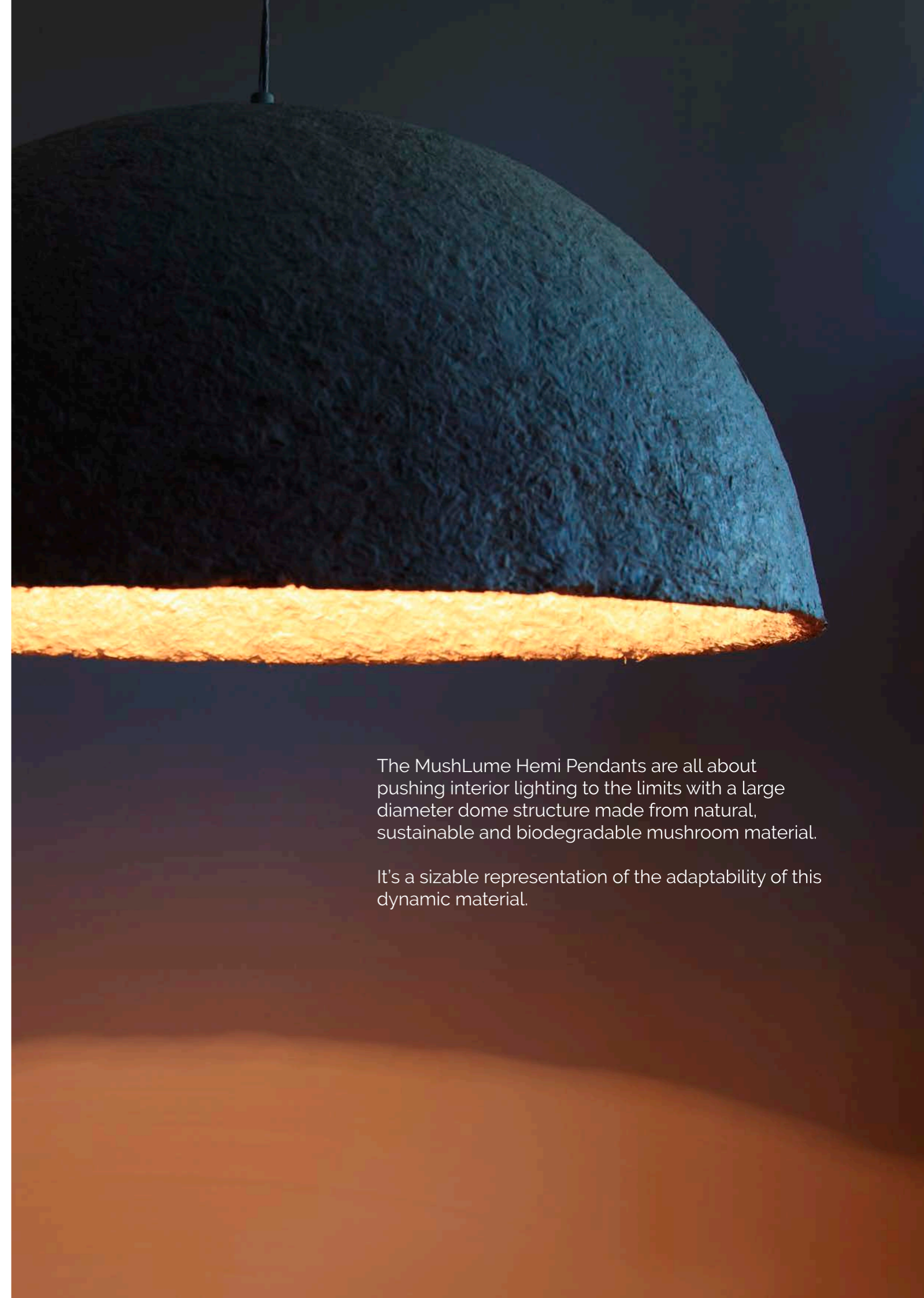
DESIGNED FOR PEOPLE & PLANET







HEMI PENDANTS



The MushLume Hemi Pendants are all about pushing interior lighting to the limits with a large diameter dome structure made from natural, sustainable and biodegradable mushroom material.

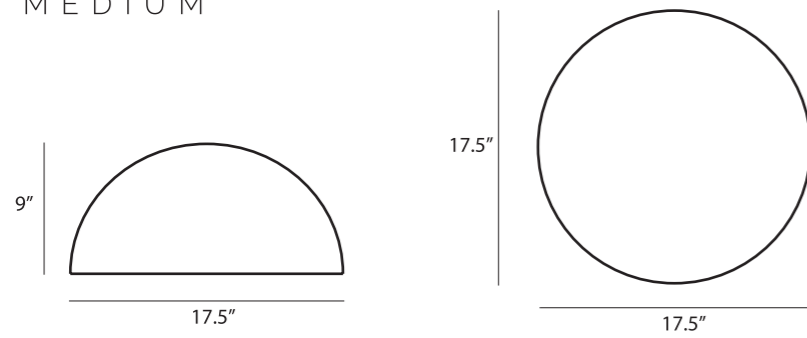
It's a sizable representation of the adaptability of this dynamic material.

TECHNICAL INFO

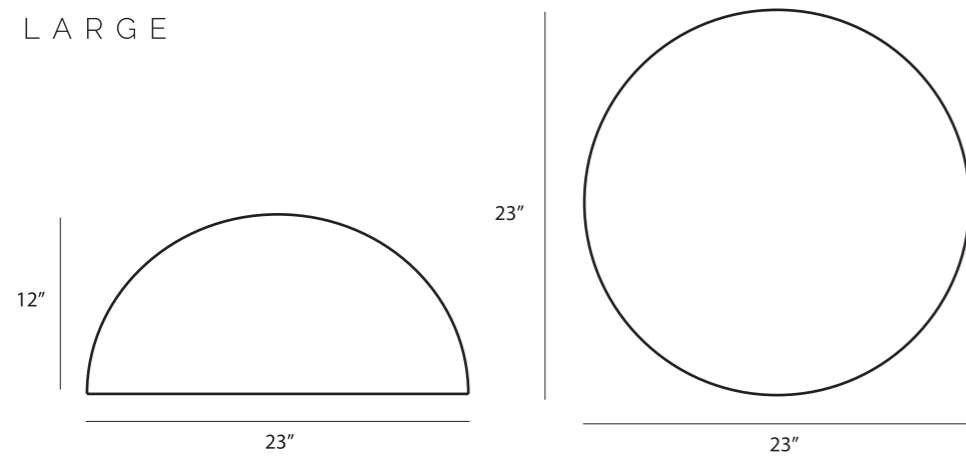
Pre-wired ceiling mounted (hardware included)  
Compatible with all medium base LED bulbs  
E26 socket  
Recommended for use with LED bulb only  
Max equivalent to 60 watts, 40 watts for medium shade  
120V 60Hz  
6 feet of cord included (custom lengths available)  
Available in ceiling flush mount  
Lampshade is installed and removed by shade ring  
Shade ring inner dia: 1-9/16" outer dia: 2-3/16"



MEDIUM



LARGE







TRUMPET PENDANT





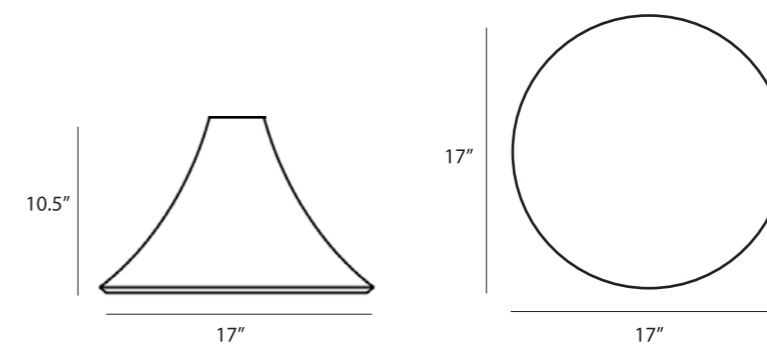
Shaped after the curves of a trumpet, this hanging lamp establishes a dramatic interior effect. Create a dynamic cloud cluster by pairing with the MushLume Hemi and Cup Light Pendants for an eye-catching array.

#### TECHNICAL INFO

Pre-wired ceiling mounted (hardware included)  
Compatible with all medium base LED bulbs  
E26 socket  
Recommended for use with LED bulb only  
Max equivalent to 40 watts  
120V 60Hz  
6 feet of cord included (custom lengths available)  
Available in ceiling flush mount  
Lampshade is installed and removed by shade ring  
Shade ring inner dia: 1-9/16" outer dia: 2-3/16"



#### DIMENSIONS





CUP LIGHT PENDENT







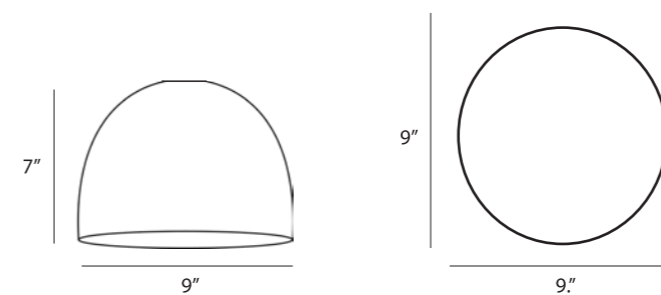
The MushLume Cup Light is our smallest pendant in the series and comes fitted with either white, black or brass hardware. These pendants look stunning in a series and are also found in the 3-Shade Linear Chandelier.

#### TECHNICAL INFO

Pre-wired ceiling mounted (hardware included)  
Compatible with all medium base LED bulbs  
E26 socket  
Recommended for use with LED bulb only  
Max equivalent to 40 watts  
120V 60Hz  
6 feet of cord included (custom lengths available)  
Available in ceiling flush mount  
Lampshade is installed and removed by shade ring  
Shade ring inner dia: 1-9/16" outer dia: 2-3/16"



#### DIMENSIONS





CUP LIGHT TABLE LAMP





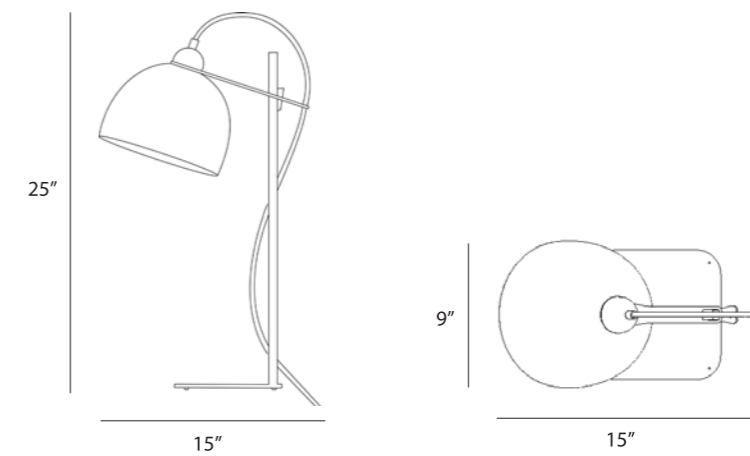
The Cup Light Table Lamp features a steel base, custom brass hardware and American hard wood accents. Designed for tool-free assembly and ease of disassembly for reuse and recycling. All components made and assembled in America.

#### TECHNICAL INFO

Pre-wired portable fixture  
Compatible with all medium base LED bulbs  
E26 socket  
Recommended for use with LED bulb only  
Max equivalent to 40 watts  
120V 60Hz  
Lampshade is installed and removed by shade ring  
Shade ring inner dia: 1-9/16" outer dia: 2-3/16"



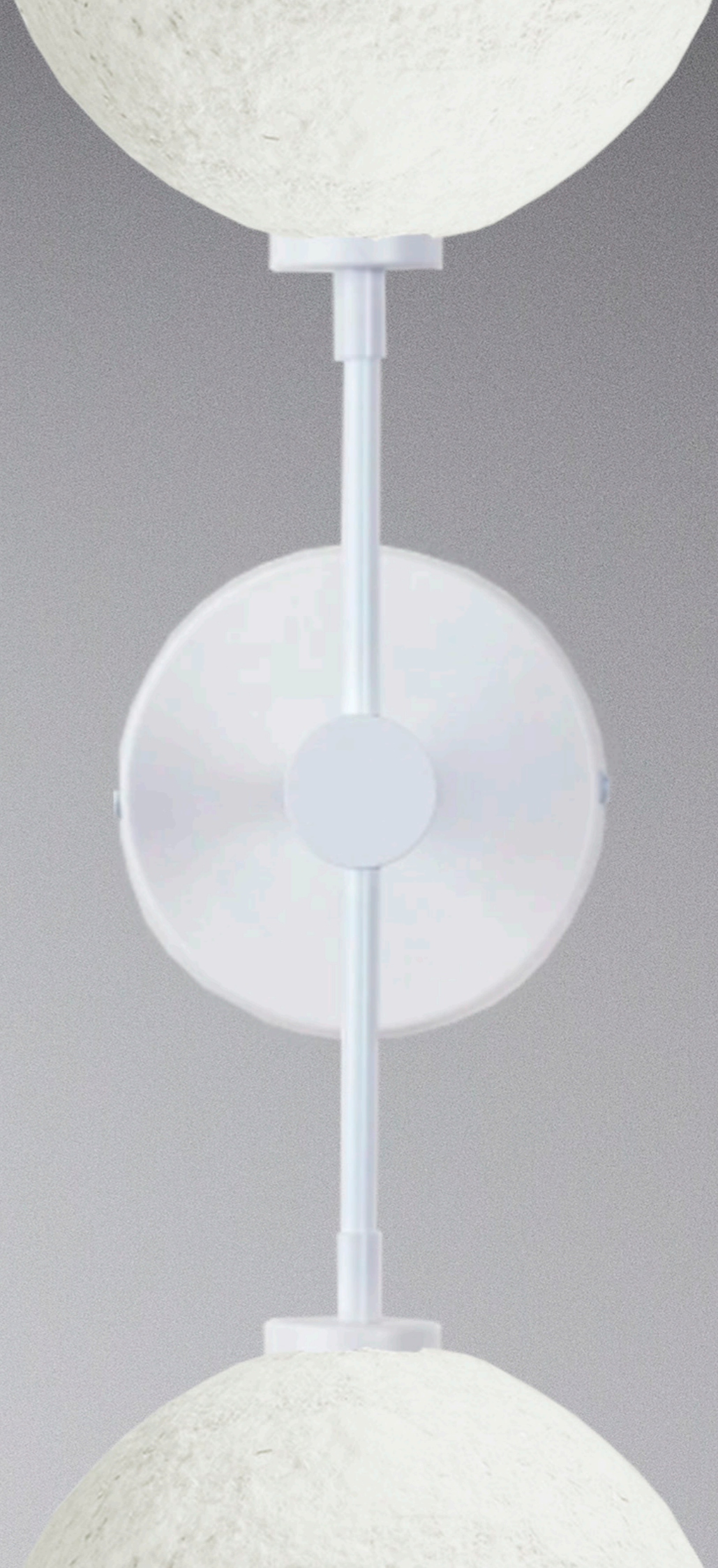
#### DIMENSIONS



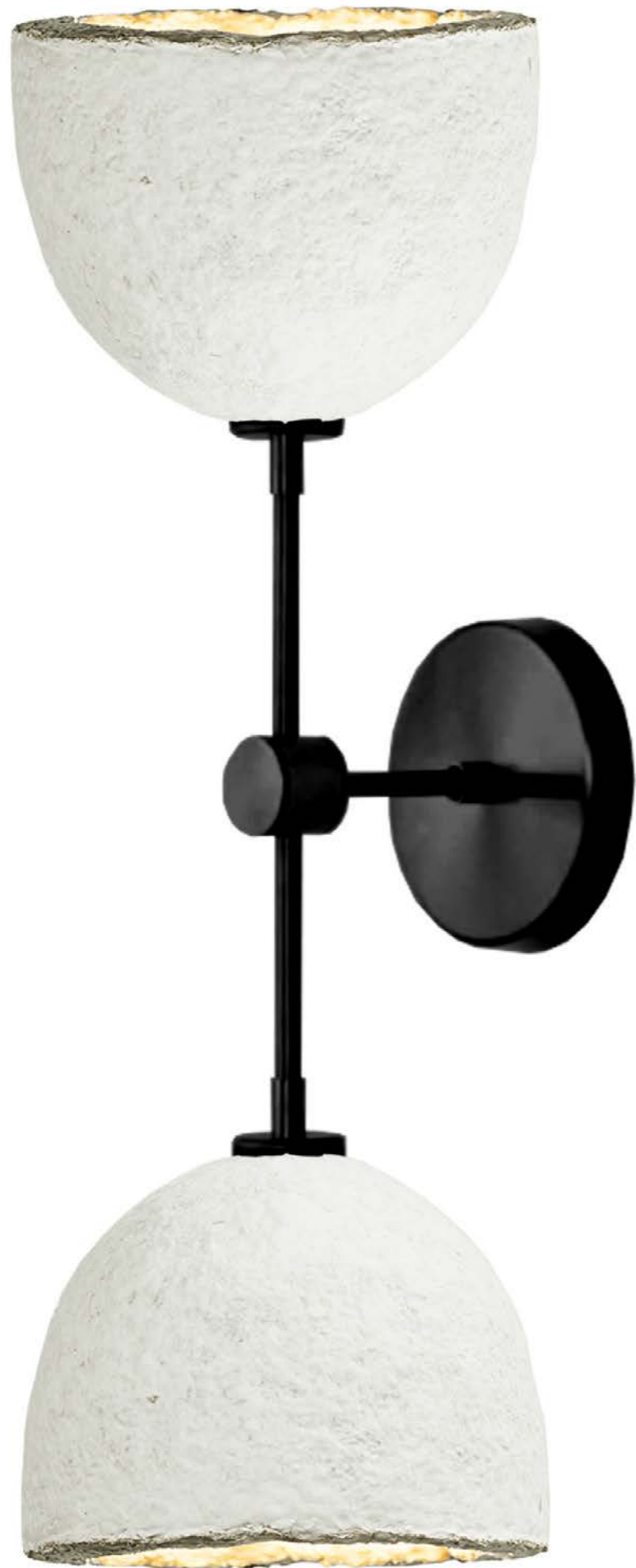


SINGLE & DOUBLE SCONCES









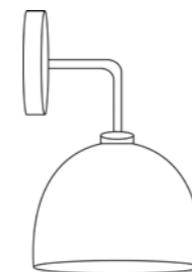
One of our newest editions to the MushLume Lighting Collection, the Single and Double Sconces come in both wall wired and plug-in options, as well as a variety of sizes to suit your project's needs.

#### TECHNICAL INFO

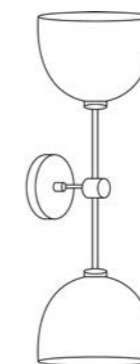
Pre-wired wall mounted (hardware included)  
 Compatible with all medium base LED bulbs  
 E26 socket  
 Recommended for use with LED bulb only  
 Max equivalent to 40 watts  
 120V 60Hz  
 Available in wall hardwired or plug-in  
 Lampshade is installed and removed by shade ring  
 Shade ring inner dia: 1-9/16" outer dia: 2-3/16"



#### DIMENSIONS



Small	11 H x 7.25 W x 8 D"
Medium	12 H x 7.25 W x 9 D"
Large	13 H x 7.25 W x 10 D"



Small	20 H x 7.25 W x 8 D"
Medium	24 H x 7.25 W x 8 D"
Large	28 H x 7.25 W x 8 D"
XLarge	30 H x 7.25 W x 8 D"



CLUSTER CHANDELIER



The MushLume Chandeliers bring elegance and intrigue to any space and prove to be our most adaptable fixtures with three style options: the Cluster, Linear and Stagger series. Each can be customized by color of cord and hardware, drop down length, number of shades and the size of shade used. Please contact us to explore your unique needs.



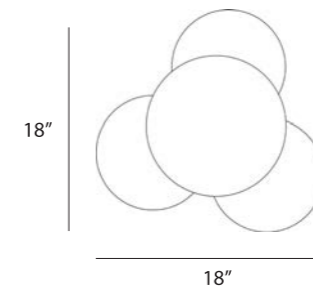
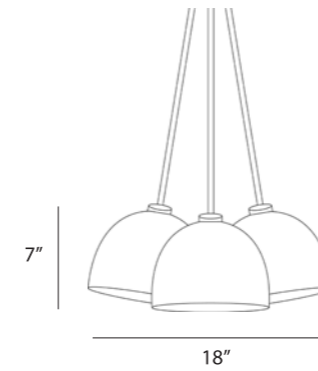
## TECHNICAL INFO

Pre-wired ceiling mounted (hardware included)  
Compatible with all medium base LED bulbs  
E26 socket  
Recommended for use with LED bulb only  
Max equivalent to 40 watts  
120V 60Hz  
4 feet of cord included (custom lengths available)  
Lampshade is installed and removed by shade ring  
Shade ring inner dia: 1-9/16" outer dia: 2-3/16"

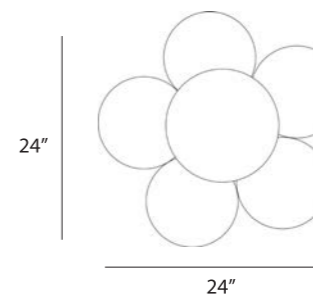
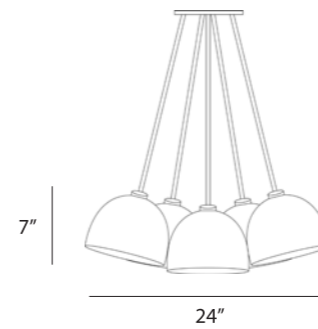


## DIMENSIONS

3 - Shade

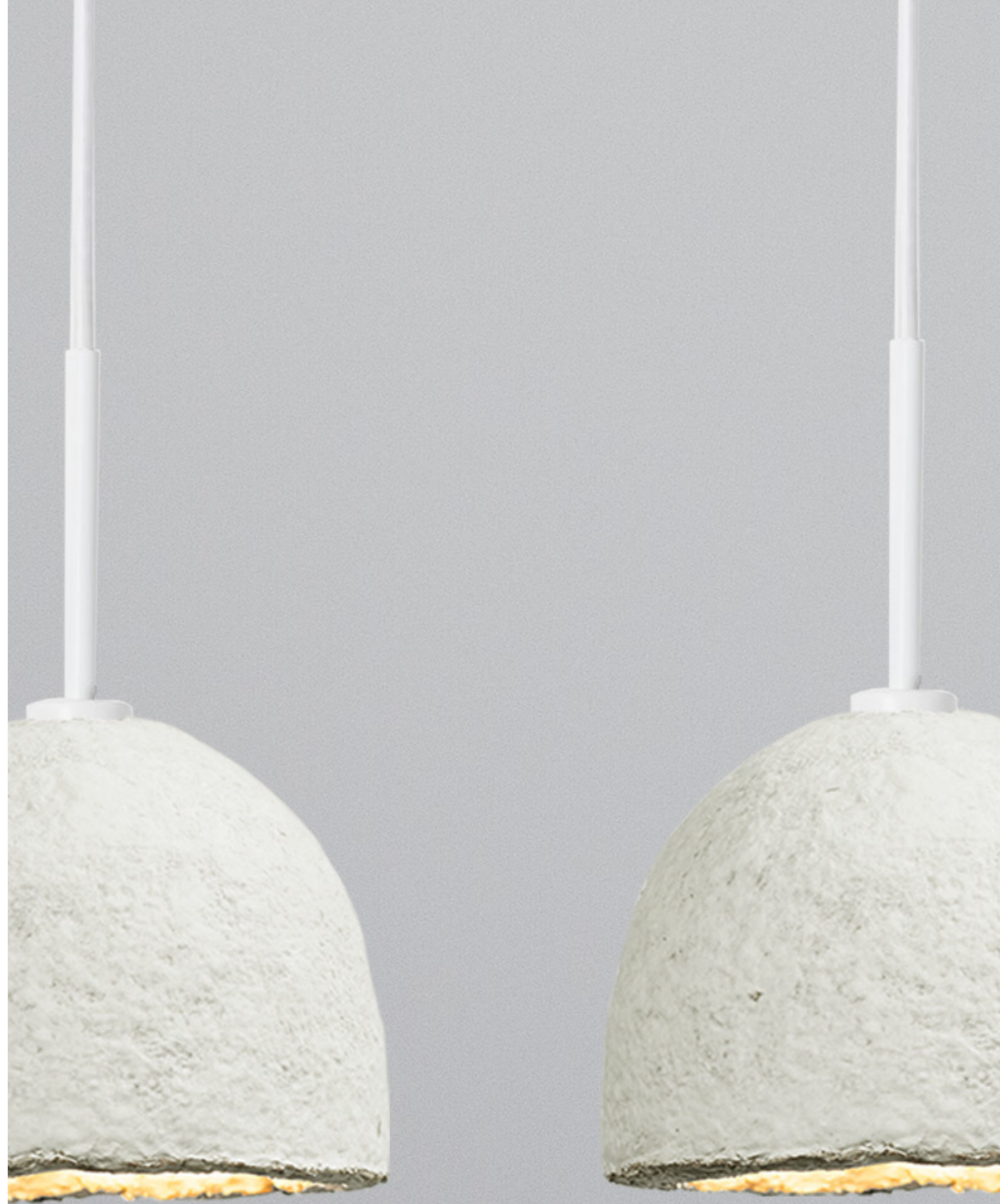


5 - Shade





LINEAR CHANDELIER





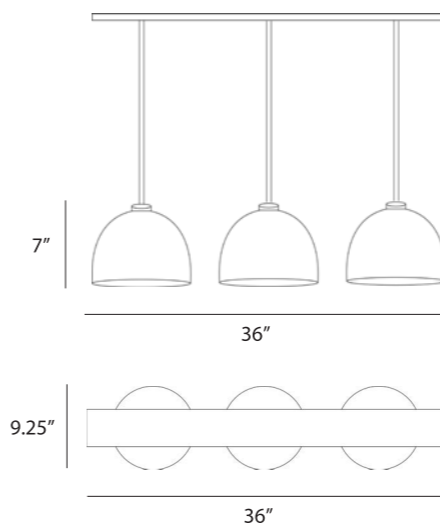
## TECHNICAL INFO

Pre-wired ceiling mounted (hardware included)  
 Compatible with all medium base LED bulbs  
 E26 socket  
 Recommended for use with LED bulb only  
 Max equivalent to 40 watts  
 120V 60Hz  
 4 feet of cord included (custom lengths available)  
 Lampshade is installed and removed by shade ring  
 Shade ring inner dia: 1-9/16" outer dia: 2-3/16"

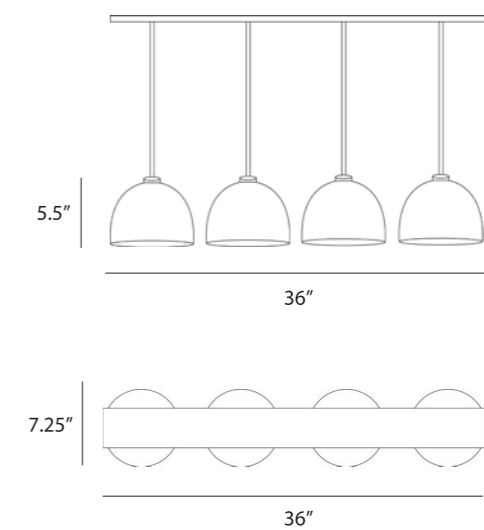


## DIMENSIONS

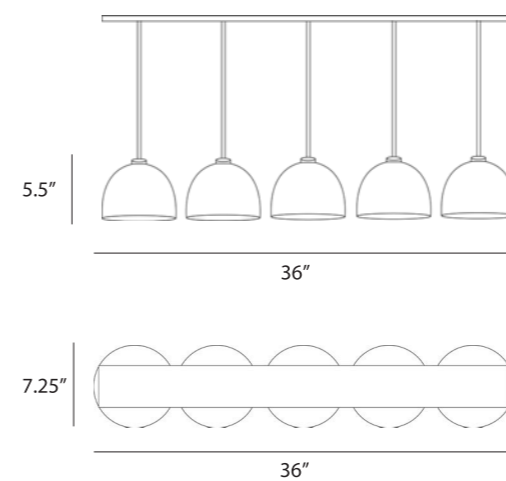
3 - Shade



4 - Shade



5 - Shade





STAGGER CHANDELIER







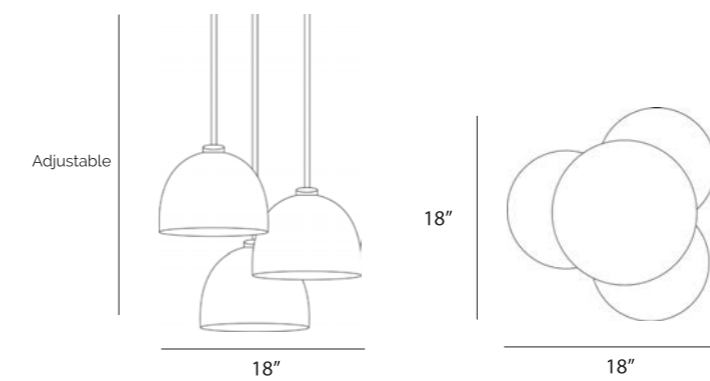
## TECHNICAL INFO

Pre-wired ceiling mounted (hardware included)  
Compatible with all medium base LED bulbs  
E26 socket  
Recommended for use with LED bulb only  
Max equivalent to 40 watts  
120V 60Hz  
4-6 feet of cord included (custom lengths available)  
Lampshade is installed and removed by shade ring  
Shade ring inner dia: 1-9/16" outer dia: 2-3/16"

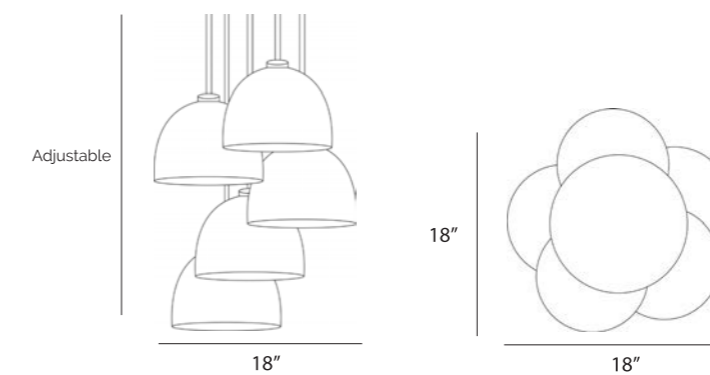


## DIMENSIONS

### 3 - Shade



### 5 - Shade





GROW TABLE LAMP

The Grow Table Lamp is our most accessible and sustainably produced lamp, with a tool-free assembly table stand that's handmade from felled or dying trees within a 100 mile radius in Upstate NY.

Available in walnut or ash.











A W A R D S

**DESIGN  
MUSEUM**  
DESIGNS OF THE YEAR  
2015

CORE77  
DESIGN  
AWARDS  
2015 NOTABLE



IC  
FF INTERIOR  
DESIGN  
**NYC**  
**X DESIGN**  
AWARDS



PROJECTS



1 HOTEL BROOKLYN BRIDGE

DUMBO, BROOKLYN

2017







BLUE PARK KITCHEN

FINANCIAL DISTRICT, NEW YORK CITY

2018



<b>BALANCED CHICKEN + FENNEL SAUCE</b> 12.75 Grilled Chicken, Fennel, Lemon, Olive Oil, Roasted Potatoes, Toasted Chickpeas, Herb	<b>TURKEY MEATBALLS + MUSTARD TOMATO SAUCE</b> 12.75 Turkey Meatballs, Mustard, Tomato Sauce, Roasted Potatoes, Toasted Chickpeas, Herb	<b>STEAK + MASHED POTATOES + GARLIC SAUCE</b> 15.75 Grilled Steak, Mashed Potatoes, Garlic Sauce, Roasted Potatoes, Toasted Chickpeas, Herb	<b>BUILD YOUR OWN - 12.25 + PROTEIN</b> Chicken, Beef, Turkey, Pork, Fish, Tofu, Veggie Sauce + Toppings Vegetables
<b>SALMON + CHARRED BROCCOLI</b> 13.75 Pan-Seared Salmon, Charred Broccoli, Lemon, Olive Oil, Roasted Potatoes, Toasted Chickpeas, Herb	<b>LENTIL CAKE + MIXED VEGETABLES</b> 12.75 Grilled Lentil Cake, Mixed Vegetables, Lemon, Olive Oil, Roasted Potatoes, Toasted Chickpeas, Herb	<b>BALANCED CHICKEN + MOROCCAN CARROT</b> 12.75 Grilled Chicken, Moroccan Carrot, Lemon, Olive Oil, Roasted Potatoes, Toasted Chickpeas, Herb	<b>PROTEIN OPTIONS</b> Soft Boiled Egg 1.75 Baked Tofu 2.00 Turkey Meatball 2.25 Roasted Chicken 2.50 Baked Salmon 4.50
<b>SOFT BOILED EGG + TOASTED CHICKEN</b> 10.75 Soft Boiled Egg, Toasted Chicken, Lemon, Olive Oil, Roasted Potatoes, Toasted Chickpeas, Herb	<b>STEAK + COCONUT BULGUR</b> 13.50 Grilled Steak, Coconut Bulgur, Lemon, Olive Oil, Roasted Potatoes, Toasted Chickpeas, Herb	<b>ONLINE ORDERING + CATERING COMING SOON!</b> www.blueparkkitchen.com	



BLUE PARK  
KITCHEN



LALOU WINE BAR

PROSPECT HEIGHTS, BROOKLYN

2019





MEDINAH

ST. SIMONS, GEORGIA

2018









GRASS HOUSE

WASHINGTON, D.C.

2019





EXPLORATIONS



MUSHLUME TABLE LAMP

SPIKE PENDANT



CASCADE CHANDY





CUSTOMIZATION





ABOUT THE DESIGNER

# DANIELLE TROFE

BIODESIGNER + BIOMIMICRY SPECIALIST

Danielle Trofe founded her studio in 2011 with the goal to harness innovative technologies and material sciences in order to create functional and accessible design. Danielle strives to encourage a departure from conventional materials and production techniques in search of long-term, sustainable solutions.

Located in Brooklyn, New York, Danielle Trofe Design, LLC has nearly a decade of biodesign and biofabrication experience, materializing award-winning product design and providing biomimetic consulting services.







DANIELLE TROFE

EST. 2011 | BROOKLYN, NY

[DANIELLETROFE.COM](http://DANIELLETROFE.COM)