

## CP SERIES

### 100W Canopy/Soffit Light

**Part #:**

**DL -CP-100W-111X-1601**

Note: The Letter X in P/N stands for

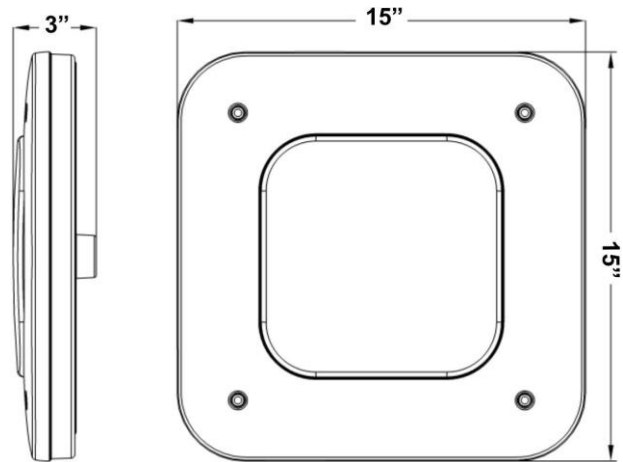
- 1: Direct Mount
- 2: Pendant Mount

#### Performance:

- UL cUL
- DLC
- IP65
- 110+ Lumens per watt
- 10000 - 11000 Lumens
- AC 100V -277V
- 5 Year Warranty
- Energy savings

#### Application:

- Gas Canopy Retrofit
- Car Wash
- Bank Soffit



### Product Specifications

Product name	LED Canopy/Soffit Light
Part No	DL -CP-100W-1111-1601 orDL -CP-100W-1112-1601
Light Type	Outdoor Light
Dimension	15" X 15" X 3"

### Technical Characteristic

Color temperature	4000K	5000K	5700K
CRI	>70		
Lumen	10000-11000LM		
Input Power	100W		
Viewing Angle	110 Degree		
Input Voltage	AC100-277V	50/60Hz	
Driver model	CEN-100-48( Mean Well Driver )		
PFC	>0.9		
Waterproof Rating	IP65		

### Materials

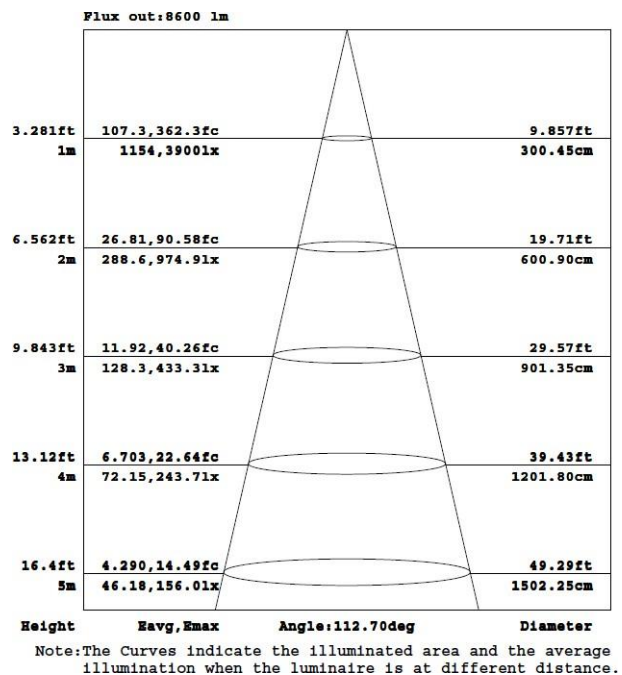
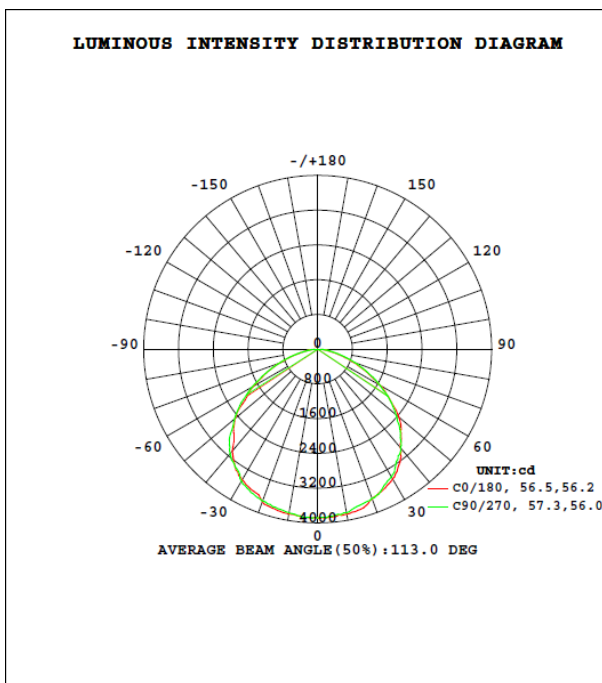
LED Brand	PHILIPS
LED Type	3030, 1.5W
LED QTY	126 PCS
Housing	Aluminum
Housing color	White

### Others

Operating Temperature	-20°C TO 45°C
Operating Humidity	20%-90% RH
Storage Temperature	-30°C TO 80°C
Storage Humidity	10%-95%
Application	Outdoor
Safety Certification	UL、cUL
Warranty Time	5 Years

### Light Distribution Testing Parameters

DATA OF LAMP		PHOTOMETRIC DATA				Eff: 111.38 lm/W
MODEL	CEN-100W-4000K	I <sub>max</sub> (cd)	3897	S/MH (C0/180)		1.33
NOMINAL POWER (W)	100	LOR (%)	100.0	S/MH (C90/270)		1.32
RATED VOLTAGE (V)	120	TOTAL FLUX (lm)	11194	η UP, DN (C0-180)		0.1, 49.2
NOMINAL FLUX (lm)	11194.1	CIE CLASS	DIRECT	η UP, DN (C180-360)		0.1, 50.6
LAMPS INSIDE	1	η up (%)	0.2	CIBSE SHR NOM		1.50
TEST VOLTAGE (V)	120.0	η down (%)	99.8	CIBSE SHR MAX		1.50



#### Notice

- ◆ Please turn off power before installation, replacement or repair of the fixture.
- ◆ Disconnect and remove the existing fixture.
- ◆ Open the back cover and connect three AC power color coded wires.
- ◆ Mount the new fixture and tighten mounting screws, test for any movement.
- ◆ There's no user serviceable parts, tempering voids warranty.
- ◆ Installation requires licensed professional and may require electrical permit.