

CP SERIES 130W Canopy/Soffit Light

Part #:

DL -CP-130W-311X-1601

Note: The Letter X in P/N stands for

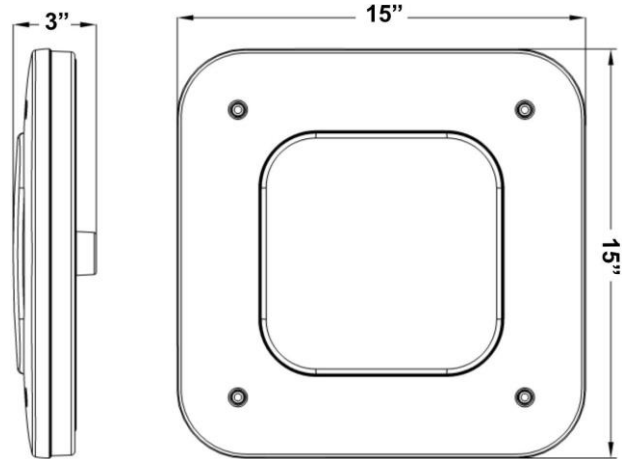
- 1: Direct Mount
- 2: Pendant Mount

Performance:

- UL cUL
- DLC
- IP65
- 115+ Lumens per watt
- 15000 - 15500 Lumens
- AC 100V -277V
- 5 Year Warranty
- Energy savings

Application:

- Gas Canopy Retrofit
- Car Wash
- Bank Soffit



Product Specifications

Product name	LED Canopy/Soffit Light
Part No	DL -CP-130W-1111-1601
Light Type	Outdoor Light
Dimension	15" X 15" X 3"

Technical Characteristic

Color temperature	4000K	5000K	5700K
CRI	>70		
Lumen	15000-15500LM		
Input Power	130W		
Viewing Angle	110 Degree		
Input Voltage	AC100-277V	50/60Hz	
Driver model	CEN-100-48(Mean Well Driver)		
PFC	>0.9		
Waterproof Rating	IP65		

Materials

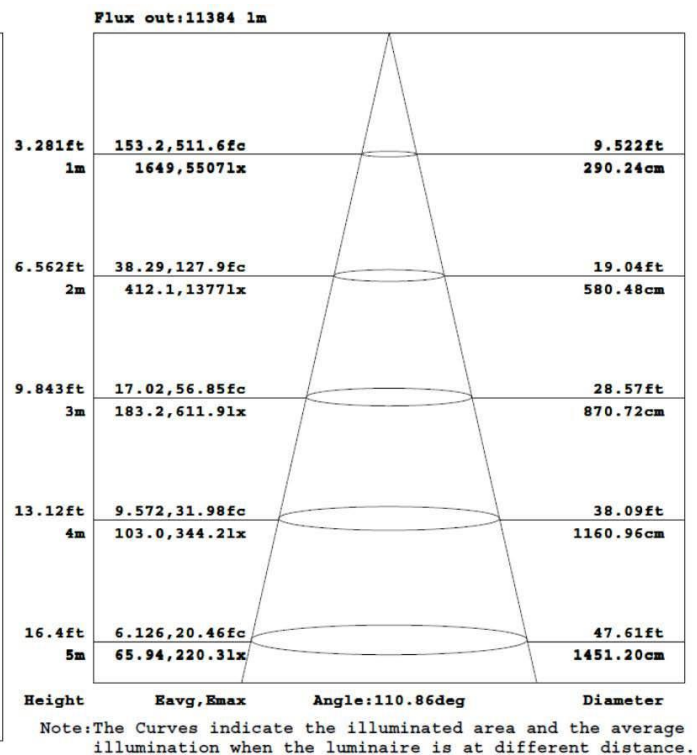
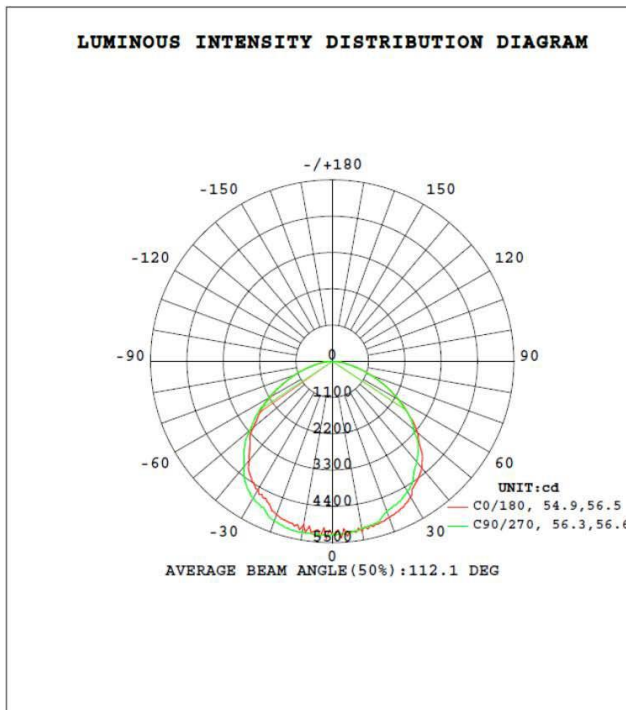
LED Brand	PHILIPS
LED Type	3030, 1.5W
LED QTY	126 PCS
Housing	Aluminum
Housing color	White

Others

Operating Temperature	-20°C TO 45°C
Operating Humidity	20%-90% RH
Storage Temperature	-30°C TO 80°C
Storage Humidity	10%-95%
Application	Outdoor
Safety Certification	UL、cUL
Warranty Time	5 Years

Light Distribution Testing Parameters

DATA OF LAMP		PHOTOMETRIC DATA			
MODEL	130W	Imax (cd)	5505	S/MH (C0/180)	1.28
NOMINAL POWER (W)	130	LOR (%)	100.0	S/MH (C90/270)	1.36
RATED VOLTAGE (V)	120	TOTAL FLUX (lm)	15140	η UP, DN (C0-180)	0.1, 50.1
NOMINAL FLUX (lm)	15139.6	CIE CLASS	DIRECT	η UP, DN (C180-360)	0.1, 49.7
LAMPS INSIDE	1	η up (%)	0.2	CIBSE SHR NOM	1.50
TEST VOLTAGE (V)	120.0	η down (%)	99.8	CIBSE SHR MAX	1.50



Notice

- u Please turn off power before installation, replacement or repair of the fixture.
- u Disconnect and remove the existing fixture.
- u Open the back cover and connect three AC power color coded wires.
- u Mount the new fixture and tighten mounting screws, test for any movement.
- u Tampering voids warranty.
- u Installation requires licensed professional and may require electrical permit.