

S - SERIES 60W LED AREA LIGHT

Description

The S - Series LED Area Light is built to last, the housing is rugged cast aluminum with an integral weather-tight LED driver compartment. Versatile mounting configurations offer simple installation. Its slim low-profile design minimizes wind load requirements and blends seamlessly into the site, providing even quality illumination.

Part #:

DL-S60SST3[XX]A1 - [CCT]

Note: "XX" In P/N Indicates Mounting Style:
AM : ADJUSTABLE SLIP FITTER MOUNT
DM : DIRECT MOUNT
YM : YOKE MOUNT

Note: "CCT" In P/N Indicates Color Temp:
4000K - 5000K - 5700K

Features:

UL cUL

DLC

IP65

130+ Lumens per watt

8474 - 8581 Lumens

70+ CRI

AC 100V - 277V

175W - 250W HID Replacement

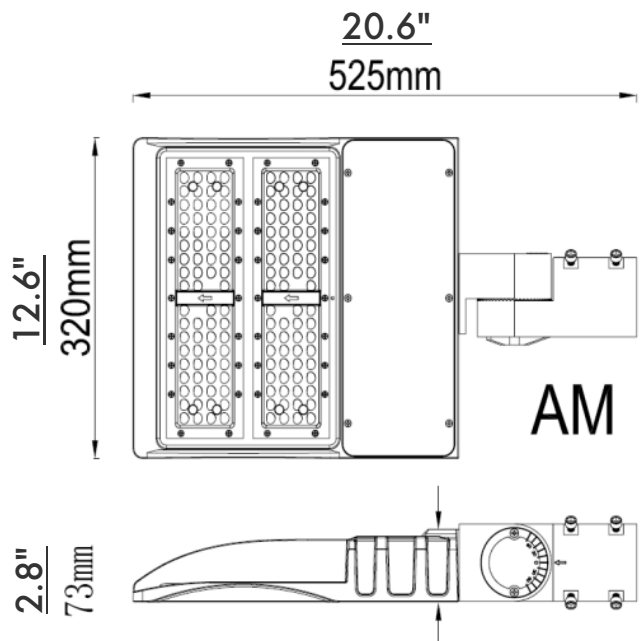
5 Year Warranty

Application

Street Lighting

Outdoor Area Lighting

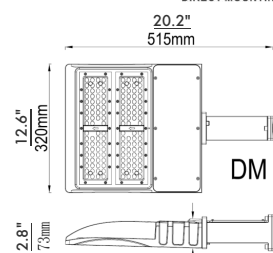
Tennis Courts



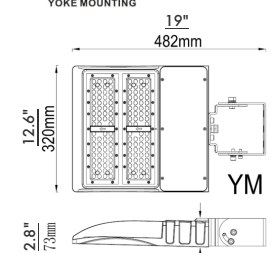
DIRECT MOUNTING



YOKE MOUNTING



DM



YM

Product Specifications

Product name	LED Outdoor Light
Part No	DL-S60SST3[XX]A1
Dimension	DL-S60SST3AMA1: 20.6"x12.6"x2.8" DL-S60SST3DMA1: 20.2"x12.6"x2.8" DL-S60SST3YMA1: 19"x12.6"x2.8"

Technical Characteristic

Color temperature	4000K	5000K	5700K
CRI	>70		
Lumen	8474 - 8581 Lumens		
Lumen Efficacy	130+ LM/W		
Input Power	60W		
Input Voltage	100-277Vac	50/60Hz	
Driver model	Mean Well Driver		
PFC	>0.9		
Waterproof Rating	IP65		

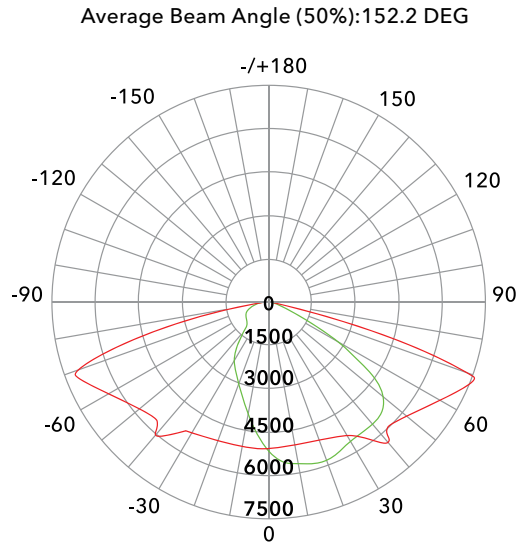
Materials

LED Brand	PHILIPS LUMILEDS
LED Type	LUXEON 3030 2D (1.5W)
LED QTY	60
Optional Accessory	Photocell / Surge protector
Housing	Aluminum
Housing color	Black、Brown

Others

Operating Temperature	-20°C TO 45°C
Operating Humidity	20%-90% RH
Storage Temperature	-30°C TO 80°C
Storage Humidity	10%-95%
Application	Outdoor / Indoor
Safety Certification	UL、cUL、DLC
Warranty Time	5 Years

Photometry:



Unit:cd
 — C0/180, 76.2, 74.7
 — C90/270, 22.0, 58.2

Flux out: 7152 lm

Height	Eavg, Emax	Angle: 81.52deg	Diameter
3.281ft 1m	279.9,500 . 8fc 3013,53911x		5.656ft 172.39cm
6.562ft 2m	69.97,125.2fc 753.1,13481x		11.31ft 344.79cm
9.843ft 3m	31.10,55.65fc 334.7,599.01x		16.97ft 517.18cm
13.12ft 4m	17.49,31.30fc 188.3,336.91x		22.62ft 689.58cm
16.4ft 5m	11.19,20.03fc 120.5,215.61x		28.28ft 861.97cm

Note: The Curves indicate the illuminated area and the average illumination when the luminaire is at different distance.

Notice

- ◆ Please turn off power before installation, replacement or repair of the fixture.
- ◆ Disconnect and remove the existing fixture.
- ◆ Open the back cover and connect three AC power color coded wires.
- ◆ Mount the new fixture and tighten mounting screws, test for any movement.
- ◆ Tampering voids warranty.
- ◆ Installation requires licensed professional and may require electrical permit.