

WP SERIES 15W LED Security Wall Pack

PART#: DL-WP03-15WC1

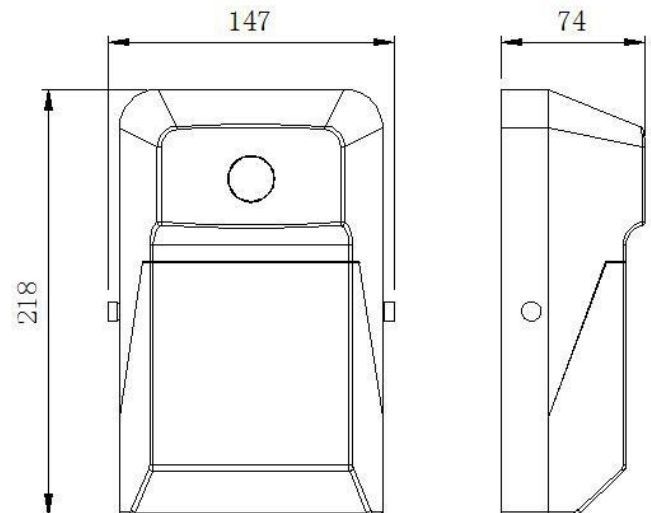


Advantage:

- UL certificate
- IP65 Internal driver,
- Input voltage 100-277VAC
- Easy to install and operate
- Energy savings
- Uniformed light
- Green and eco-friendly.

Application:

- ◆ Entrance lighting
- ◆ Security lighting
- ◆ Stairwell
- ◆ Wall lighting



Product Specifications

Product name	LED Outdoor Light
Part No	DL-WP03-15WC1
Dimension	218*147*74 mm

Technical Characteristic

Color temperature	3000K	3500K	4000K	4500K	5000K	5700K
CRI	>80					
Lumen	1575-1720LM					
Lumen Efficacy	105-115LM/W					
Input Power	15W					
Viewing Angle	110°					
Input Voltage	100-277VAC 50/60Hz					
Driver model	China Brand Driver					
PF	>0.9					
Waterproof Rating	IP65					

Materials

LED Type	2835 (0.2W)
LED QTY	120 PCS
Housing	Aluminum
Housing color	Black

Others

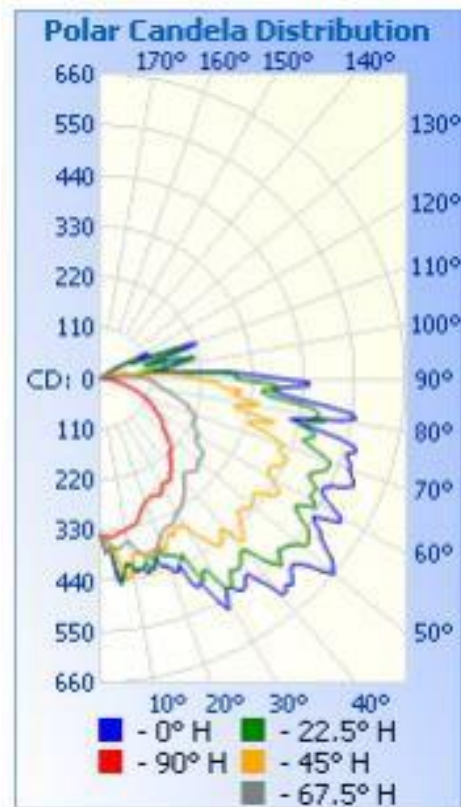
Operating Temperature	-20°C TO 45°C
Operating Humidity	20%-90% RH
Storage Temperature	-30°C TO 80°C
Storage Humidity	10%-95%
Application	Indoor / Outdoor
Safety Certification	UL
Warranty Time	5 Years

Light Distribution Testing Parameters

DATA OF LAMP		PHOTOMETRIC DATA Eff: 105.30 lm/W	
MODEL		Imax(cd)	660.461
NOMINAL POWER(W)	15	LOR(%)	100.0
RATED VOLTAGE(V)	277	TOTAL FLUX(lm)	1605.8
NOMINAL FLUX(lm)	1605.80	CIE CLASS	DIRECT
LAMPS INSIDE	1	D up(%)	9.5
TEST VOLTAGE(V)	277	down(%)	90.5

Illuminance at a Distance			
	Center Beam fc	Beam Width	
17.0ft	1.16 fc	35.9 ft	41.4 ft
34.0ft	0.29 fc	71.7 ft	82.7 ft
51.0ft	0.13 fc	107.6 ft	124.1 ft
68.0ft	0.07 fc	143.4 ft	165.4 ft
85.0ft	0.05 fc	179.3 ft	206.8 ft
102.0ft	0.03 fc	215.2 ft	248.1 ft

■ Vert. Spread: 93.0°
■ Horiz. Spread: 101.2°



Notice

- ◆ Please turn off power before installation, replacement or repair of the fixture.
- ◆ Disconnect and remove the existing fixture.
- ◆ Open the back cover and connect three AC power color coded wires.
- ◆ Mount the new fixture and tighten mounting screws, test for any movement.
- ◆ There's no user serviceable parts, tempering voids warranty.
- ◆ Installation requires licensed professional and may require electrical permit.