

## WP SERIES

### 40W LED Wall Pack

#### Description:

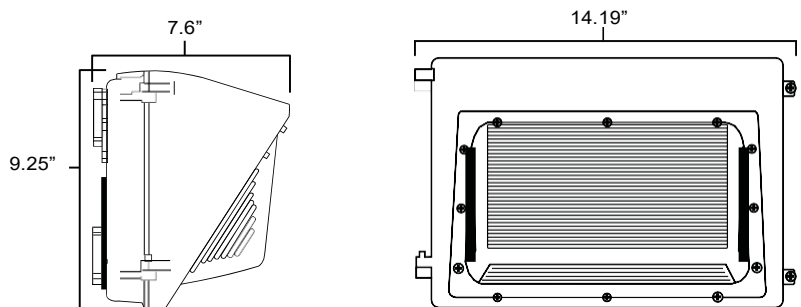
The WP SERIES Wall Packs offer outstanding value and feature a range of energy efficient, easy to install, highly reliable fixtures backed by a 5-year warranty. With traditional and architectural slimline designs, the WP LED Wall Pack portfolio is ideal for quickly and easily illuminating any outdoor space while dramatically reducing energy consumption.



#### Part #:

**DL-WP4-40WA1 - [CCT]**

Note: "CCT" in P/N indicates ColorTemp:  
4000K - 5000K - 5700K



#### Performance:

UL cUL

DLC

IP65

115+ Lumens per watt

4751 - 4850 Lumens

80+ CRI

AC 100V - 277V

100W - 175W HID Replacement

5 Year Warranty



#### Application

Commercial Property

Industrial sites

Hotels

Gas Stations



### Product Specifications

Product name	LED Wall Pack Light
Part No	DL-WP4-40WA1
Dimension	360.5*235*194mm

### Technical Characteristic

Color temperature	4000K	5000K	5700K
CRI	>80		
Lumen	4400-4800LM		
Lumen Efficacy	110-120LM/W		
Input Power	40W		
Viewing Angle	110 Degree		
Input Voltage	100-277VAC	50/60Hz	
Driver model	Universal Driver		
PF	>0.9		
Waterproof Rating	IP65		

### Materials

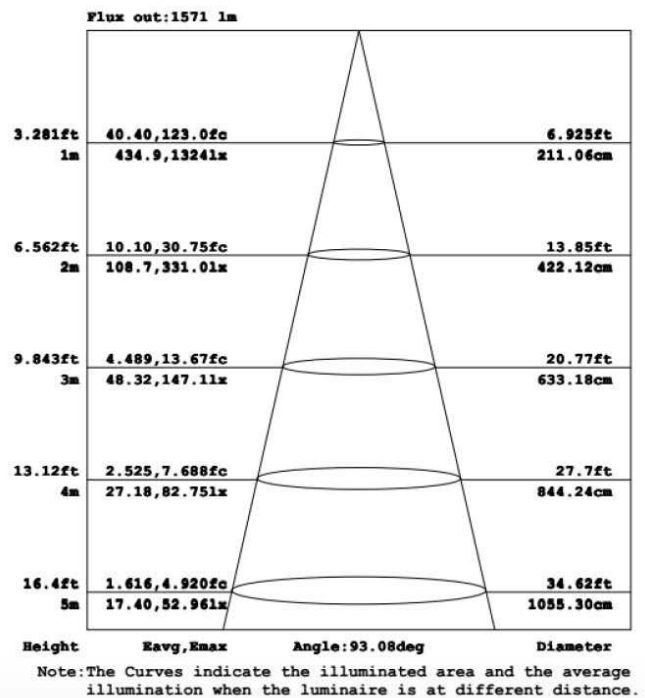
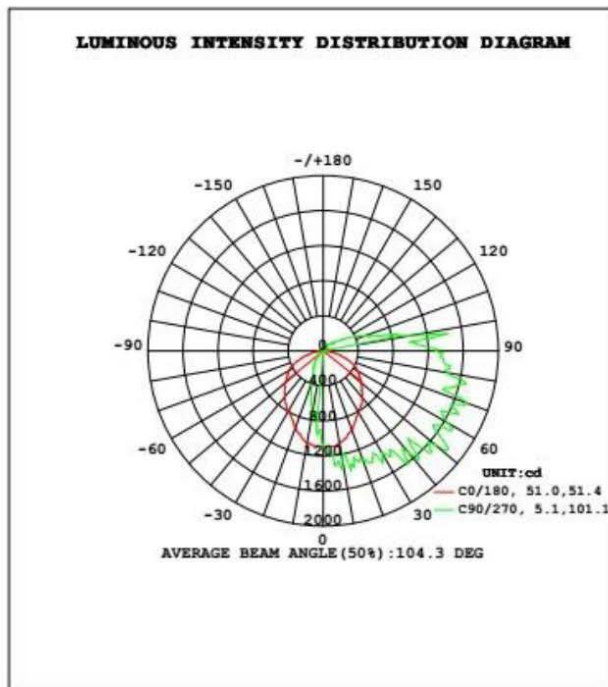
LED Type	2835, 0.5W
LED QTY	150 PCS
Housing	Aluminum(ADC12) +PC
Housing color	Bronze

### Others

Operating Temperature	-20 TO 45
Operating Humidity	20 -90 RH
Storage Temperature	-30 TO 80
Storage Humidity	10 -95
Application	Outdoor / Indoor
Safety Certification	UL cUL DLC
Warranty Time	5 Years

### Light Distribution Testing Parameters

DATA OF LAMP		PHOTOMETRIC DATA Eff: 115.00 lm/W			
MODEL		I <sub>max</sub> (cd)	1810	S/MH (C0/180)	1.09
NOMINAL POWER (W)	40	LOR (%)	100.0	S/MH (C90/270)	0.47
RATED VOLTAGE (V)	120	TOTAL FLUX (lm)	4684.7	η UP, DN (C0-180)	17.4, 70.0
NOMINAL FLUX (lm)	4684.69	CIE CLASS	SEMI-D.	η UP, DN (C180-360)	0.5, 12.2
LAMPS INSIDE	1	η up (%)	17.9	CIBSE SHR NOM	1.00
TEST VOLTAGE (V)	120.0	η down (%)	82.1	CIBSE SHR MAX	1.15



#### Notice

- ◆ Please turn off power before installation, replacement or repair of the fixture.
- ◆ Disconnect and remove the existing fixture.
- ◆ Open the back cover and connect three AC power color coded wires.
- ◆ Mount the new fixture and tighten mounting screws, test for any movement.
- ◆ No user serviceable parts, tampering voids warranty.
- ◆ Installation requires licensed professional and may require electrical permit.