

WP SERIES

60W LED Wall Pack

Description:

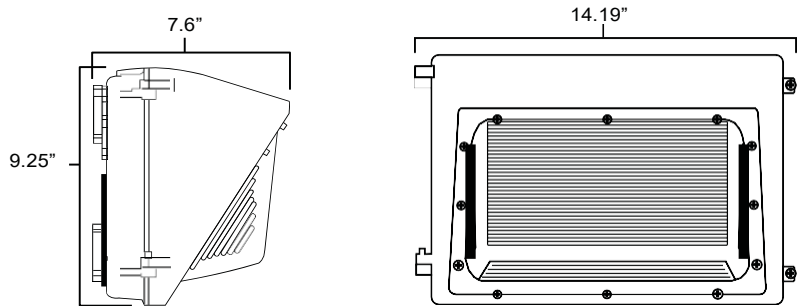
The WP SERIES Wall Packs offer outstanding value and feature a range of energy efficient, easy to install, highly reliable fixtures backed by a 5-year warranty. With traditional and architectural slimline designs, the WP LED Wall Pack portfolio is ideal for quickly and easily illuminating any outdoor space while dramatically reducing energy consumption.



Part #:

DL-WP4-60WA1 - [CCT]

Note: "CCT" in P/N indicates ColorTemp:
4000K - 5000K - 5700K



Performance:

UL cUL

DLC

IP65

115+ Lumens per watt

7333 - 7412 Lumens

80+ CRI

AC 100V - 277V

175W - 250W HID Replacement

5 Year Warranty

Application

Commercial Property

Industrial sites

Hotels

Gas Stations



Product Specifications

Product name	LED Wall Pack Light
Part No	DL-WP4-60WA1
Dimension	360.5*235*194mm

Technical Characteristic

Color temperature	4000K	5000K	5700K
CRI	>80		
Lumen	7333 - 7412 Lumens		
Lumen Efficacy	110-120LM/W		
Input Power	60W		
Viewing Angle	110 Degree		
Input Voltage	100-277VAC	50/60Hz	
Driver model	Universal Driver		
PF	>0.9		
Waterproof Rating	IP65		

Materials

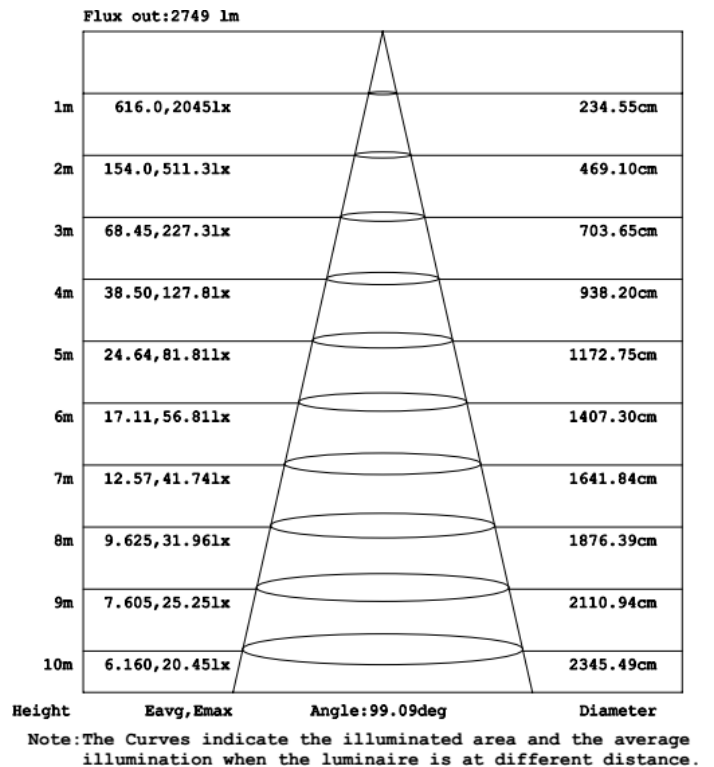
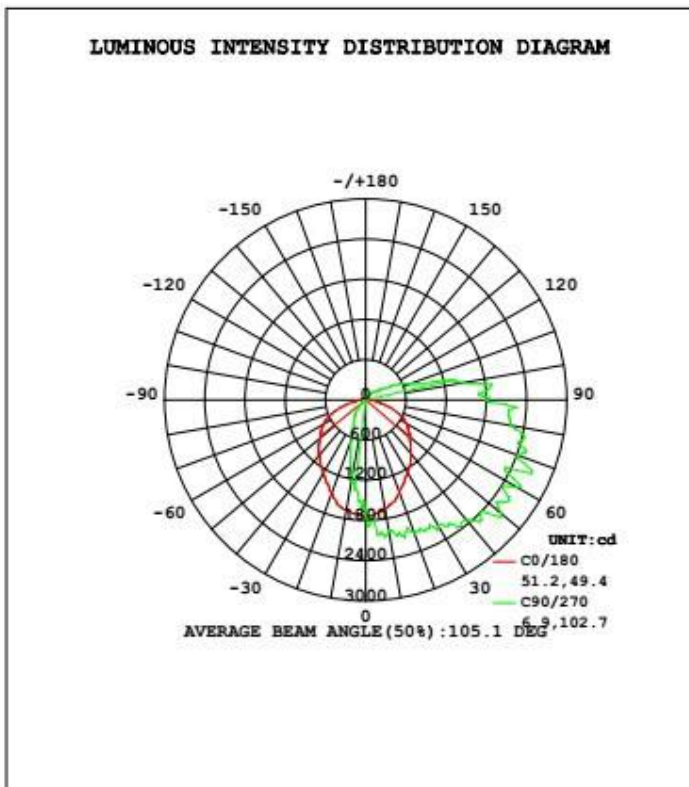
LED Type	2835, 0.5W
LED QTY	220 PCS
Housing	Aluminum(ADC12) +PC
Housing color	Brown

Others

Operating Temperature	-207 TO 457
Operating Humidity	20 -90 RH
Storage Temperature	-307 TO 807
Storage Humidity	10 -95
Application	Outdoor / Indoor
Safety Certification	UL cUL DLC
Warranty Time	5 Years

Light Distribution Testing Parameters

DATA OF LAMP		PHOTOMETRIC DATA Eff: 113.01 lm/W			
MODEL		I _{max} (cd)	2707	S/MH (C0/180)	1.09
NOMINAL POWER (W)	60	LOR (%)	100.0	S/MH (C90/270)	0.50
RATED VOLTAGE (V)	120	TOTAL FLUX (lm)	7280.4	η UP, DN (C0-180)	16.7, 70.0
NOMINAL FLUX (lm)	7280.43	CIE CLASS	SEMI-D.	η UP, DN (C180-360)	0.5, 12.8
LAMPS INSIDE	1	η up (%)	17.2	CIBSE SHR NOM	1.00
TEST VOLTAGE (V)	120.0	η down (%)	82.8	CIBSE SHR MAX	1.15



Notice

- ◆ Please turn off power before installation, replacement or repair of the fixture.
- ◆ Disconnect and remove the existing fixture.
- ◆ Open the back cover and connect three AC power color coded wires.
- ◆ Mount the new fixture and tighten mounting screws, test for any movement.
- ◆ No user serviceable parts, tampering voids warranty.
- ◆ Installation requires licensed professional and may require electrical permit.