

## WP SERIES

### 100W LED Wall Pack

#### Description:

The WP SERIES Wall Packs offer outstanding value and feature a range of energy efficient, easy to install, highly reliable fixtures backed by a 5-year warranty. With traditional and architectural slimline designs, the WP LED Wall Pack portfolio is ideal for quickly and easily illuminating any outdoor space while dramatically reducing energy consumption.

#### Part #:

**DL-WP-100WA1 -**  
**[CCT]**

Note: "CCT" in P/N indicates Color Temp:  
4000K - 5000K - 5700K

#### Performance:

UL cUL

DLC

IP65

120+ Lumens per watt

12860 - 13090 Lumens

80+ CRI

AC 100V - 277V

250W - 400W HID Replacement

5 Year Warranty

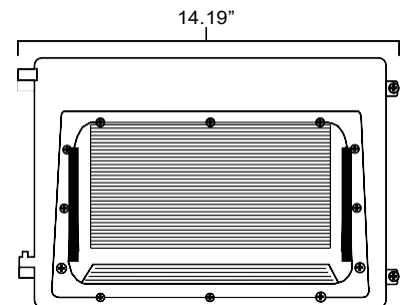
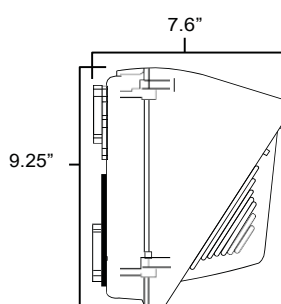
#### Application

Commercial Property

Industrial sites

Hotels

Gas Stations



**Product Specifications**

Product name	LED Outdoor Light
Part No	DL-WP4-100WA1
Dimension	360.5*235*194mm

**Technical Characteristic**

Color temperature	4000K	5000K	5700K
CRI	>80		
Lumen	11500-12500LM		
Lumen Efficacy	115-125LM/W		
Input Power	100W		
Viewing Angle	110 Degree		
Input Voltage	100-277VAC	50/60Hz	
Driver model	Universal Driver		
PF	>0.9		
Waterproof Rating	IP65		

**Materials**

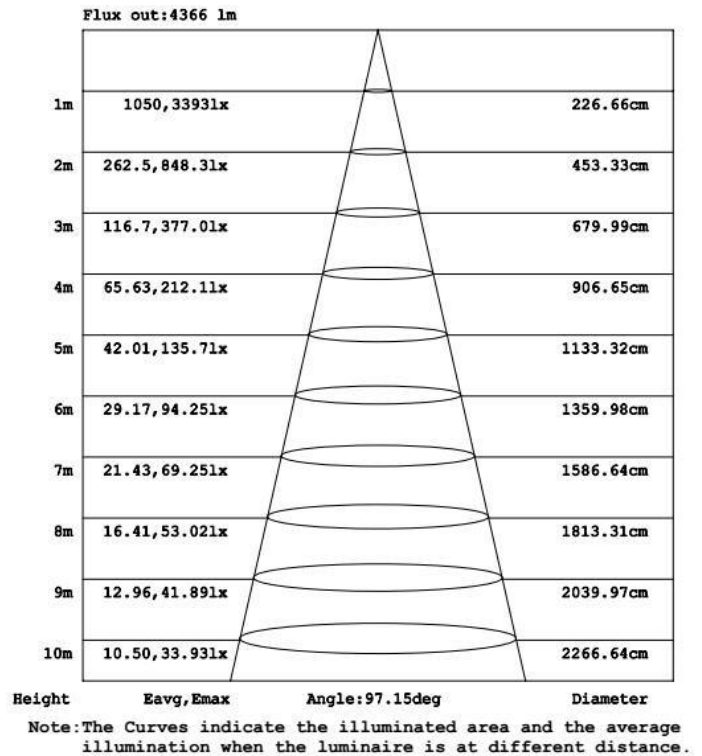
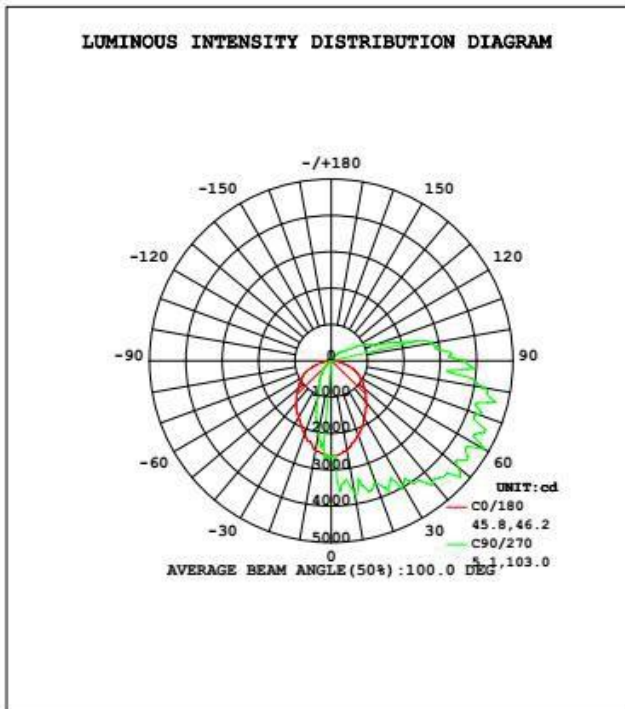
LED Type	2835, 0.5W
LED QTY	360 PCS
Housing	Aluminum(ADC12) +PC
Housing color	Brown

**Others**

Operating Temperature	-20°C TO 45°C
Operating Humidity	20%-90% RH
Storage Temperature	-30°C TO 80°C
Storage Humidity	10%-95%
Application	Outdoor / Indoor
Safety Certification	UL
Warranty Time	5 Years

### Light Distribution Testing Parameters

DATA OF LAMP		PHOTOMETRIC DATA    Eff: 116.86 lm/W			
MODEL :		I <sub>max</sub> (cd)	4856	S/MH (C0/180)	1.04
NOMINAL POWER (W)	100	LOR (%)	100.0	S/MH (C90/270)	0.58
RATED VOLTAGE (V)	120	TOTAL FLUX (lm)	11967	η UP, DN (C0-180)	16.9, 70.0
NOMINAL FLUX (lm)	11966.6	CIE CLASS	SEMI-D.	η UP, DN (C180-360)	0.5, 12.6
LAMPS INSIDE	1	η up (%)	17.4	CIBSE SHR NOM	1.25
TEST VOLTAGE (V)	120.0	η down (%)	82.6	CIBSE SHR MAX	1.30



#### Notice

- ◆ Please turn off power before installation, replacement or repair of the fixture.
- ◆ Disconnect and remove the existing fixture.
- ◆ Open the back cover and connect three AC power color coded wires.
- ◆ Mount the new fixture and tighten mounting screws, test for any movement.
- ◆ No user serviceable parts, tampering voids warranty.
- ◆ Installation requires licensed professional and may require electrical permit.