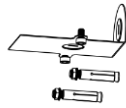




AM



YM



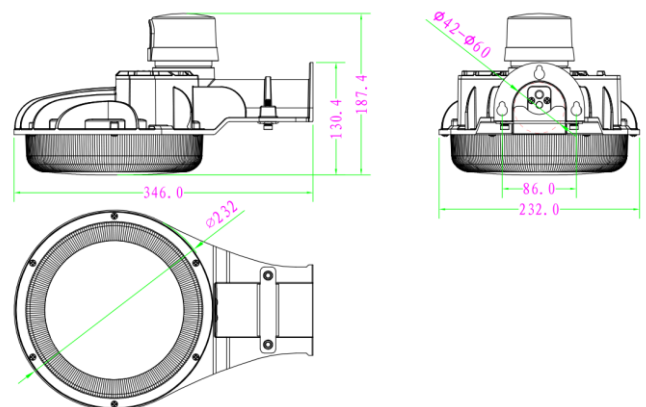
NAME: LED DUSK TO DAWN LIGHT

P/N: DL-MSL02-40W1XT5DA1-abcef

1. The letter "X" can be any alphabet for LED manufactory, B means Lumileds 3030, C means Seoul 3030.
2. The letter "a" can be 2 letters represent lamp colors; "BH = Silver、BR=Brown or Customized".
3. The letter "b" can be "3RP", "3NP", "5RP", "5NP", "7RP", "7NP" or blank for photocontrol type provided or not.
4. The letter "c" can be "10SP", "20SP" or blank for Surge protector type provided or not.
5. The letter "e" can be Installation parts, AM=Pipe arm installation, YM=Wall installation.
6. The letter "f" can be any two digits to represent CCT.

Advantage

- Sufficient for UL cUL DLC certificate
- CCT selectable
- Lumileds or Seoul Chip, High CRI
- China Brand driver, Input voltage 120-277Vac
- Output constant current lever can be adjusted through output cable with 1-10V.
- No UV or IR in the beam
- Energy saving, Long lifespan
- Light is soft and uniform, Safe to eyes.
- Instant start, NO flickering, NO humming
- Green and eco-friendly without mercury



Application

- ◆ City Slow Lane, Narrow Lane
- ◆ Residential Area, Plaza
- ◆ Sightseeing Area, Village Road
- ◆ Factories, Courtyards, Fishing port, Exterior of warehouses, etc.

Product Specifications

Product name	LED DUSK TO DAWN LIGHT
Part No	DL-MSL02-40W1XT5DA1-abcef
Dimension	346 x 232 x 130.4mm 346 x 232 x 187.4mm (Photocell sensor)

Technical Characteristic

Color temperature	3000K – 4000K – 5000K
CRI	>70
Lumen	5600 - 6200LM
Input Power	40W
Lumen Efficacy	140-155 LM/W
Viewing Angle	TYPE V (150° *150°)
Input Voltage	120-277Vac 50/60Hz
Driver model	China Brand Driver WP-HLA-040U0450850
PFC	>0.9
Waterproof Rating	IP65

Materials

LED Brand	LUMILEDS / SEOUL
LED Type	SMD 3030
LED QTY	56PCS (3000K) + 56PCS (5000K)
Housing	Aluminum
Housing color	Silver/Brown/Customized

Others

Operating Temperature	-40°C TO 50°C
Operating Humidity	10%-90% RH
Storage Temperature	-40°C TO 80°C
Storage Humidity	10%-95%
Application	Outdoor
Safety Certification	UL、cUL on pending
Warranty Time	5 Years

Light Distribution Testing Parameters

Luminaire Property

Luminaire Manufacturer:

Voltage: 120.9 V

Power: 39.05 W

Current: 0.326 A

Power Factor: 0.991

Photometric Results

CIE Class: Direct

Measurement Flux: 5610.7 lm

Downward Ratio: 98%

Horizontal Diffuse Angle(50%): H145

Vertical Diffuse Angle(50%): V144.9

Luminaire Efficacy Rating (LER): 143.73

Max. Intensity: 1339.24 cd

S/MH(C0/C180): 1.77

Total Rated Lamp Lumens: 5610.7 lm

Efficiency: 100%

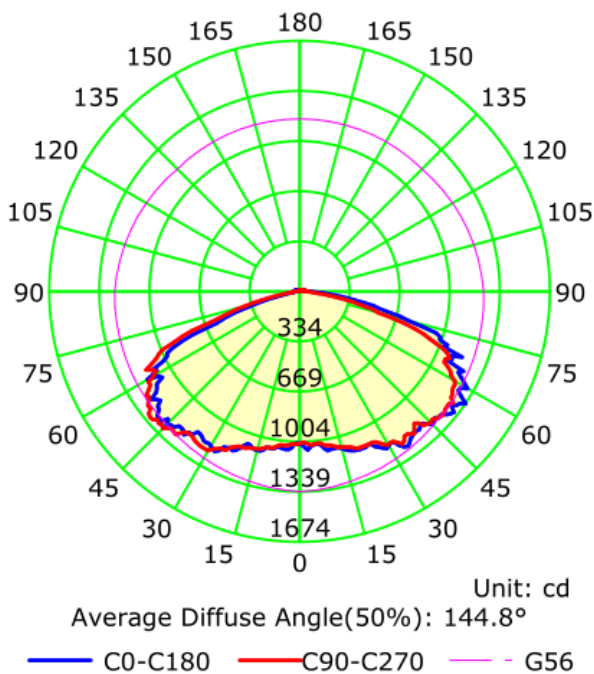
Upward Ratio: 2%

Central Intensity: 1020.92 cd

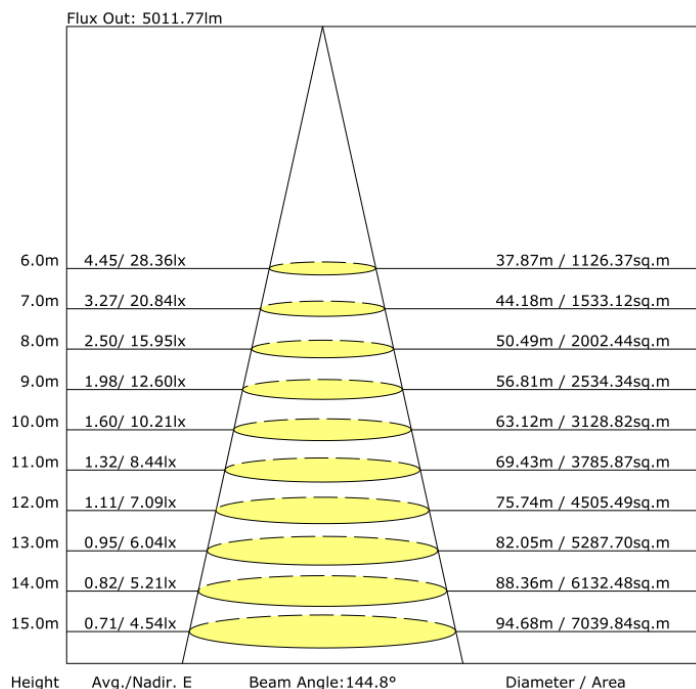
Pos of Max. Intensity: H0 V56

S/MH(C90/C270): 1.78

Luminous Intensity Distribution Curve



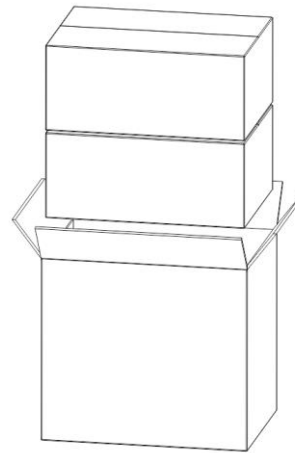
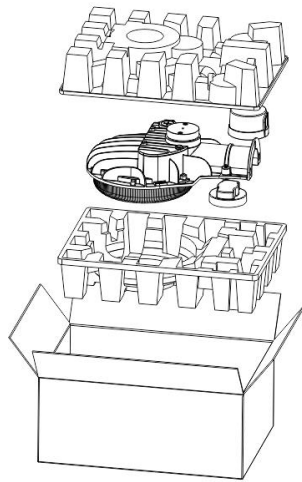
The Average Illuminance Effective Figure



Package

Lamps Net Weight: 2.2 Kg/pc

	Size	Qty/ Carton	Weight / Carton
Inner box	425 x 305 x 185mm	1	2.9 KG
Outer box	440 x 320 x 395mm	2	6.9 KG



Notice For User

- ◆ Please turn off power before install or change assembly parts.
- ◆ The input voltage and lamps should be matched, after connecting the power line, Please make sure the wiring section is insulated.
- ◆ No-professionals must not install and disassemble the lamps.

Trouble Shootings

Troubles	Check points
Flickering of the light	Turn off the power and turn on again in 3 minutes. If same phenomena occur, then call agencies
Out of working	Please check the connection