

P/N: DL-S-G11-150WCT3A1-abcdef

The letter "a" can be any two letters to represent lamp colors; "BH = Black", "WH = White", "BR = Brown" or Customized

The letter "b" represent photocontrol, which can be "3RP", "3NP", "5RP", "5NP", "7RP", "7NP" for Photocontrol type provided or blank for no Photocontrol provided.

The letter "c" represent surge protector, can be "10SP", "20SP" for Surge-Protective Device type provided or blank for no Surge-Protective Device provided.

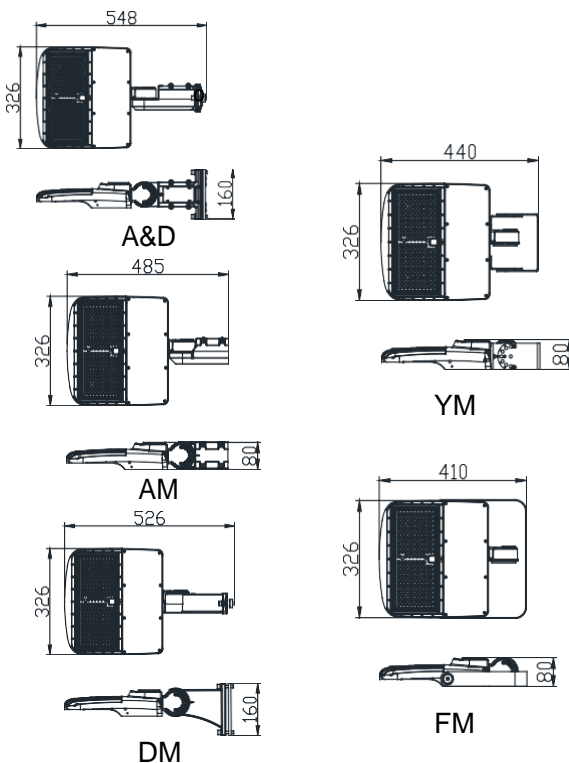
The letter "d" can be "M" or blank for Motion Sensor provided or not.

The letter "e" represent bracket, can be "AM", "DM", "YM", "A&DM" and "FM" or not.

The letter "f" can be any two digits to represent CCT.



DIMENSIONS



Advantage:

- UL cUL DLC certificate.
- Seoul Chip, high CRI
- IP65 driver, Input voltage 100-277Vac
- Output constant current lever can be adjusted through output cable with 1-10V.
- No UV or IR in the beam
- Easy to install and operate
- Energy saving, Long lifespan
- Light is soft and uniform, Safe to eyes
- Instant start, NO flickering, NO humming
- Green and eco-friendly without mercury.

Application:

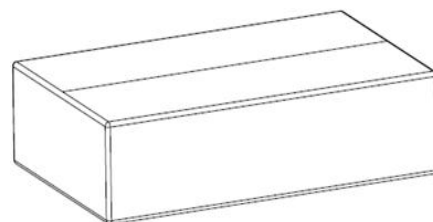
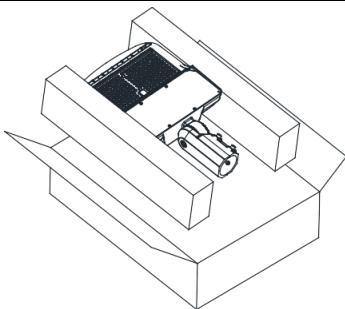
- Outdoor basketball court, tennis court.
- Badminton court, the football field.
- The school playground, stadium.
- Community leisure entertainment plaza, road lamp etc.

SPECIFICATIONS

| | | |
|-------------------|-----------------------|---|
| OPTICAL | Input Power | 150W |
| | Lumen | 19500-21000LM |
| | Lumen Efficacy | 130-140 LM/W |
| | Color Temperature | 4000K, 5000K, 5700K |
| | CRI | >70 |
| | Viewing Angle | 160*96 Degree (Type III) |
| ELECTRICAL | Input Voltage | 100-277VAC 50/60Hz |
| | PF | ≥0.9 |
| | THD | ≤20% |
| | Driver Model | SOSEN SS-150VA-56B |
| | Optional Accessory | Photocell / Surge protector/ Motion sensor/Socket |
| MATERIALS | LED Brand | Seoul |
| | LED Type | 3030 |
| | LED QTY | 189PCS |
| | Housing | Aluminum Alloy |
| | Housing Color | Black / Brown/white/Customized |
| | Waterproof Rating | WET (IP65) |
| OTHERS | Operating Temperature | -40°C TO 50°C |
| | Operating Humidity | 10%-90% RH |
| | Storage Temperature | -40°C TO 80°C |
| | Storage Humidity | 10%-95% RH |
| | Warranty Time | 5 Years |

PACKAGE

| Stent Type | Lamps Net Weight | Size | Qty/ Carton | Weight/ Carton |
|------------|------------------|---------------|-------------|----------------|
| AM | 4.9Kg | 555*375*160MM | 1 | 5.8Kg |
| DM | 5.5Kg | 555*375*160MM | 1 | 6.4Kg |
| YM | 5.0Kg | 555*375*160MM | 1 | 5.9Kg |
| A&D | 5.4Kg | 555*375*160MM | 1 | 6.3Kg |
| FM | 4.7Kg | 555*375*160MM | 1 | 5.6Kg |



LIGHT DISTRIBUTION TESTING PARAMETERS

Luminaire Property

Luminaire Manufacturer:

Voltage: 119.6 V

Power: 151.99 W

Current: 1.272 A

Power Factor: 0.998

Photometric Results

IES Classification: Type III

Total Rated Lamp Lumens: 20080.9 lm

Efficiency: 100%

Upward Ratio: 1%

Central Intensity: 240 cd/klm

Pos of Max. Intensity: H180 V68

Longitudinal Classification: Medium

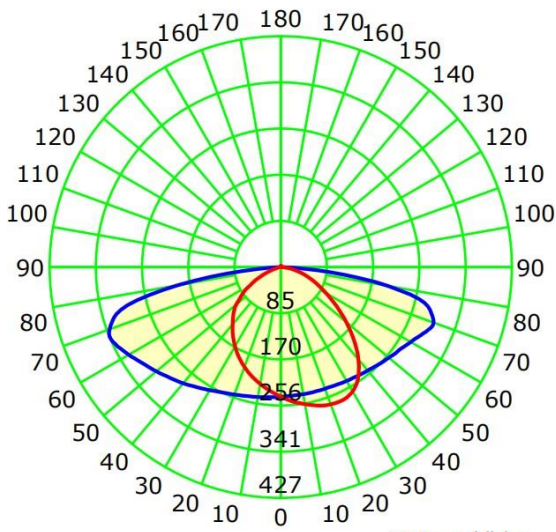
Measurement Flux: 20080.9 lm

Downward Ratio: 99%

Luminaire Efficacy Rating (LER): 132.17

Max. Intensity: 341.81 cd/klm

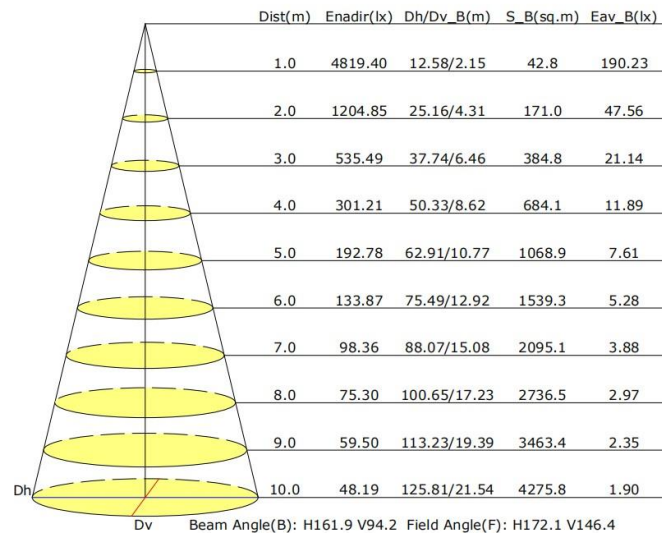
Luminous Intensity Distribution Curve



Unit: cd/klm
Average Diffuse Angle(50%): 128.1°

— C0-C180 — C90-C270

Illuminance at a Distance



NOTICE FOR USER

- Please turn off power before install or change assembly parts.
- The input voltage and lamps should be matched, after connecting the power line, Please make sure the wiring section is insulated.
- No-professionals, must not install and disassemble the lamps.

TROUBLE SHOOTINGS

| Troubles | Check points |
|-------------------------|--|
| Flickering of the light | Turn off the power and turn on again in 3 minutes. If same phenomena occur, then call agencies. |
| Out of working | Please check the connection. |