



P/N: DL-HB05B-100WRXYD1-abcd

Note:

DL= Company name

HB05B = Product series, LED High Bay Light

100W = Rating Power

D1 = Version number

a=Stand for lamp color, Can be any two letters

b=Surge-Protective Device, Can be S or blank

c= Motion Sensor, can be M or blank,

d=CCT,

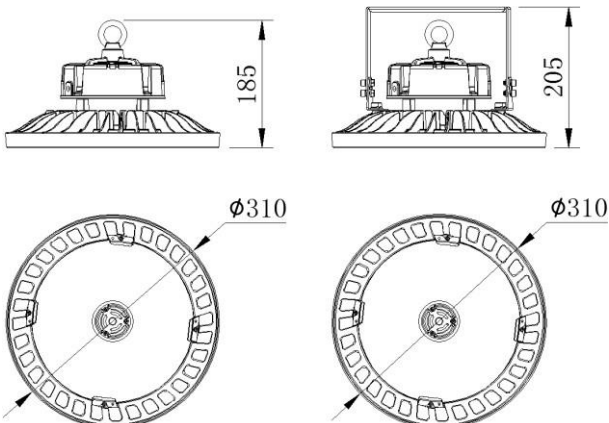
40=4000K, 45=4500K, 50=5000K, 57=5700K



ADVANTAGE

- UL cUL DLC certificate.
- IP65 driver, input voltage 100-277VAC.
- No UV or IR in the beam.
- Easy to install and operate.
- Energy saving, long lifespan.
- Light is soft and uniform, safe to eyes.
- Instant start.
- Green and eco-friendly without mercury.

DIMENSIONS



APPLICATION

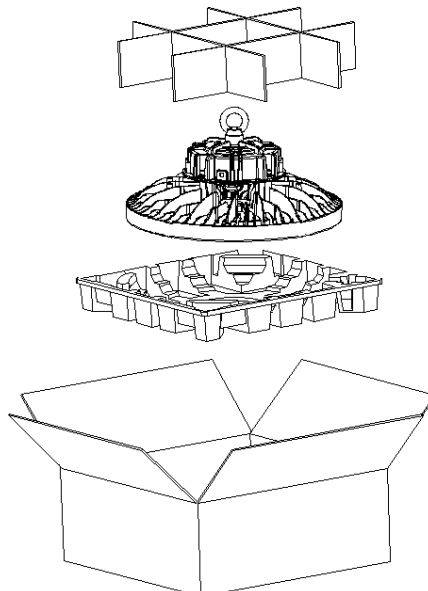
- Warehouse, factory and workshops;
- Highway toll station and gas station;
- Exhibition hall;
- Gymnasium and supermarkets, etc.

SPECIFICATIONS

OPTICAL	Input Power	100W
	Cover	Flat clear glass
	Lumen	14000-15500LM
	Viewing Angle	110°
	Color Temperature	4000K/4500K/5000K/5700K
	CRI	>80
ELECTRICAL	Input Voltage	100-277VAC 50/60Hz
	PF	≥0.9
	THD	≤20%
	Driver Model	China Brand Driver (1-10V dimming)
	Optional Accessory	Motion Sensor/Surge-Protective Device
MATERIALS	LED Type	SMD2835 (0.5W)
	LED QTY	320 PCS
	Housing	Aluminum Alloy
	Housing Color	Any colors
	Cover	Flat clear glass
	Waterproof Rating	WET(IP65)
OTHERS	Operating Temperature	-40°C TO 55°C
	Operating Humidity	10%-90% RH
	Storage Temperature	-40°C TO 80°C
	Storage Humidity	10%-95% RH
	Warranty Time	5 Years

PACKAGE

	Size	Qty / Carton	Lamps Net Weight	Weight/ Carton
Outer box	382x382x196 mm	1PC	2.95KG	4 KG



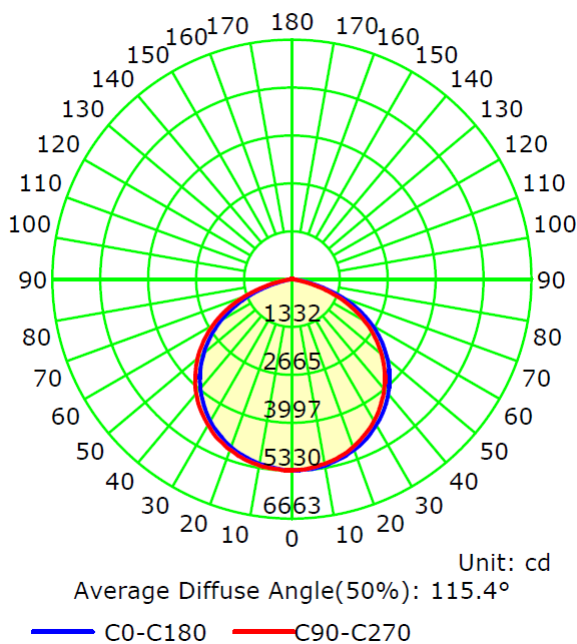
LIGHT DISTRIBUTION TESTING PARAMETERS

Photometric Results

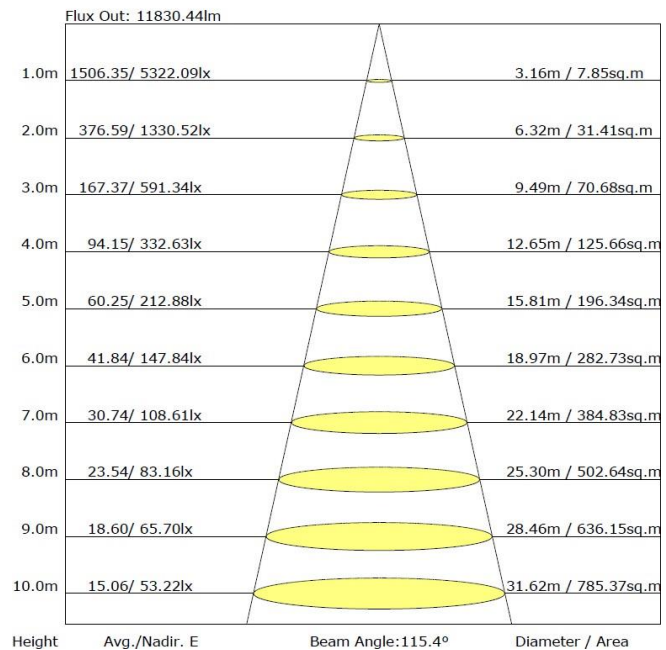
IES Classification: Type II
 Total Rated Lamp Lumens: 15197.0 lm
 Efficiency: 100%
 Upward Ratio: 1%
 Central Intensity: 5322.09 cd
 Pos of Max. Intensity: H292.5 V2

Longitudinal Classification: Very Short
 Measurement Flux: 15197 lm
 Downward Ratio: 99%
 Luminaire Efficacy Rating (LER): 144.95
 Max. Intensity: 5330.49 cd

Luminous Intensity Distribution Curve



The Average Illuminance Effective Figure



NOTICE FOR USER

- Please turn off power before install or change assembly parts.
- The input voltage and lamps should be matched, after connecting the power line, Please make sure the wiring section is insulated.
- No-professionals, must not install and disassemble the lamps.

TROUBLE SHOOTINGS

Troubles	Check points
Flickering of the light	Turn off the power and turn on again in 3 minutes. If same phenomena occur, then call agencies.
Out of working	Please check the connection.