



55" Outdoor PIDS LCD sign specification



Model: NHSSM-550LH-105-YYC, PIDS, Landscape

- ✓ 55" Outdoor weather proof sealed dynamic monitor
- ✓ Tamper-proof, anti-reflection, tempered glass over the screen
- ✓ Heater, auto-ambience and temperature control board
- ✓ Commercial, maintenance-ready, intelligent ventilation system design
- ✓ Powdered steel enclosure structure



Proprietary Notice

The information disclosed herein contains proprietary rights of Nanov Display, Inc. (Nanov). Neither this document nor the information disclosed herein shall be reproduced or transferred to other documents. Nor shall the information be used or disclosed to others for manufacturing or any other purposes except as specifically authorized in writing by Nanov.

Copyright© 2020 Nanov Display, Inc. All rights reserved.

LCD Panel

Parameter	Specification
Video Orientation	Landscape
Screen Dimensions (W x H)	684mm x 1213mm; (26.9in. x 47.8in.)
Enclosure Dimensions (W x H x D)	859mm x 1500mm x 166mm; (33.8in. x 59.1in. x 6.5in.)
Resolution	1920 x 1080 pixels
Color	1.07 billion colors (10-bit)
Dimming	50-100% automatic dimming
Calibrated Intensity	2500 Cd/m ²
Color Temperature Modes	Warm / Medium / Cool
Refresh Rate	120 Hz
Contrast Ratio	2,000:1 (Typical); 10,000:1 (Dynamic)
Viewing Angle	178 degrees (side/side) 178 degrees (up/down)
Burn Time (one static image)	30 min

Power, Computer & Electronics

Parameter	Specification
Power Consumption	400 W (Average); 600 W (Maximum)
Embedded computer (Option)	CPU
	RAM
	Storage
	OS
Inputs / Outputs	HDMI DVI (720p/1080i/1080p) Composite Video Input PC Input via 15-pin LAN (RJ45, Cat 6) RS-232C Wi-Fi 802.11ac + Bluetooth 4.0 Module Optional: LTE Modem
On Screen Display (OSD)	English (default),
Hardware Maintenance Software	Installed networking module to control hardware

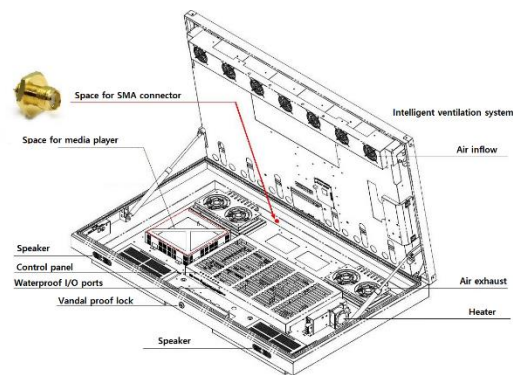
System Level Design & Durability

Parameter	Specification
Rated Operating Conditions	Temperature: -35°C to +45°C Humidity: 20% to 80%
Heating, Ventilation & Air Circulation (HVAC)	Automated system for heating & cooling with active air inflow & exhaust <i>[patent pending]</i>
External Housing	Fully-sealed, weather-proof enclosure Powder coated surface treatment Available finishing materials: Stainless steel, Aluminum, Architectural glass
Glass	Anti-vandal, tempered glass
Certification	FCC, UL 48
Warranty	36 Months
Mean Time Between Failure	50,000 hours

Maintenance Door Concept

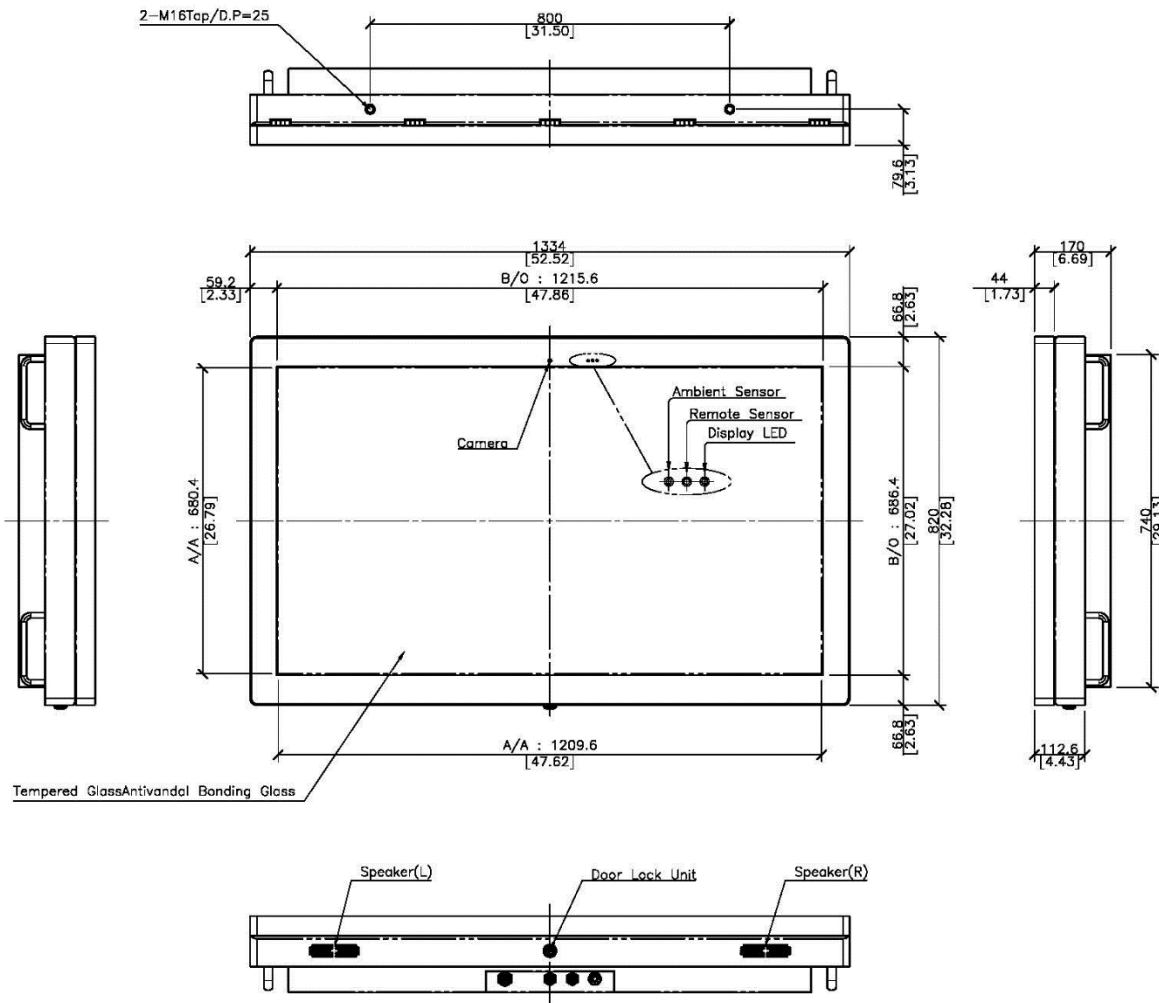
This Nanov Display product is designed with easy maintenance access in mind. You can swing open the enclosure door to access the monitor in no time at all. Next, to access the electronics directly, the screen can pivot upwards thanks to its mounting with heavy-duty pneumatic spring.

Front opening mechanic – Easy maintenance

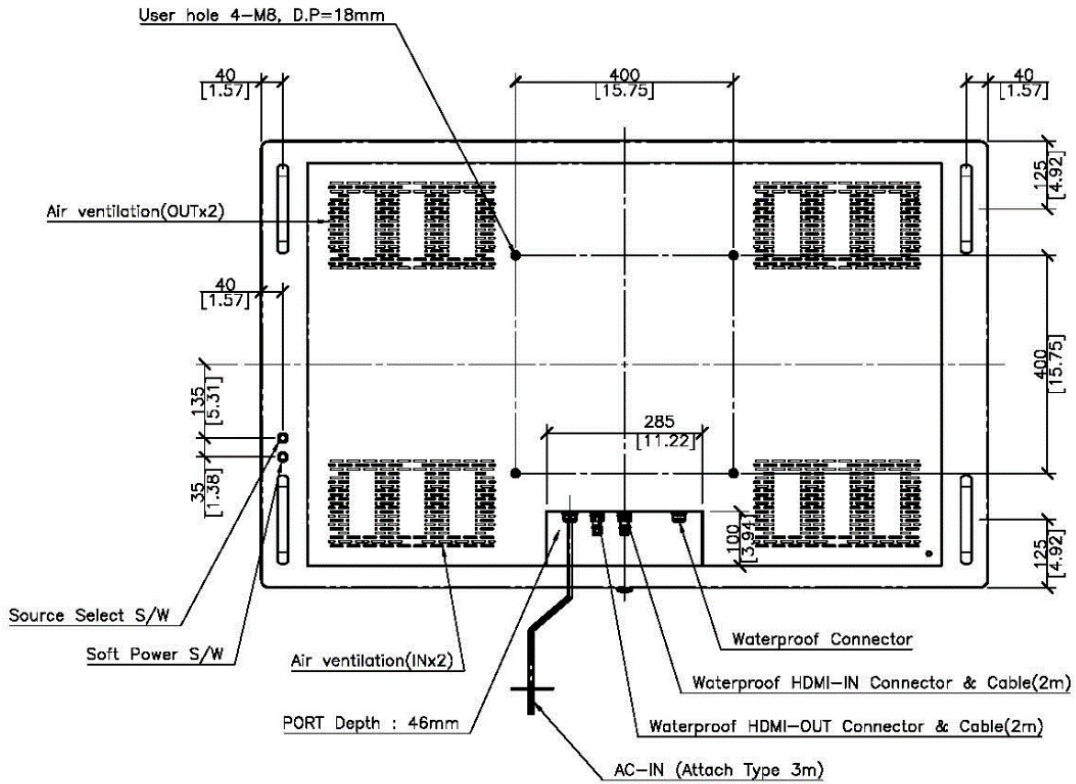
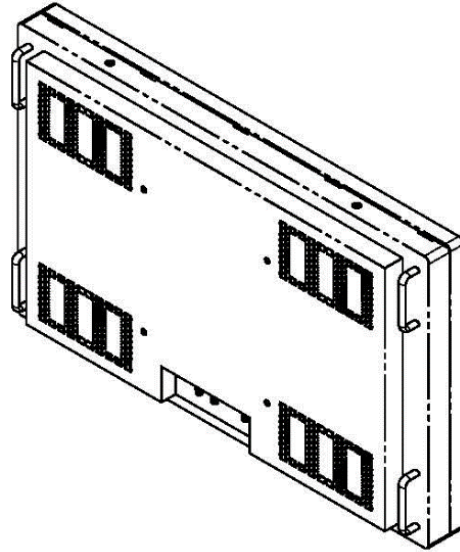


Physical Dimensions

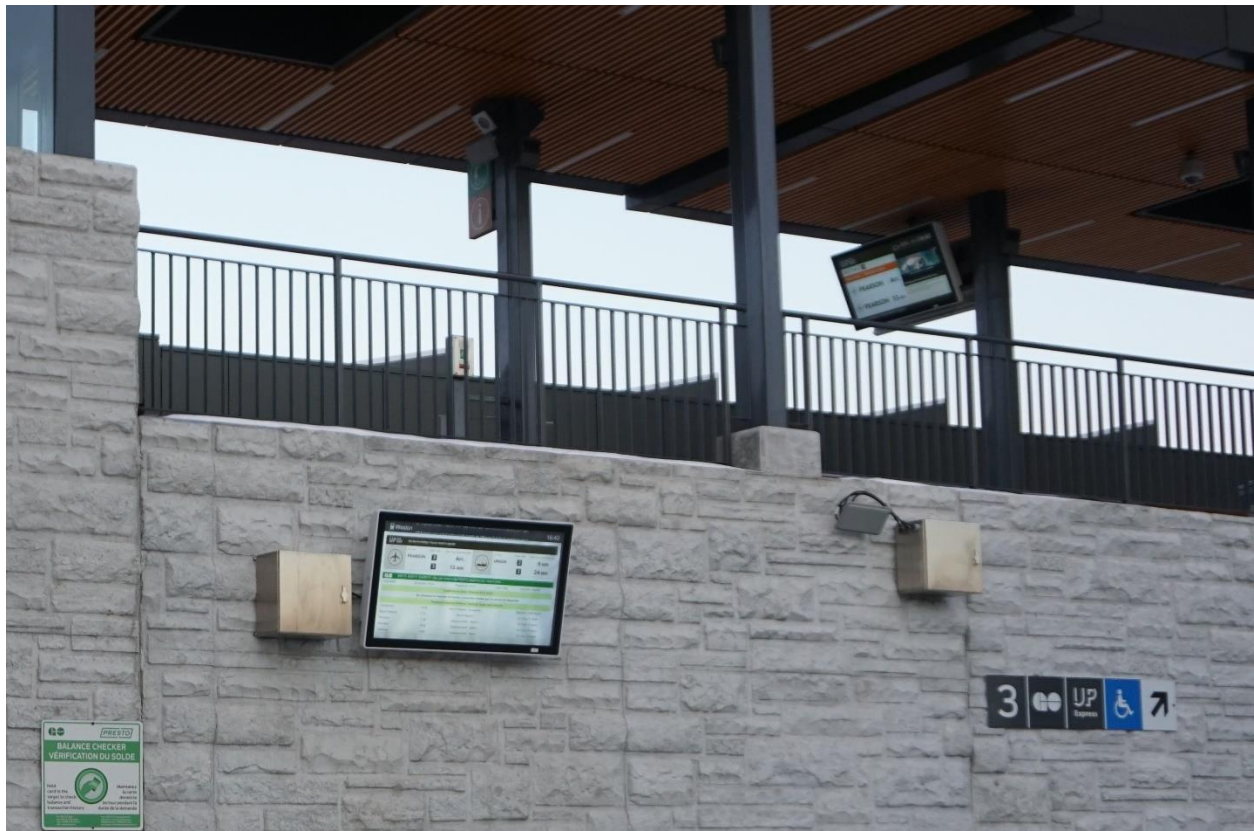
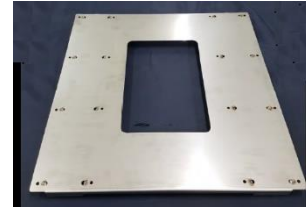
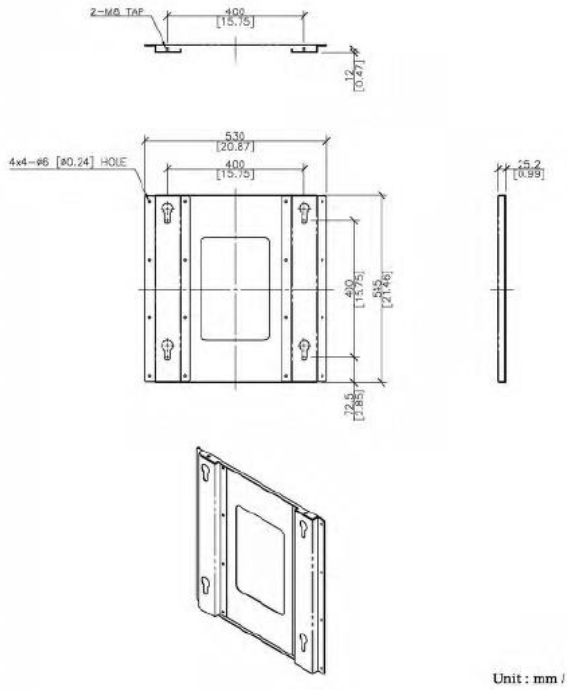
Total System Weight: 100 kg (220 lb.) per unit



Wall mount solution kit



Application: Wall Mount



Application: Double-sided

Option: Custom Ceiling mount: 10degree angle

REV. NO	REV. HISTORY	LTR	ECO NO	DATE	APPRL
DWG PART					
00 00	INITIAL RELEASE				

NOTES:

1. LCD Panel : SDC, LT1660HP04
2. Material : K.G.I.
3. Cabinet Color : BLACK
4. Tempered Glass : 8.0T (Antivandal Bonding 8T & 3T Glass)
- SunTec Glass

DRAWN	PLANNED	CHECKED	APPROVED	SCALE	DATE	PROJECT	CUSTOMER	REV. NO	REV. DATE	REV. BY	REV. REASON
S.LIANG	S.LIANG		Y.T.SIM	1:1	2014-01-10	NHSSM-550LH-105-YYC	NANOV	00			
S.LIANG	S.LIANG		Y.T.SIM	1:1	2014-01-10	NHSSM-550LH-105-YYC	NANOV	01			

55" outdoor double-sided ceiling mount

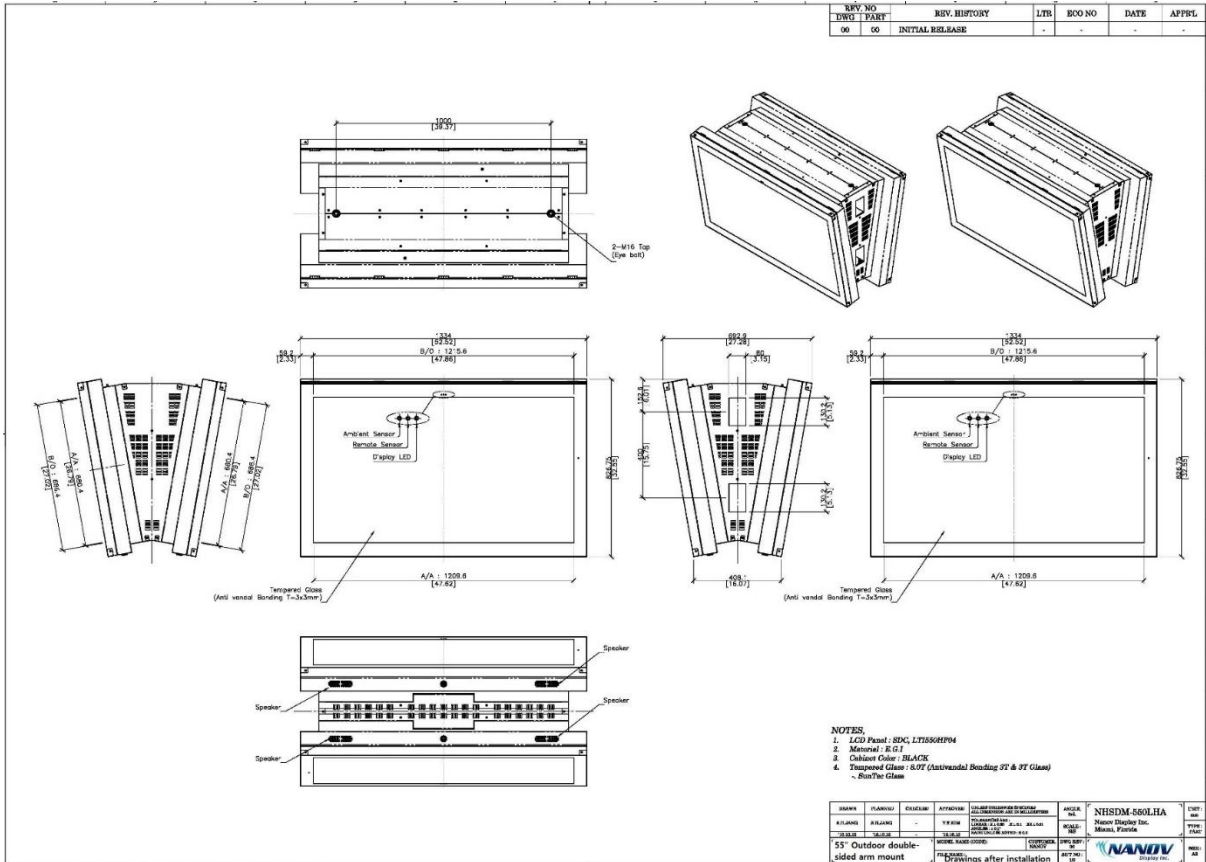
Installation-concept

NHSDM-550LHC

Nanov Display Inc.
Miami, Florida

NANOV Display Inc.

Option: Custom arm mount: 10degree angle





NANOV DISPLAY INC.
141 Flushing Ave Unit 705
Brooklyn, NY 11205
www.nanov.info
Tel: 877 408-9944 Fax: 866 431-7242