

GENERAL SPECIFICATIONS

The *Traditional Series* circulation desk is designed to provide the maximum amount of uninterrupted continuous work surface.

CONSTRUCTION AND MATERIALS

Each desk unit will be constructed from 3/4" thick, 7-ply veneer core plywood, with plain-sliced face veneers. Front panels will be matched for color and grain characteristics to give the appearance of a continuous front across the entire desk arrangement. All visible panel edges will be banded with 1/4" thick eased matching hardwood. To further enhance the continuous look, each unit is constructed with a 4" high x 3" deep, laminate toe space.

All desk units and finished end panels are separated by a 1/4" T black reveal panel, inset 3/4" from each desk face. Desk units will be connected using four 5/16"-18 connector bolt assemblies, which pass through each unit end panel and reveal to fasten each unit together.

Each terminating end of a given desk arrangement is supplied with a finished end panel which will be connected to the desk with hidden inserts and connector bolts. Finished end panels will also receive an ebonized laminate toe kick to anchor the continuous appeal.

All doors, adjustable shelves, and drawer fronts will be constructed from 3/4" thick, 7-ply veneer core plywood with plain-sliced veneers. Shelves will be on no greater than 2" centers supported by 1/4" shelf pins. All edges will be banded with 1/4" thick eased matching hardwood.

Each drawer box will be of English dovetail design and will be constructed using 1/2" thick solid northern grown red oak with a 1/4" thick veneer core plywood bottom. Box drawers will be 14-7/8"W x 18"D x 5-1/4"H. File drawers will be 14-7/8"W x 18"D x 10-1/2"H. Double width drawers will be 31-1/2"W x 18"D x 5-1/4"H.

Each continuous top is custom made to fit the desired desk arrangement. All tops will be fabricated in the longest lengths possible (12-foot maximum) to eliminate unnecessary seams in the completed top. Tops will be joined at all seams with solid wood biscuits and tight-

joint fasteners, then screw-attached to the desk from the underside.

Continuous tops will be 1-1/4" thick and will be constructed from 1-1/8" thick particleboard with .050" high-pressure laminate on the face with .020" backer sheet on the underside of the top. The staff side of the top will be internally banded with 1/4" thick solid red oak edgeband, and will overhang the face of the end panel a total of 1-1/8". The patron side of the top will be banded per customer specification, and will overhang the face of the front panel 1-1/8". **SEE PAGE 38 FOR EDGE DETAILS**

HARDWARE

All drawers will be constructed to an overall depth of 18" and will be mounted on 18" full-extension, ball bearing glides with a load rating of 100 pounds per pair. Desks where locks are provided or ordered, locks will be keyed identically.

All doors will be hung with 110-degree opening, self-closing Salice hinges (180-degree available if specified) and Salice Smove (tm) door cushion. Pulls for both doors and drawers will be satin chrome 5/16" diameter wire pulls. Substitutions may be made at customer's request. (Up-charge may apply)

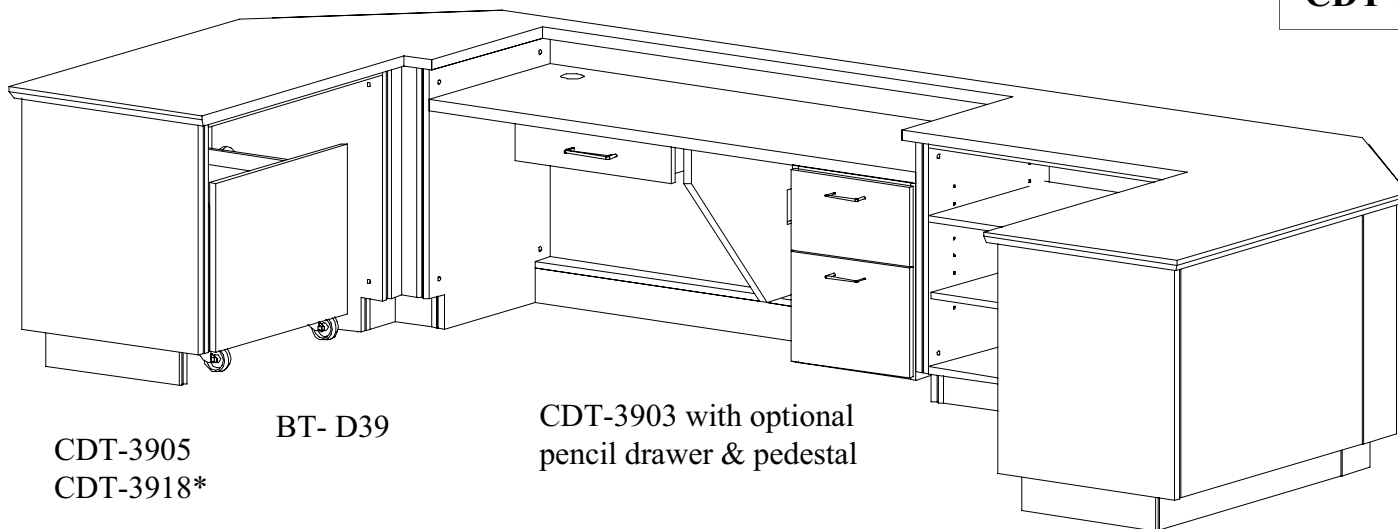
File drawers will be supplied with installed file racks for both letter and legal file folders.

All units are supplied with 3" diameter end panel grommets and J-channel wire manager to facilitate concealed wire passage between units in a range. Units with dropped work surfaces will be supplied with 3" grommets through the work surface.

FINISH: See page 5 for finish specifications.

Visit our website at www.russwood.net

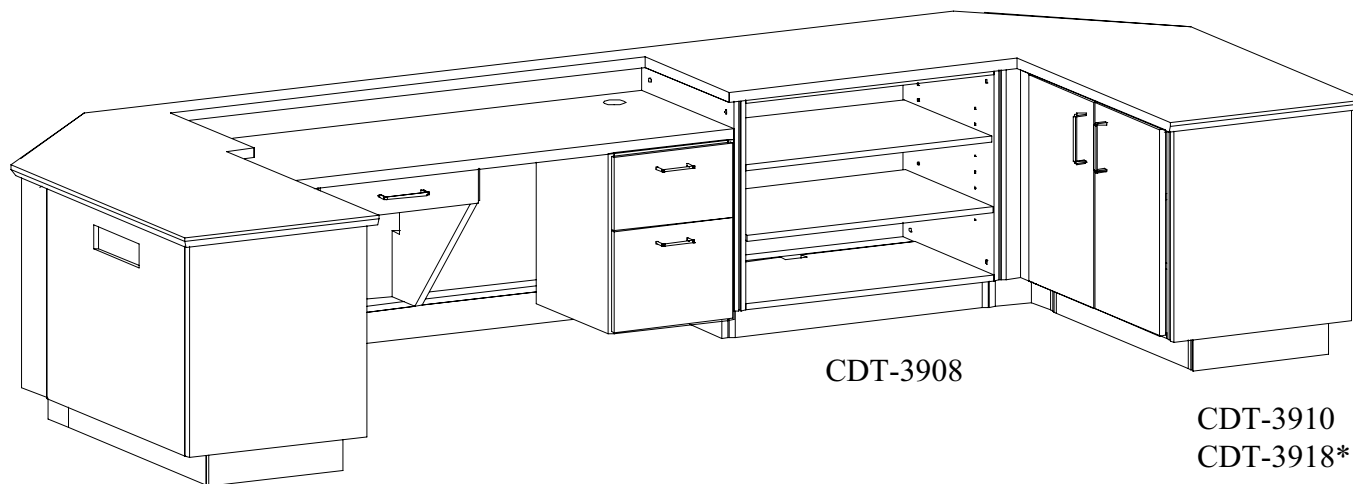
CDT-1



CDT-3905
CDT-3918*

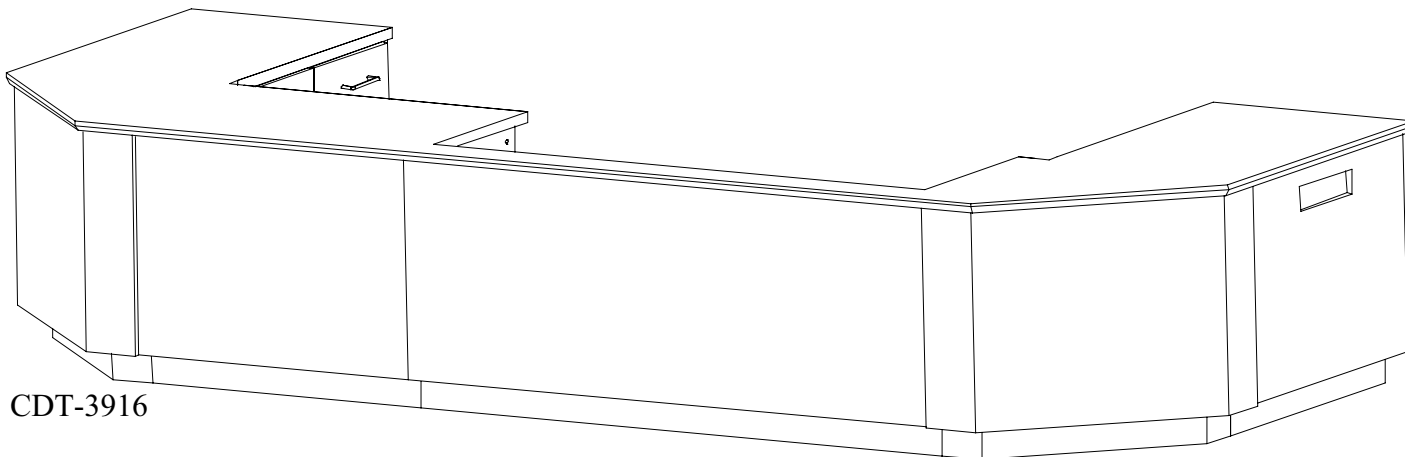
BT- D39

CDT-3903 with optional
pencil drawer & pedestal



CDT-3908

CDT-3910
CDT-3918*

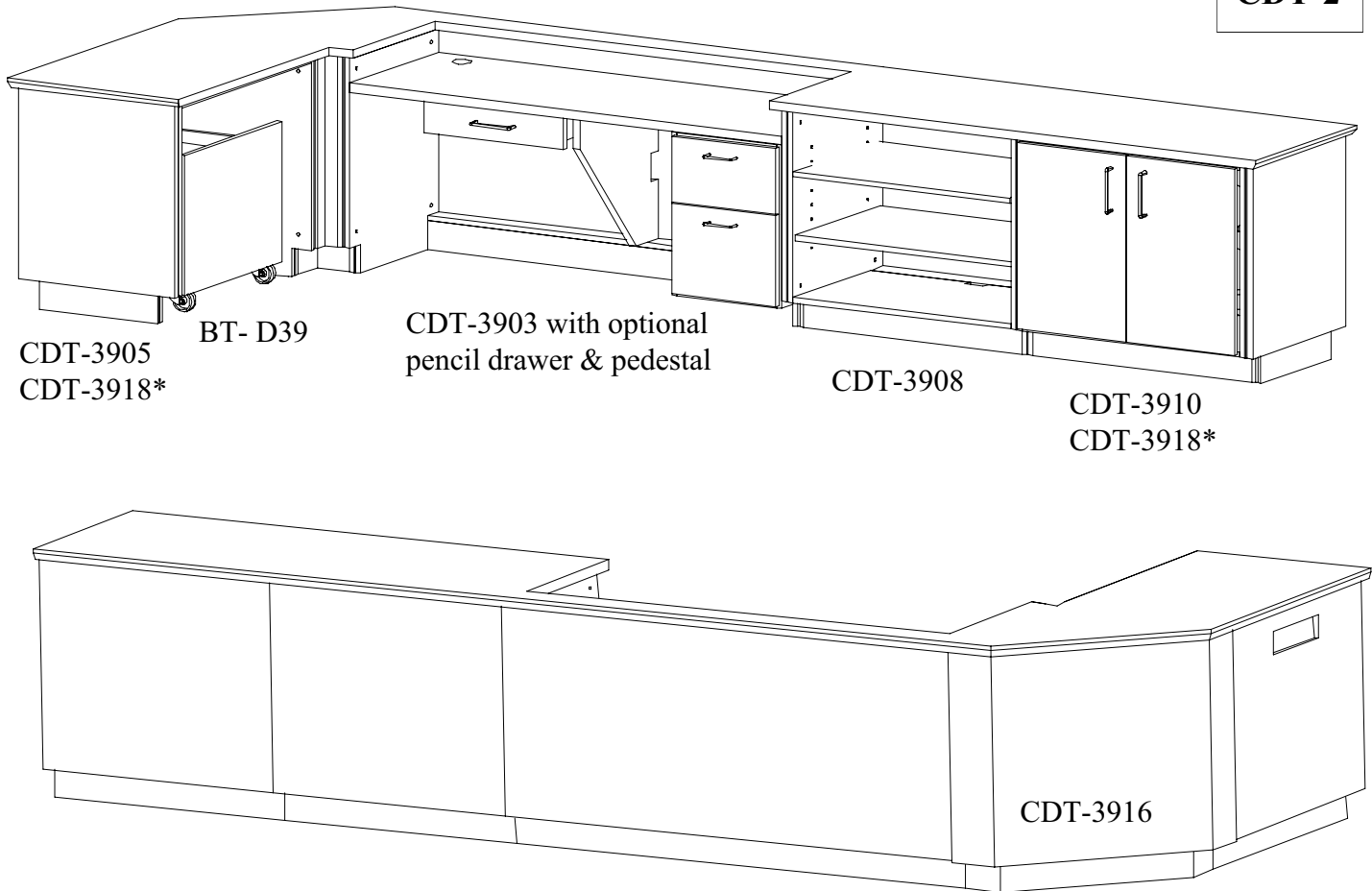


CDT-3916

CDT-3916

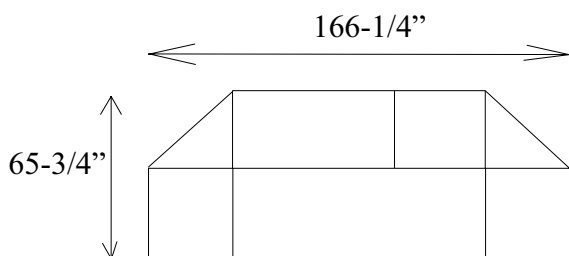
*finished end-panel

CDT-2

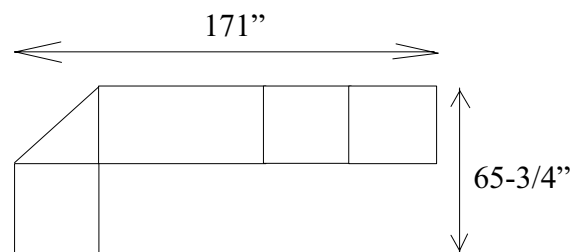


The *Traditional Series* circulation desks feature a work surface that is constructed in one continuous piece & permanently fastened to the service units.

The service units shown are featured as our most popular units in this series. These popular units are a book return with depressible truck, a corner unit, a double patron unit with an optional pencil drawer and pedestal, an open shelf unit, and a cupboard unit. When arranged the desks form either in a “U” shape or a “L” shape depending on the total number of service units ordered. If you desire a service unit that is not shown here then you can choose from the many others that follow. Even though tops are fixed - service units (except the patron desks) of the same size can unbolting, rearranged and re-bolting.



Extended depth footprint 169-3/4”L x 68-3/4”W

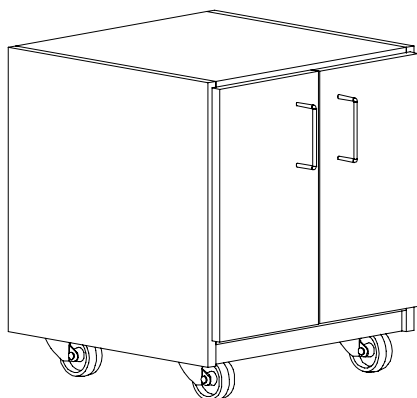


Extended depth footprint 174-3/4”L x 68-3/4”W

For the ultimate in versatility...

Combine any of our desk units in this series with any of the following mobile units.

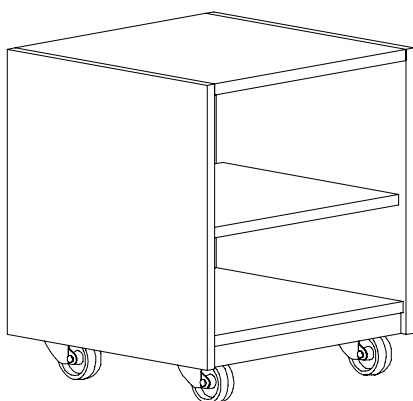
Combining mobile units and desk units allows you to change the function of any of your circulation desk work stations at a moment's notice. Units with permanent features can be used with desks that use mobile units.



Mobile Cupboard Unit

This unit is supplied with two (2) shelves for the adult height and one (1) shelf for the elementary height. The back is supplied with grommets for wire management.

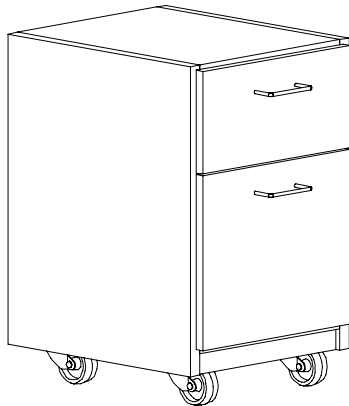
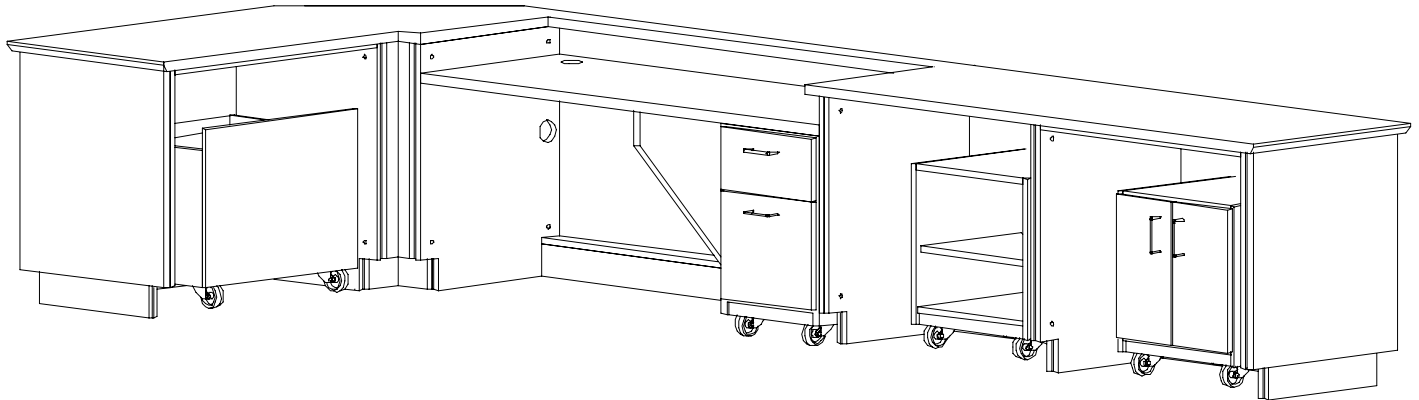
Catalog #	Description	Height"	Width"	Depth"	Price
A-27	Elementary height	26	25	20	
A-28	Adult height	36	25	20	



Mobile Open Shelf Unit

This unit is supplied with two (2) shelves for the adult height and one (1) shelf for the elementary height. The back is supplied with grommets for wire management.

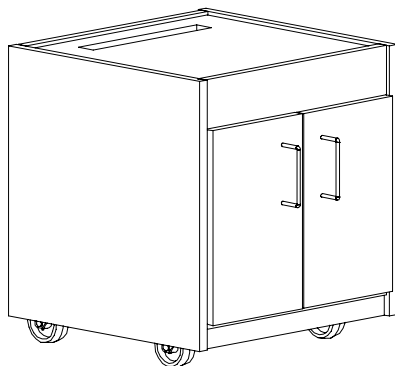
Catalog #	Description	Height"	Width"	Depth"	Price
A-29	Elementary height	26	25	20	
A-30	Adult height	30	25	20	



Mobile File Cabinet

The elementary height unit is supplied with (1) box and (1) file drawer. The intermediate height unit is supplied with (2) boxes and (1) file. The adult height unit is supplied with (1) box drawer and (2) file drawers. The box drawer is 14-7/8”W x 18”D x 5-1/4”H. The file drawer is 14-7/8”W x 18”D x 10-1/2”H. The unit is counterbalanced so that it does not tip over under normal use when the file drawer is opened.

Catalog #	Description	Height"	Width"	Depth"	Price
A-23	Elementary height	25	17	19	
A-23A	Intermediate height	31	17	19	
A-23B	Adult height	36	17	19	



Mobile Printer Stand

Unit end panels are constructed of 1”T red oak veneer plywood. All other components are constructed with 3/4”T red oak veneer plywood. Unit is supplied with one (1) adjustable shelf and one (1) base shelf. The shelf is 22-134”W x 17”D x 3/4”T. Adj. Shelf is notched for wiring management. All exposed edges are edgebanded with 1/4”T solid red oak. Doors have satin chrome pulls. The bottom is supplied with a grommet for wire management. Wheels are 210 lbs rated ball-bearing swivel casters. The top is removable and is slotted for printer paper.

Catalog #	Description	Height"	Width"	Depth"	Price
A-24	Universal height	21	21	19	

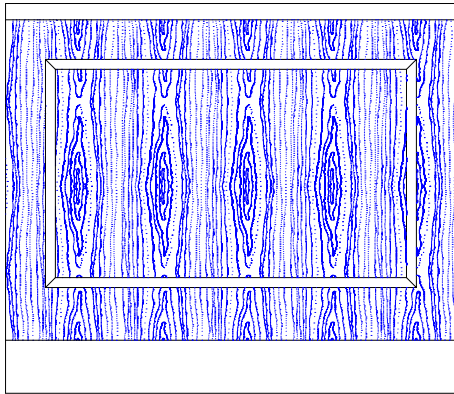
Traditional Series Trim Packages

These trim packages for the Traditional Series give you a wide range of design and cost options.

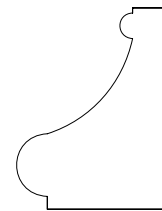
Ordering a trim package is simple.

1. Select the Traditional service units you desire in your circulation desk arrangement.
2. Determine the total number of single width or small corner units, multiply by selected package upcharge.
3. Determine the total number of double or larger corner units, multiply by selected package upcharge.
4. Add the total single and double widths to determine the total trim package upcharge.

NOTE: The Quantum and Regal packages are not available on radius corner desk or service units.

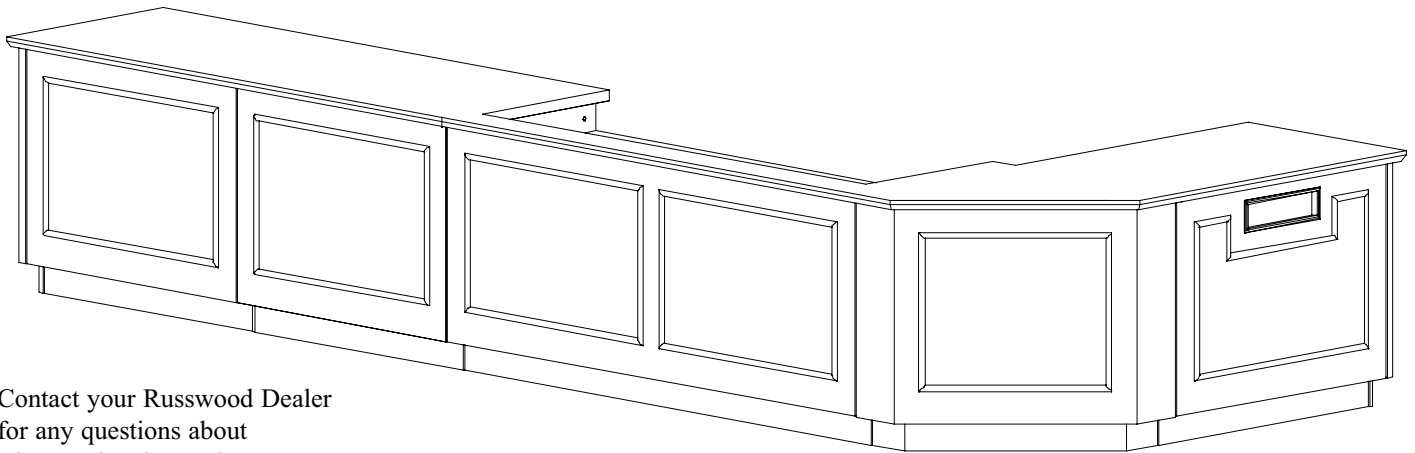


Quadrum TM



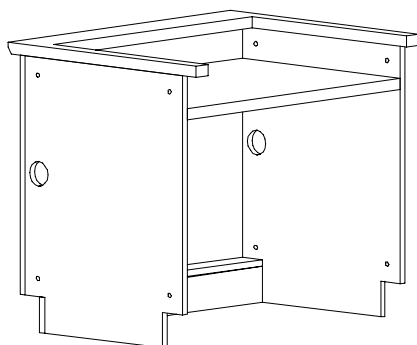
Regal TM

The Quadrum and Regal packages can be applied to any flat modesty panel or end panel. The treatment forms a rectangle that is about 3" from all edges. The trim package comes with the choice of two moldings. The edge details of these two moldings can be seen below. On 36"L circulation desks the modesty panels receives one such rectangle while a 72"L unit would receive two such rectangles NOTE: The Quadrum and Regal packages are not available on radiused desk or corner units.



Contact your Russwood Dealer
for any questions about
Circ. Desk Trim Packages.

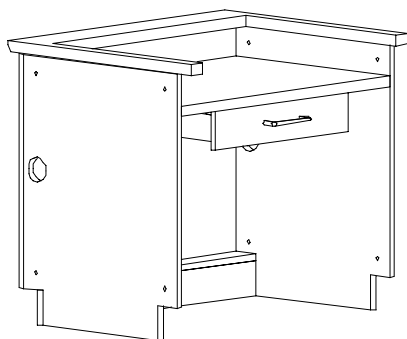
Catalog #	Description	Single W" unit upcharge	Double "W unit upcharge \$
QDT-1	Quadrum Trim Package for Traditional Series		
RGT-1	Regal Trim Package for Traditional Series		
	To figure upcharge:	# Single units (x) upcharge per unit =	
		# Double units (x) upcharge per unit = +	
		Total upcharge \$	



Patron Desk Unit

Each unit will have a recessed work surface measuring 34-1/2"W x 24"D, fastened with metal cleats and screws (work surface height of 29"). Work surface grommet, centered along length unless otherwise specified. The exposed edge of the recessed work surface will have a 1/4" thick, solid wood, internal edgeband. Extended depth units have work surface measuring 34-1/2"W x 27"D.

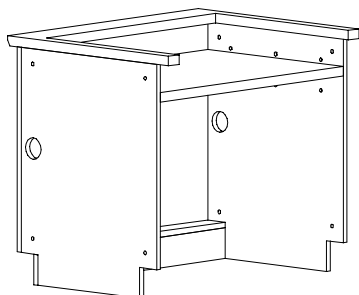
Catalog #	Description	Height"	Width"	Depth"	Price
CDT-3202	Elementary height, standard depth	32	36	27	
CDT-3202E	Elementary height, extended depth	32	36	30	
CDT-3902	Adult height, standard depth	39	36	27	
CDT-3902E	Adult height, extended depth	39	36	30	



Patron Desk Unit with Pencil Drawer

Each unit will have a recessed work surface measuring 34-1/2"W x 24"D, fastened with metal cleats and screws to provide an adult work surface height of 29". This unit is supplied with a work surface grommet, centered along the width unless otherwise specified. The pencil drawer is 18"W x 5-1/4"H x 14-7/8"D and centered under the work surface. Extended depth units will have a work surface measuring 34-1/2"W x 27"D.

Catalog #	Description	Height"	Width"	Depth"	Price
CDT-32353	Elementary height, standard depth	32	36	27	
CDT-3235E	Elementary height, extended depth	32	36	30	
CDT-3935	Adult height, standard depth	39	36	27	
CDT-3935E	Adult height, extended depth	39	36	30	

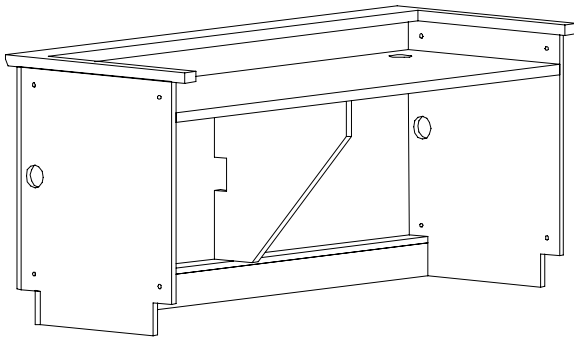


Patron Desk with adjustable work surface

Each unit will have a recessed work surface measuring 34-1/2"W x 24"D, fastened with metal cleats and threaded inserts. The work surface is adjustable to accommodate a variety of possible needs. On the adult height unit, the work surface possibilities are 27"H, 29"H, and 32"H. On the elementary height unit, the work surface possibilities are 27"H, and 29"H.

Catalog #	Description	Height"	Width"	Depth"	Price
CDT-3248	Elementary height, standard depth	32	36	27	
CDT-3248E	Elementary height, extended depth	32	36	30	
CDT-3948	Adult height, standard depth	39	36	27	
CDT-3948E	Adult height, extended depth	39	36	30	

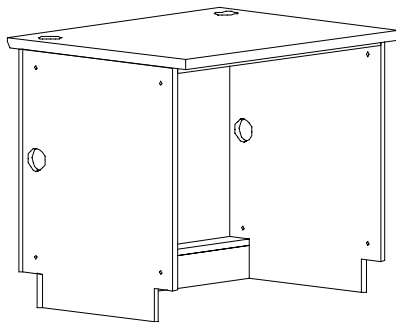
Circulation Desks



Double-Width Patron Desk Unit

Each unit will have a recessed work surface measuring 68-1/2"L x 24"D, fastened with metal cleats and screws to provide an adult work surface height of 29"H. This unit is supplied with two (2) work surface grommets located toward each end unless otherwise specified. The exposed edge of the recessed work surface will receive a 1/4" thick, solid wood, internal edgeband. The work surface will be supported at midspan with a 1" thick stiffknee that rests on top of the toe board. Extended depth units will have a work surface measuring 68-1/2"W x 27"D.

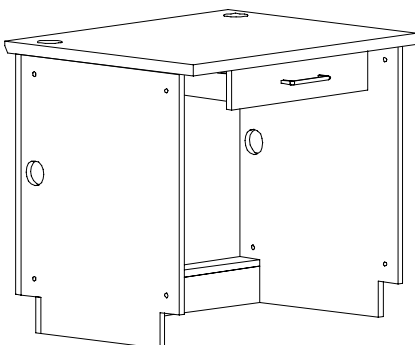
Catalog #	Description	Height"	Width"	Depth"	Price
CDT-3203	Elementary height, standard depth	32	70	27	
CDT-3203E	Elementary height, extended depth	32	70	30	
CDT-3903	Adult height, standard depth	39	70	27	
CDT-3903E	Adult height, extended depth	39	70	30	



Desk Unit

Each unit will have inside dimensions of 34-1/2"W x 24"D. If requested, work surface grommets are located along the patron edge toward each end.

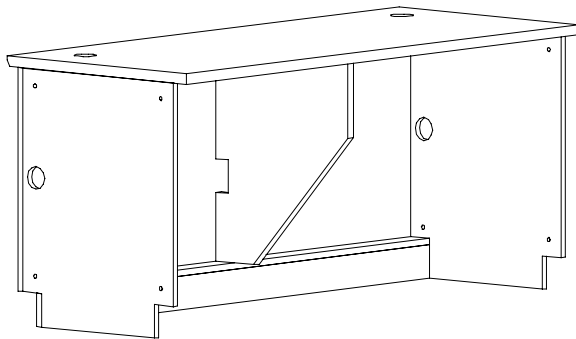
Catalog #	Description	Height"	Width"	Depth"	Price
CDT-3234	Elementary height, standard depth	32	36	27	
CDT-3234E	Elementary height, extended depth	32	36	30	
CDT-3934	Adult height, standard depth	39	36	27	
CDT-3934E	Adult height, extended depth	39	36	30	



Desk Unit with Pencil Drawer

Each unit will have inside dimensions of 34-1/2"W x 24"D. If requested, work surface grommets are located along the patron edge toward each end. Pencil drawer is 18"W x 3"H x 14-7/8"D and centered under the work surface.

Catalog #	Description	Height"	Width"	Depth"	Price
CDT-3247	Elementary height, standard depth	32	36	27	
CDT-3247E	Elementary height, extended depth	32	36	30	
CDT-3947	Adult height, standard depth	39	36	27	
CDT-3947E	Adult height, extended depth	39	36	30	



Double Width Desk Unit

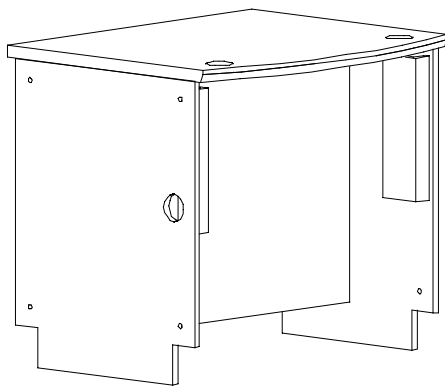
Each unit will have inside dimensions of 68-1/2"W x 24"D. If requested, work surface grommets are located toward each end and along the back edge unless otherwise specified.

Catalog #	Description	Height"	Width"	Depth"	Price
CDT-3253	Elementary height, standard depth	32	70	27	
CDT-3253E	Elementary height, extended depth	32	70	30	
CDT-3953	Adult height, standard depth	39	70	27	
CDT-3953E	Adult height, extended depth	39	70	30	

ADA Transaction Unit

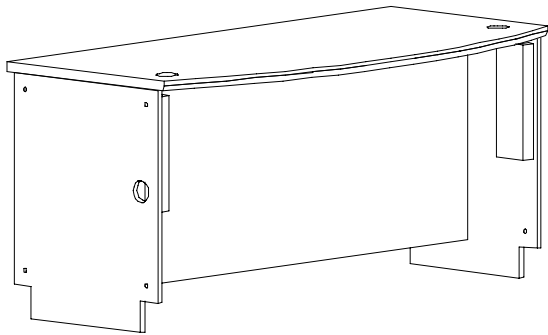
Adult-height units will have a 36"W x 36"D work surface mounted at 32"H (both heights) and modesty panel mounted along unit midline. Elementary-height units will have a continuous work surface that extends to 36"D along unit width and modesty panel mounted along unit midline. This unit is supplied with two (2) work surface grommets located at each end unless otherwise specified. Wire chases are provided to conceal wires.

Note, when the adult version is used between two other adult units, the resulting effect will be a captured top. When the adult version is used on one end of the circulation desk, an *elementary finished end panel* should be ordered for that end. This unit is supplied with two work surface grommets located each end of the unit unless otherwise specified.



Catalog #	Description	Height"	Width"	Depth"	Price
CDT-3220	Elementary height, standard depth	32	36	36	
CDT-3220E	Elementary height, extended depth	32	36	36	
CDT-3920	Adult height, standard depth	32	36	36	
CDT-3920E	Adult height, extended depth	32	36	36	

“It is the mark of an educated mind to be able to entertain a thought without accepting it.” Aristotle

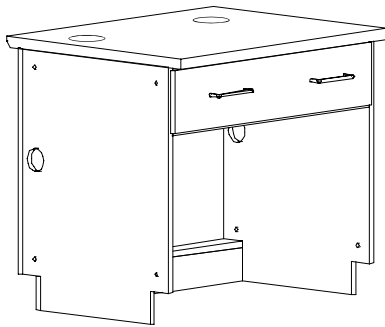


Double-Width ADA Transaction Unit

Adult-height units will have a 70"W x 36"D captured work surface mounted at 32"H and modesty panel mounted along unit midline. Elementary-height units will have a continuous work surface that extends to 36"D along unit width and modesty panel mounted along unit midline. This unit is supplied with two (2) work surface grommets located at each end unless otherwise specified.

Note, when the adult version is used between two other adult units, the resulting effect will be a captured top. When the adult version is used on one end of the circulation desk, an *elementary finished end panel* should be ordered for that end. This unit is supplied with two work surface grommets located each end of the unit unless otherwise specified.

Catalog #	Description	Height"	Width"	Depth"	Price
CDT-3221	Elementary height, standard depth	32	70	36	
CDT-3221E	Elementary height, extended depth	32	70	36	
CDT-3921	Adult height, standard depth	32	70	36	
CDT-3921E	Adult height, extended depth	32	70	36	

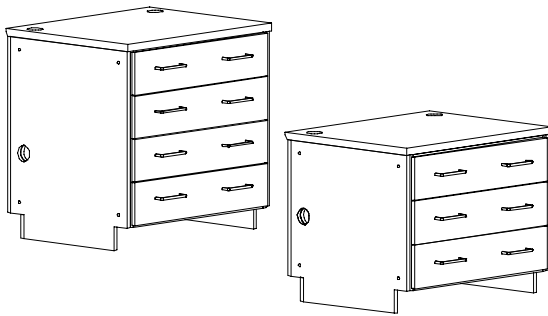


Single Drawer Knee Space Unit

If requested, work surface grommets are located toward each end and along the back edge unless otherwise specified. Each unit will have a full-width drawer measuring 33-1/2"W x 18"D x 5-1/4"H.

Catalog #	Description	Height"	Width"	Depth"	Price
CDT-3236	Elementary height, standard depth	32	36	27	
CDT-3236E	Elementary height, extended depth	32	36	30	
CDT-3936	Adult height, standard dept	39	36	27	
CDT-3936E	Adult height, extended depth	39	36	30	

“An educated person is one who has learned that information almost always turns out to be at best incomplete...”
Russell Baker

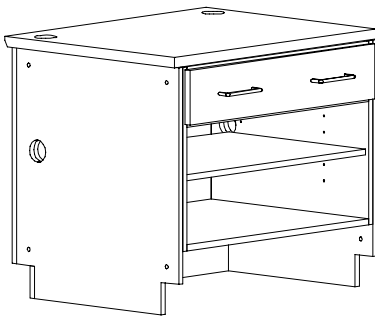


Shown Adult & Elementary

Single Drawer Stack Unit

Each unit will consist of a stack of full width drawers measuring 33-1/2"W x 18"D x 5-1/4"H. The adult height unit will be supplied with four (4) drawers and the elementary unit will be supplied with three (3) drawers. If requested, work surface grommets are located along the patron edge toward each end.

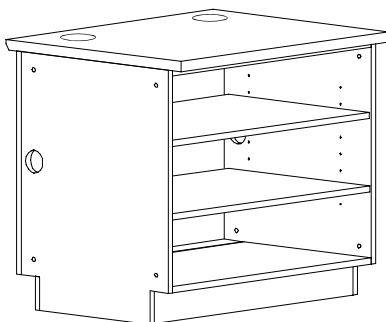
Catalog #	Description	Height"	Width"	Depth"	Price
CDT-3222	Elementary height, standard depth	32	36	27	
CDT-3222E	Elementary height, standard depth	32	36	30	
CDT-3922	Adult height, standard depth	39	36	27	
CDT-3922E	Adult height, extended depth	39	36	30	



Single Drawer Open Shelf Unit

Each unit will consist a full width drawer measuring 33-1/2"W x 18"D x 5-1/4"H. Each unit will have (1) base shelf measuring 34-1/2"W x 23-13/16"D which is removable to provide wiring access for floor receptacles. Adjustable shelves will measure 34-1/4"W x 22"D, which provides a 3/4"D wiring access at the rear of the shelf, so as to not impede the shelf's free-adjustment. Adult-height units will be supplied with two (2) adjustable shelves and elementary-height units will be supplied with one (1) adjustable shelf. If requested, work surface grommets are located along the patron edge toward each end.

Catalog #	Description	Height"	Width"	Depth"	Price
CDT-3237	Elementary height, standard depth	32	36	27	
CDT-3237E	Elementary height, extended depth	32	36	30	
CDT-3937	Adult height, standard depth	39	36	27	
CDT-3937E	Adult height, extended depth	39	36	30	

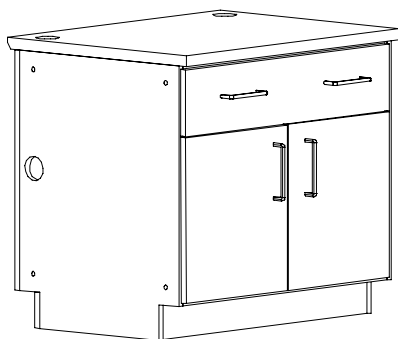


Open Shelf Unit

Each unit will be supplied with one removable (1) base shelf measuring 34-1/2"W x 23-13/16"D to provide wiring access for floor receptacles. Adjustable shelves will measure 34-1/4"W x 22"D, providing a 3/4"D wiring access at the rear of the shelf, so as to not impede the shelf's free-adjustment. Adult-height units will be supplied with two (2) adjustable shelves and elementary-height units will be supplied with one (1) adjustable shelf. If requested, work surface grommets are located along the patron edge toward each end.

Catalog #	Description	Height"	Width"	Depth"	Price
CDT-3208	Elementary height, standard depth	32	36	27	
CDT-3208E	Elementary height, extended depth	32	36	30	
CDT-3908	Adult height, standard depth	39	36	27	
CDT-3908E	Adult height, extended depth	39	36	30	

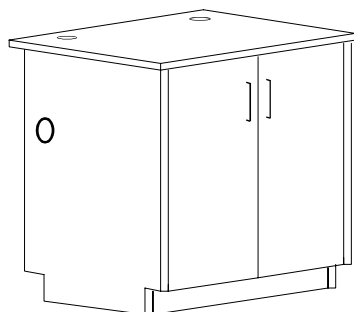
Circulation Desks



Single Drawer Cupboard Unit

Each unit will have a single drawer measuring 33-1/2"W x 18"D x 5-1/4"H under the work surface. A movable base shelf measuring 34-1/2"W x 23-13/16"D provides wiring access for floor receptacles. Adjustable shelves measure 34-1/4"W x 22"D, providing a 3/4"D wiring access at the rear of the shelf, so as to not impede the shelf's free-adjustment. Adult-height units will be supplied with 2 adjustable shelves and elementary-height units will be supplied with 1 adjustable shelf. Cupboard doors are secured with one lock unless otherwise specified. If requested, work surface grommets are located along the patron edge toward each end.

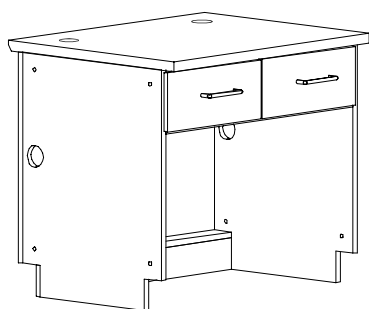
Catalog #	Description	Height"	Width"	Depth"	Price
CDT-3246	Elementary height, standard depth	32	36	27	
CDT-3246E	Elementary height, extended depth	32	36	30	
CDT-3946	Adult height, standard depth	39	36	27	
CDT-3946E	Adult height, extended depth	39	36	30	



Cupboard Unit

Each unit will be supplied with one (1) base shelf measuring 34-1/2"W x 23-13/16"D which is removable to provide wiring access for floor receptacles. Adjustable shelves will measure 34-1/4"W x 22"D, which provides a 3/4"D wiring access at the rear of the shelf, so as to not impede the shelf's free-adjustment. Adult-height units will be supplied with two (2) adjustable shelves and elementary-height units will be supplied with one (1) adjustable shelf. This unit is supplied with one (1) lock that locks both doors unless otherwise specified. If requested, work surface grommets are located along the patron edge toward each end.

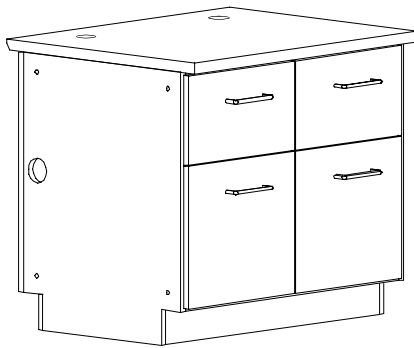
Catalog #	Description	Height"	Width"	Depth"	Price
CDT-3210	Elementary height, standard depth	32	36	27	
CDT-3210E	Elementary height, extended depth	32	36	30	
CDT-3910	Adult height, standard depth	39	36	27	
CDT-3910E	Adult height, extended depth	39	36	30	



Double Drawer Knee Space Unit

Each unit will have two (2) equal-width drawers measuring 14-7/8"W x 18"D x 5-1/4"H. This unit is supplied with one (1) lock on the right drawer unless otherwise specified. If requested, work surface grommets are located along the patron edge toward each end.

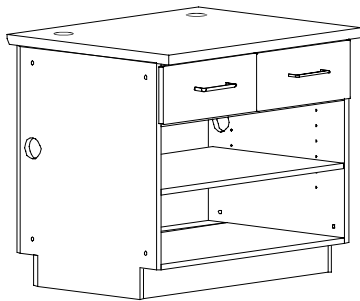
Catalog #	Description	Height"	Width"	Depth"	Price
CDT-3209	Elementary height, standard depth	32	36	27	
CDT-3209E	Elementary height, extended depth	32	36	30	
CDT-3909	Adult height, standard depth	39	36	27	
CDT-3909E	Adult height, extended depth	39	36	30	



Double Drawer Stack Unit

Each unit will have a double stack of equal-width drawers, configured according to height. Adult-height units will have four (4) file drawers measuring 14-7/8"W x 18"L x 10-1/2"H and two (2) box drawers measuring 14-7/8"W x 18"D x 5-1/4"H. Elementary-height units will have four (4) file drawers measuring 14-7/8"W x 18"D x 10-1/2"H. This unit is supplied with one (1) front-mounted lock on right drawer unless otherwise specified. If requested, work surface grommets are located along the patron edge toward each end.

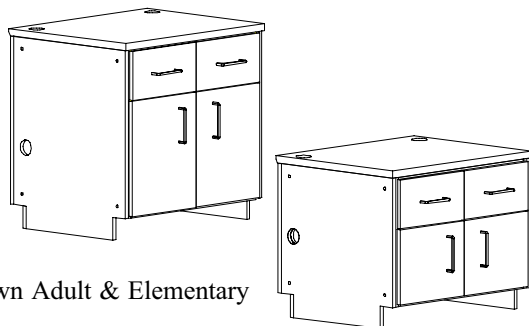
Catalog #	Description	Height"	Width"	Depth"	Price
CDT-3229	Elementary height, standard depth	32	36	27	
CDT-3229E	Elementary height, extended depth	32	36	30	
CDT-3929	Adult height, standard depth	39	36	27	
CDT-3929E	Adult height, extended depth	39	36	30	



Double Drawer Open Shelf Unit

Each unit will have (2) equal-width drawers measuring 14-7/8"W x 18"D x 5-1/4"H. Each unit will be supplied with one (1) base shelf measuring 34-1/2"W x 23-13/16"D which is removable to provide wiring access for floor receptacles. Each unit will also be supplied with one (1) adjustable shelf measuring 34-1/4"W x 22"D, which provides a 3/4"D wiring access at the rear of the shelf, so as to not impede the shelf's free-adjustment. Also, this unit is supplied with one (1) lock on the right drawer unless otherwise specified. If requested, work surface grommets are located along the patron edge toward each end.

Catalog #	Description	Height"	Width"	Depth"	Price
CDT-3207	Elementary height, standard depth	32	36	27	
CDT-3207E	Elementary height, extended depth	32	36	30	
CDT-3907	Adult height, standard depth	39	36	27	
CDT-3907E	Adult height, extended depth	39	36	30	



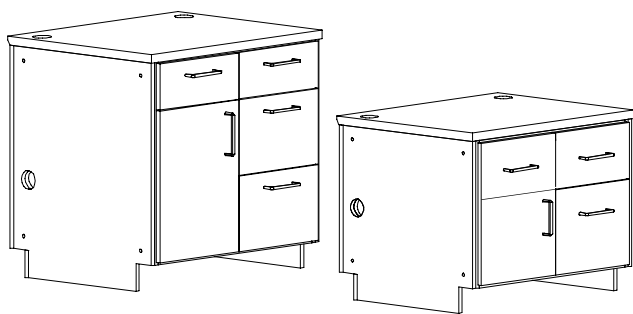
Shown Adult & Elementary

Double Drawer Cupboard Unit

Each unit will have two equal measure drawers 14-7/8"W x 18"D x 5-1/4"H. One removable base shelf measuring 34-1/2"W x 23-15/16"D provides wiring access for floor receptacles. Adjustable shelves will measure 34-1/2"W x 22"D, providing 3/4"D wiring access at the rear of the shelf, so as to not impede the shelf's free-adjustment. Adult-height units will be supplied with two (2) adj. shelves and elementary-height units will be supplied with one (1) adjustable shelf. This unit is supplied with one (1) lock on right drawer unless otherwise specified. If requested, work surface grommets are located along the patron edge toward each end.

Catalog #	Description	Height"	Width"	Depth"	Price
CDT-3238	Elementary height, standard depth	32	36	27	
CDT-3238E	Elementary height, extended depth	32	36	30	
CDT-3938	Adult height, standard depth	39	36	27	
CDT-3938E	Adult height, extended depth	39	36	30	

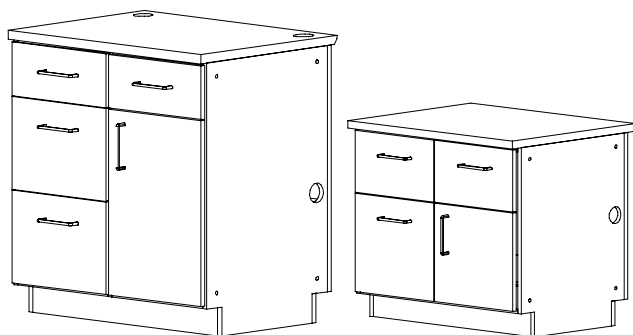
Circulation Desks



Double Drawer, *Left* Cupboard & File Unit

Each adult height unit will have 2 box drawers, 2 file drawers and 2 adjustable shelves. Elementary height units have 2 box drawers, 1 file drawer and 1 adjustable shelf. The top drawers and cupboard door will have a lock. The box drawers are 14-7/8"W x 18"D x 5-1/4"H. The file drawers are 14-7/8"W x 18"D x 10-1/2"H. Cupboard left side, File Drawers on right. If requested, work surface grommets are located along the patron edge toward each end.

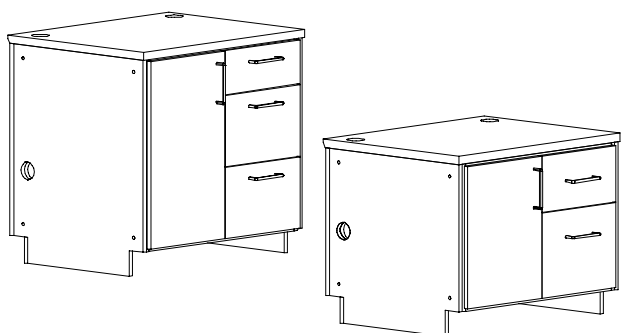
Catalog #	Description	Height"	Width"	Depth"	Price
CDT-3241	Elementary height, standard depth	32	36	27	
CDT-3241E	Elementary height, extended depth	32	36	30	
CDT-3941	Adult height, standard depth	39	36	27	
CDT-3941E	Adult height, extended depth	39	36	30	



Double Drawer, *Right* Cupboard & File Unit

Each adult height unit will have 2 box drawers, 2 file drawers and 2 adjustable shelves. Elementary height units have 2 box drawers, 1 file drawer and 1 adjustable shelf. The top drawers and cupboard door will have a lock. The box drawers are 14-7/8"W x 18"D x 5-1/4"H. The file drawers are 14-7/8"W x 18"D x 10-1/2"H. Cupboard on right side file drawers on left side. If requested, work surface grommets are located along the patron edge toward each end.

Catalog #	Description	Height"	Width"	Depth"	Price
CDT-3254	Elementary height, standard depth	32	36	27	
CDT-3254E	Elementary height, extended depth	32	36	30	
CDT-3954	Adult height, standard depth	39	36	27	
CDT-3954E	Adult height, extended depth	39	36	30	

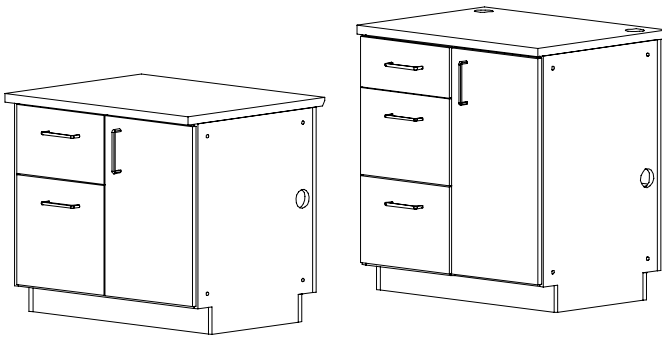


File Drawer *Left* Cupboard Unit

Each adult height unit will have two (2) file drawers, one (1) box drawer, and two (2) adjustable shelves. Elementary height units have one (1) box drawer, one (1) file drawer and one (1) adjustable shelf. The top drawer and cupboard door will receive a lock. The box drawers are 14-7/8"W x 5-1/4"H x 18"D. The file drawers are 14-7/8"W x 18"D x 10-1/2"H. The drawer tack will be on the right side and the cupboard unit will be on the left side. If requested, work surface grommets are located along the patron edge toward each end.

Catalog #	Description	Height"	Width"	Depth"	Price
CDT-3240	Elementary height, standard depth	32	36	27	
CDT-3240E	Elementary height, extended depth	32	36	30	
CDT-3940	Adult height, standard depth	39	36	27	
CDT-3940E	Adult height, extended depth	39	36	30	

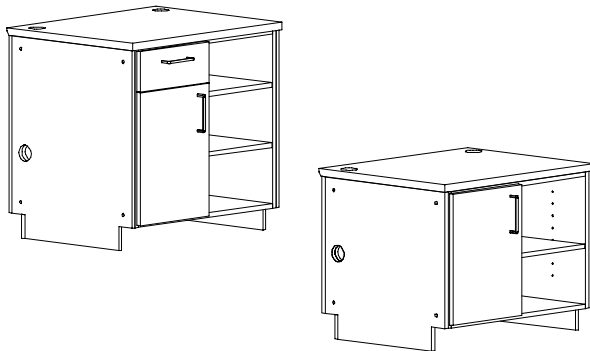
Shown Adult & Elementary



File Drawer Right Cupboard Unit

Each adult height unit will have one (1) box drawer, two (2) file drawers and two (2) adjustable shelves. Elementary height units have one (1) box drawer, one (1) file drawer and one (1) adjustable shelf. The top drawer and cupboard door will receive a lock. The box drawers are 14-7/8"W x 18"D x 5-1/4"H. The file drawers are 14-7/8"W x 18"D x 10-1/2"H. The drawer stack will be on the left side, the cupboard unit on the right side. If requested, work surface grommets are located along the patron edge toward each end.

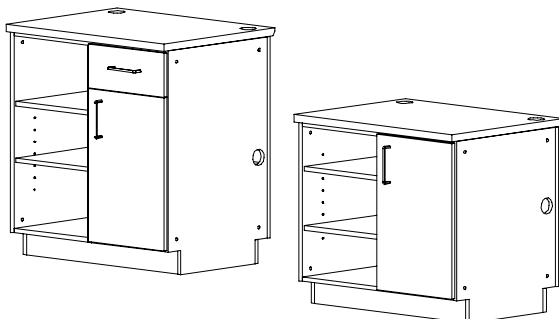
Catalog #	Description	Height"	Width"	Depth"	Price
CDT-3239	Elementary height, standard depth	32	36	27	
CDT-3239E	Elementary height, extended depth	32	36	30	
CDT-3939	Adult height, standard depth	39	36	27	
CDT-3939E	Adult height, extended depth	39	36	30	



Left Cupboard Open Shelf Unit

On the left side, the adult unit will be supplied with a locking box drawer and a cupboard space with two (2) adjustable shelves, and the elementary unit will only be supplied with a left cupboard unit with one (1) adjustable shelf. The right side of the unit will be open adjustable shelving. The adult height unit will be supplied with two (2) adjustable shelves, and the elementary height unit will be supplied with one (1) adjustable shelf. Adult unit box drawer is 14-7/8"W x 18"D x 5-1/4"H. If requested, work surface grommets are located along the patron edge toward each end.

Catalog #	Description	Height"	Width"	Depth"	Price
CDT-3242	Elementary height, standard depth	32	36	27	
CDT-3242E	Elementary height, extended depth	32	36	30	
CDT-3942	Adult height, standard depth	39	36	27	
CDT-3942E	Adult height, extended depth	39	36	30	



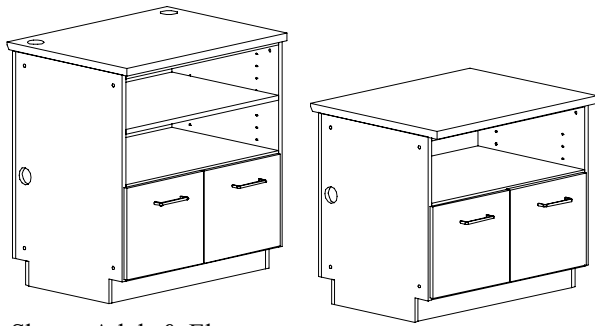
Right Cupboard Open Shelf Unit

On the right side, the adult unit will be supplied with a locking box drawer and a cupboard space with two (2) adjustable shelves and the elementary unit will only be supplied with only a cupboard unit with one (1) adjustable shelf. The left side of the unit will be open adjustable shelving. The adult height unit will be supplied with two (2) adjustable shelves, and the elementary height unit will be supplied with one (1) adjustable shelf. Adult unit box drawer is a 14-7/8"W x 18"D x 5-1/4"H. If requested, work surface grommets are located along the patron edge toward each end.

Catalog #	Description	Height"	Width"	Depth"	Price
CDT-3243	Elementary height, standard depth	32	36	27	
CDT-3243E	Elementary height, extended depth	32	36	30	
CDT-3943	Adult height, standard depth	39	36	27	
CDT-3943E	Adult height, extended depth	39	36	30	

Shown Adult & Elementary

Circulation Desks

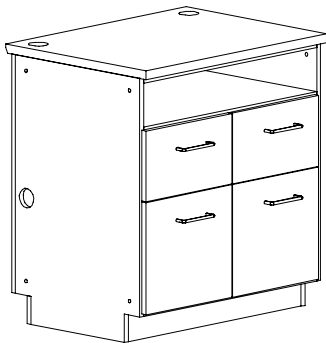


Shown Adult & Elementary

Two-Drawer File Open Top Shelf Unit

Each unit has two equal-width file drawers measuring 14-7/8”W x 18”D x 10-1/2”H . Each unit will be supplied with one (1) fixed shelf measuring 34-1/2”W x 24”D. Adjustable shelves will measure 34-1/2”W x 22”D, which provides a 3/4”D wiring access at the rear of the shelf, so as to not impede the shelf’s free-adjustment. Adult-height units will be supplied with one (1) adjustable shelf and elementary-height units will not be supplied with an adjustable shelf. If requested, work surface grommets are located along the patron edge toward each end.

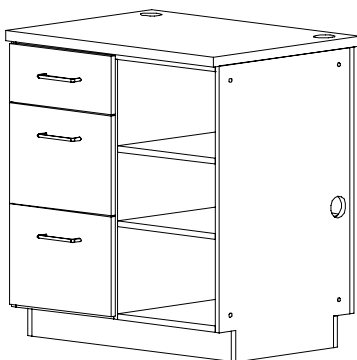
Catalog #	Description	Height"	Width"	Depth"	Price
CDT-3214	Elementary height, standard depth	32	36	27	
CDT-3214E	Elementary height, extended depth	32	36	30	
CDT-3914	Adult height, standard depth	39	36	27	
CDT-3914E	Adult height, extended depth	39	36	30	



Four-Drawer File Open Top Shelf Unit

Each unit has four equal-width file drawers measuring 14-7/8”W x 18”D x 10-1/2”H. Adult-height units are supplied with one (1) fixed shelf measuring 34-1/2”W x 24”D to provide open storage of materials. Elementary-height units will not have open storage compartment. If requested, work surface grommets are located along the patron edge toward each end.

Catalog #	Description	Height"	Width"	Depth"	Price
CDT-3215	Elementary height, standard depth	32	36	27	
CDT-3215E	Elementary height, extended depth	32	36	30	
CDT-3915	Adult height, standard depth	39	36	27	
CDT-3915E	Adult height, extended depth	39	36	30	

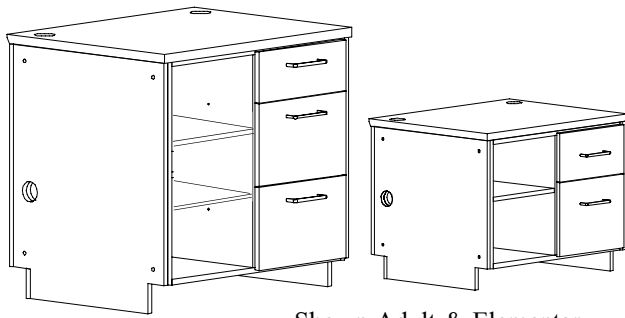


Shown Adult - see 3245 for elementary features

Left File Drawer Open Shelf Unit

Each adult height unit will have two (2) file drawers, one (1) box drawer, and two (2) adjustable shelves. Elementary height units will have one (1) box drawer, one (1) file drawer and one (1) adjustable shelf. The top drawer will receive a lock. The box drawers are 14-7/8”W x 5-1/4”H x 18”D. The file drawers are 14-7/8”W x 18”D x 10-1/2”H. The drawer stack will be on the left side and the open shelf will be on the right side. Adult unit box drawer is 14-7/8”W x 18”D x 5-1/4”H. If requested, work surface grommets are located along the patron edge toward each end.

Catalog #	Description	Height"	Width"	Depth"	Price
CDT-3244	Elementary height, standard depth	32	36	27	
CDT-3244E	Elementary height, extended depth	32	36	30	
CDT-3944	Adult height, standard depth	39	36	27	
CDT-3944E	Adult height, extended depth	39	36	30	

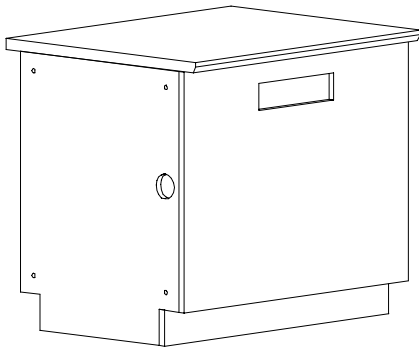


Shown Adult & Elementary

Right File Drawer Open Shelf Unit

Each adult height unit will have two (2) file drawers, one (1) box drawer, and two (2) adjustable shelves. Elementary height units will have one (1) box drawer, one (1) file drawer and one (1) adjustable shelf. The top drawer will receive a lock. The box drawers are 14-7/8"W x 18"D x 5-1/4"H. The file drawers are 14-7/8"W x 18"D x 10-1/2"H. The drawer stack will be on the right side and the open shelf will be on the left side. If requested, work surface grommets are located along the patron edge toward each end.

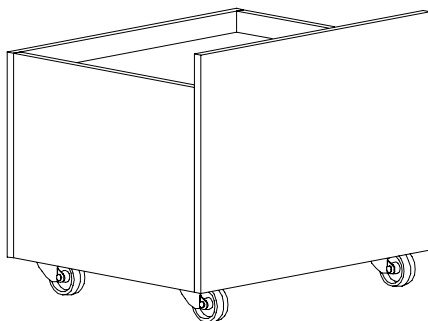
Catalog #	Description	Height"	Width"	Depth"	Price
CDT-3245	Elementary height, standard depth	32	36	27	
CDT-3245E	Elementary height, extended depth	32	36	30	
CDT-3945	Adult height, standard depth	39	36	27	
CDT-3945E	Adult height, extended depth	39	36	30	



Book Return Unit

Each unit will have an open-back design to allow insertion of a depressible book truck (BT-D39 for adult-height units or BT-D32 for elementary-height units). The front panel will have a 3"H x 12"W book-return slot, fully edgebanded, with an internal wood chute so as to allow gentle deposit of books into book truck. If requested, work surface grommets are located along the patron edge toward each end.

Catalog #	Description	Height"	Width"	Depth"	Price
CDT-3205	Elementary height, standard depth	32	36	27	
CDT-3205E	Elementary height, extended depth	32	36	30	
CDT-3905	Adult height, standard depth	39	36	27	
CDT-3905E	Adult height, extended depth	39	36	30	



Depressible Book Truck

Each unit will have a depressible platform that will hold approximately 70 books. Each unit will have four 3" swivel casters mounted directly to a 3/4"T red oak veneer plywood bottom using 5/16" dia bolts with are received on the top size of plywood via T-nuts.

Catalog #	Description	Height"	Width"	Depth"	Price
BT-D32	Elementary height	22	26	22	
BT-D39	Adult height	29	26	22	

Circulation Desks

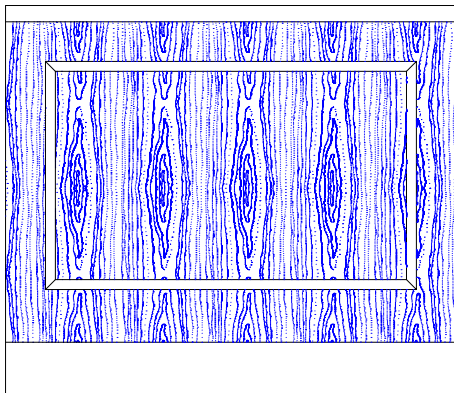
Traditional Series Trim Packages

These trim packages for the Traditional Series give you a wide range of design and cost options.

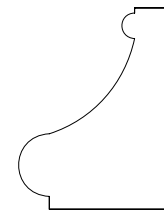
Ordering a trim package is simple.

1. Select the Traditional service units you desire in your circulation desk arrangement.
2. Determine the total number of single width or small corner units, multiply by selected package upcharge.
3. Determine the total number of double or larger corner units, multiply by selected package upcharge.
4. Add the total single and double widths to determine the total trim package upcharge.

NOTE: The Quantum and Regal packages are not available on radius corner desk or service units.

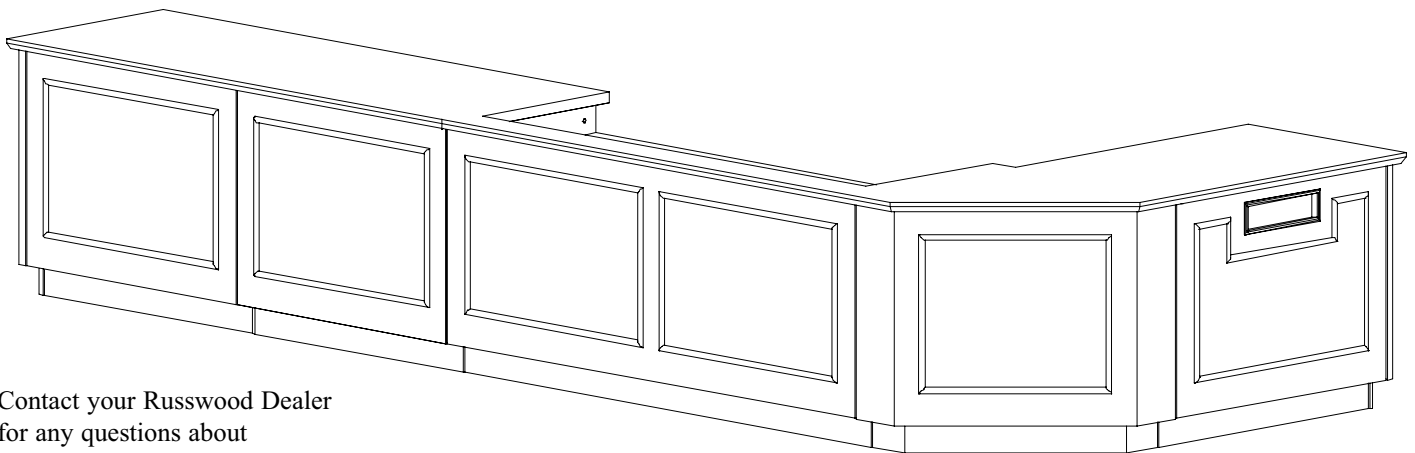


Quadrum™



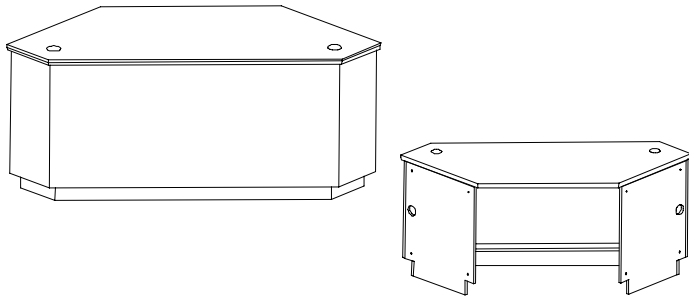
Regal™

The Quadrum and Regal packages can be applied to any flat modesty panel or end panel. The treatment forms a rectangle that is about 3" from all edges. The trim package comes with the choice of two moldings. The edge details of these two moldings can be seen below. On 36"L circulation desks the modesty panels receives one such rectangle while a 72"L unit would receive two such rectangles NOTE: The Quadrum and Regal packages are not available on radiused desk or corner units.



Contact your Russwood Dealer for any questions about Circ. Desk Trim Packages.

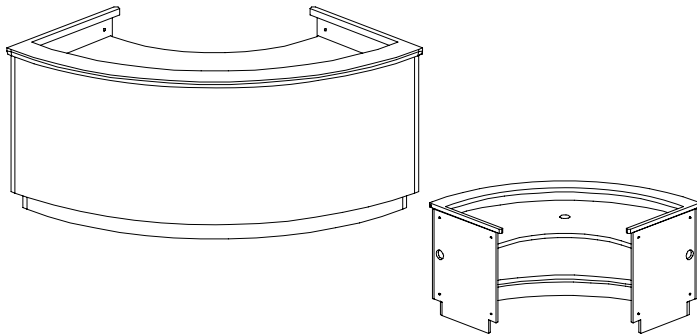
Catalog #	Description	Single W" unit upcharge	Double "W unit upcharge \$
QDT-1	Quadrum Trim Package for Traditional Series		
RGT-1	Regal Trim Package for Traditional Series		
	To figure upcharge:	# Single units (x) upcharge per unit =	
		# Double units (x) upcharge per unit = +	
		Total upcharge \$	



Corner Desk Unit

Each unit is designed to provide a 90-degree transition in any desk arrangement, while providing a corner work space. The working width for staff-side accessibility will be 35"W. If requested, this unit is supplied with two (2) work surface grommets located at each end unless otherwise specified.

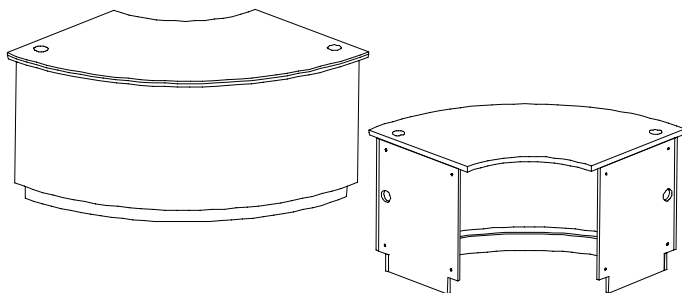
Catalog #	Description	Height"	Width"	Depth"	Price
CDT-3233	Elementary height, standard depth	32	72-5/8	27	
CDT-3233E	Elementary height, extended depth	32	76-15/16	30	
CDT-3933	Adult height, standard depth	39	72-5/8	27	
CDT-3933E	Adult height, extended depth	39	76-15/16	30	



90 Degree Patron Desk Unit

Each unit is designed to provide a radiused 90-degree transition in any desk arrangement, while providing a corner work space with a recessed work surface and patron ledge. The recessed work surface will be mounted at 29"H using metal cleats. The working width for staff-side accessibility will be 35"W. This unit is supplied with two (2) work surface grommets located at each end unless otherwise specified.

Catalog #	Description	Height"	Width"	Depth"	Price
CDT-3250	Elementary height, standard depth	32	72-5/8	27	
CDT-3250E	Elementary height, extended depth	32	76-15/16	30	
CDT-3950	Adult height, standard depth	39	72-5/8	27	
CDT-3950E	Adult height, extended depth	39	76-15/16	30	

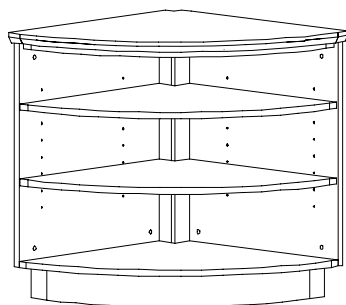


90 Degree Desk Unit

Each unit is designed to provide a radiused 90-degree transition in any desk arrangement, while providing a corner work space. The working width for staff-side accessibility will be 35"W. This unit is supplied with two (2) work surface grommets located at each end unless otherwise specified. If requested, work surface grommets are located along the patron edge toward each end.

Catalog #	Description	Height"	Width"	Depth"	Price
CDT-3251	Elementary height, standard depth	32	72-5/8	27	
CDT-3251E	Elementary height, extended depth	32	76-15/16	30	
CDT-3951	Adult height, standard depth	39	72-5/8	27	
CDT-3951E	Adult height, extended depth	39	76-15/16	30	

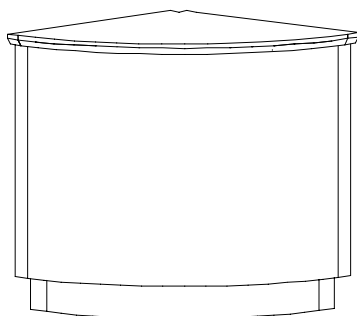
Circulation Desks



Radiused 90 Degree Open Shelf Corner Unit

Each unit will be triangular, with a radiused, open-face design and will be used to form a 90-degree transition in any desk arrangement. Adult height units will be supplied with two (2) adjustable shelves. Elementary height units will be supplied with one (1) adjustable shelf. Open shelf corner units do not provide for wire access. Shelves will be accessible from patron side of circulation desk.

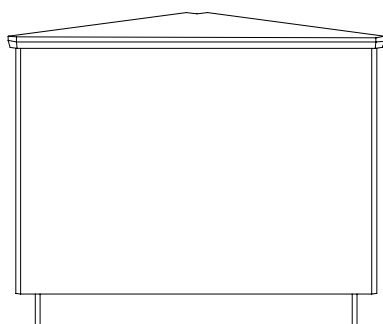
Catalog #	Description	Height"	Width"	Depth"	Price
CDT-3226	Elementary height, standard depth	32	30	30	
CDT-3226E	Elementary height, extended depth	32	33	33	
CDT-3926	Adult height, standard depth	39	30	30	
CDT-3926E	Adult height, extended depth	39	33	33	



Radiused 90 Degree Closed Corner Unit

Each unit will be triangular, with a radiused, closed-face design and will be used to form a 90-degree transition in any desk arrangement. This unit is supplied with an internal wire manager unless otherwise specified.

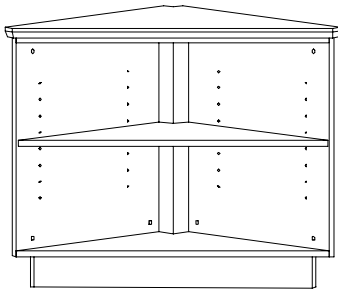
Catalog #	Description	Height"	Width"	Depth"	Price
CDT-3228	Elementary height, standard depth	32	30	30	
CDT-3228E	Elementary height, extended depth	32	33	33	
CDT-3928	Adult height, standard depth	39	30	30	
CDT-3928E	Adult height, extended depth	39	33	33	



Flat Front 90 Degree Corner Unit

Each unit will be triangular with a flat closed front design and will be used to form a 90-degree transition in any desk arrangement. This unit is supplied with an internal wire manager unless otherwise specified.

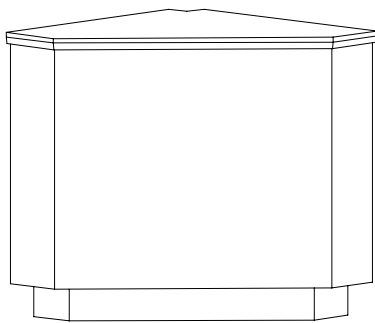
Catalog #	Description	Height"	Width"	Depth"	Price
CDT-3252	Elementary height, standard depth	32	30	30	
CDT-3252E	Elementary height, extended depth	32	33	33	
CDT-3952	Adult height, standard depth	39	30	30	
CDT-3952E	Adult height, extended depth	39	33	33	



Flat Front Open Shelf 90 Degree Corner Unit

Each unit will be triangular with an flat open-front design and will be used to form a 90-degree transition in any desk arrangement. Each unit will have one (1) fixed base shelf and adjustable shelves according to unit height. Adult-height units will be supplied with two (2) adjustable shelves and elementary-height units will be supplied with one (1) adjustable shelf. Shelves will be accessible from patron side of circulation desk. Open shelf corner units do not provide for wire access.

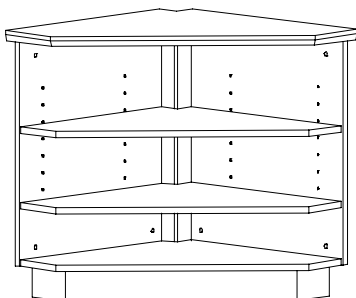
Catalog #	Description	Height"	Width"	Depth"	Price
CDT-3223	Elementary height, standard depth	32	30	30	
CDT-3223E	Elementary height, extended depth	32	33	33	
CDT-3923	Adult height, standard depth	39	30	30	
CDT-3923E	Adult height, extended depth	39	33	33	



90 Degree Closed Corner Unit

Each unit will be triangular with an angled, closed-face design and will be used to form a 90-degree transition in any desk arrangement. This unit is supplied with end panel grommets and internal wire manager unless otherwise specified.

Catalog #	Description	Height"	Width"	Depth"	Price
CDT-3216	Elementary height, standard depth	32	30	30	
CDT-3216E	Elementary height, extended depth	32	33	33	
CDT-3916	Adult height, standard depth	39	30	30	
CDT-3916E	Adult height, extended depth	39	33	33	

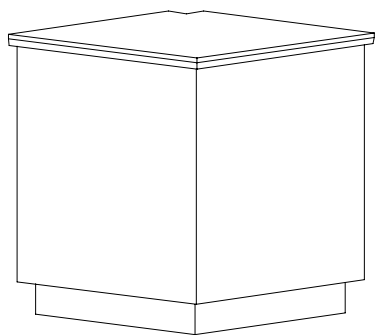


90 Degree Corner Open Shelf Unit

Each unit will be triangular with an open-front design and will be used to form a 90-degree transition in any desk arrangement. Each unit will have one (1) fixed base shelf and adjustable shelves according to unit height. Adult-height units will be supplied with two (2) adjustable shelves and elementary-height units will be supplied with one (1) adjustable shelf. Shelves will be accessible from patron side of circulation desk.

Catalog #	Description	Height"	Width"	Depth"	Price
CDT-3217	Elementary height, standard depth	32	30	30	
CDT-3217E	Elementary height, extended depth	32	33	33	
CDT-3917	Adult height, standard depth	39	30	30	
CDT-3917E	Adult height, extended depth	39	33	33	

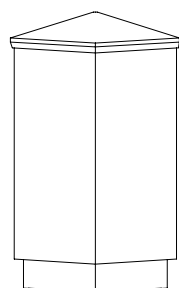
Circulation Desks



Closed Square Corner Unit

Each unit will be square, with a closed-face design and will be used to form a 90-degree transition in any desk arrangement. This unit is supplied an internal wire manager unless otherwise specified.

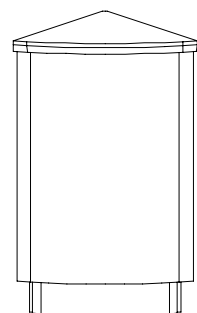
Catalog #	Description	Height"	Width"	Depth"	Price
CDT-3224	Elementary height, standard depth	32	30	30	
CDT-3224E	Elementary height, extended depth	32	33	33	
CDT-3924	Adult height, standard depth	39	30	30	
CDT-3924E	Adult height, extended depth	39	33	33	



Closed 45 Degree Corner Unit

Each unit will be triangular, with a closed-face design and will be used to form a 45-degree transition in any desk arrangement. This unit is supplied with an internal wire manager unless otherwise specified.

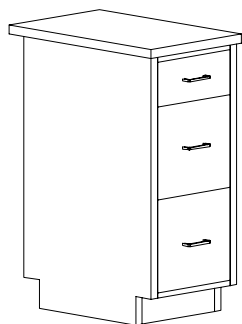
Catalog #	Description	Height"	Width"	Depth"	Price
CDT-3225	Elementary height, standard depth	32	21-3/16	30	
CDT-3225E	Elementary height, extended depth	32	23-1/2	33	
CDT-3925	Adult height, standard depth	39	21-3/16	30	
CDT-3925E	Adult height, extended depth	39	23-1/2	33	



Radiused 45 Degree Closed Corner Unit

Each unit will be triangular, with a radiused, closed-face design and will be used to form a 45-degree transition in any desk arrangement. This unit is supplied with an internal wire manager unless otherwise specified.

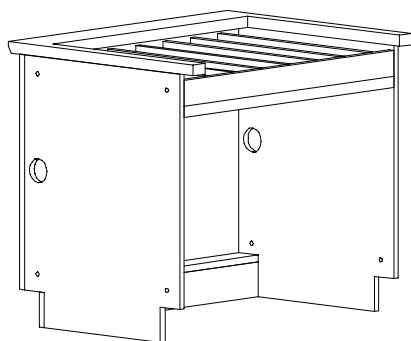
Catalog #	Description	Height"	Width"	Depth"	Price
CDT-3227	Elementary height, standard depth	32	21-3/16	30	
CDT-3227E	Elementary height, extended depth	32	23-1/2	33	
CDT-3927	Adult height, standard depth	39	21-3/16	30	
CDT-3927E	Adult height, extended depth	39	23-1/2	33	



**Half-Width File Drawer Unit
(free-standing, not a pedestal)**

Adult-height units will have two (2) file drawers measuring 14-7/8”W x 18”D x 10-1/2”H and one (1) box drawer 14-7/8” x 18”L x 5-1/4”H. Elementary-height units will have one (1) file drawer and one (1) box drawer. This unit is supplied with a front-mounted drawer gang-lock unless otherwise specified.

Catalog #	Description	Height"	Width"	Depth"	Price
CDT-3219	Elementary height, standard depth	32	17	27	
CDT-3219E	Elementary height, extended depth	32	17	30	
CDT-3919	Adult height, standard depth	39	17	27	
CDT-3919E	Adult height, extended depth	39	17	30	

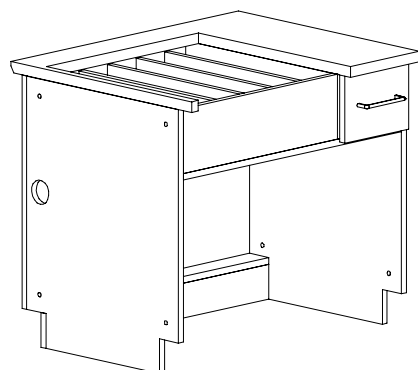


Discharging Unit

Each unit will have a full-width well measuring 34-1/2”W x 8-3/4”H x 24”D (well opening in continuous top measures 32”W x 22”D) to accommodate eight (8) removable index card trays. A 3/4”T x 34-1/2”W well front will be provided to prevent accidental dislodgment of index trays.

Extended depth units will have a full-width well measuring 34-1/2”W x 8-3/4”H x 27”D. (well opening in continuous top measures 32”W x 25”D)

Catalog #	Description	Height"	Width"	Depth"	Price
CDT-3206	Elementary height, standard depth	32	36	27	
CDT-3206E	Elementary height, standard depth	32	36	30	
CDT-3906	Adult height, standard depth	39	36	27	
CDT-3906E	Adult height, extended depth	39	36	30	

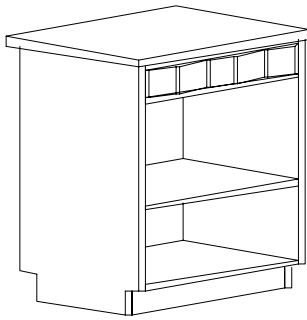


Discharge and Drawer Unit

Each unit will have a well measuring 24-1/8”W x 8-3/4”H x 24”D (well opening in continuous top measures 21-5/8”W x 22”D) to accommodate five (5) removable index card trays and a 7-5/8”W x 18”L box drawer for multiuse. When specified, a card slot will be recessed into the top over the drawer to be used for index card collection. This unit is supplied with a drawer lock unless otherwise specified. Extended depth units will have a well measuring 24-1/8”W x 8-3/4”H x 27”D. (Well opening in continuous top measures 21-5/8”W x 25”D)

Catalog #	Description	Height"	Width"	Depth"	Price
CDT-3204	Elementary height, standard depth	32	36	27	
CDT-3204E	Elementary height, extended depth	32	36	30	
CDT-3904	Adult height, standard depth	39	36	27	
CDT-3904E	Adult height, extended depth	39	36	30	

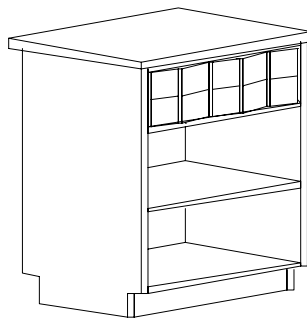
Circulation Desks



Card File Unit (5 trays)

Unit has an open shelf with a 5 tray index card cabinet. Unit will be supplied with one (1) base shelf measuring 34-1/2"W x 23-15/16"D which is removable to provide wiring access for floor receptacles. Adjustable shelves will measure 34-1/2"W x 22"D, which provides a 3/4"D wiring access at the rear of the shelf, so as to not impede the shelf's free-adjustment. Adult-height units will be supplied with one (1) adjustable shelf, elementary-height units will not be supplied with an adjustable shelf.

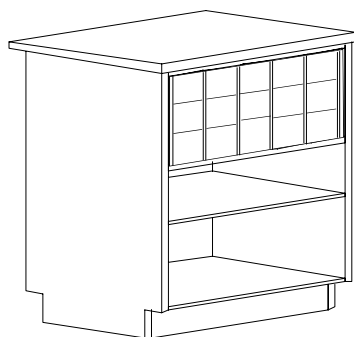
Catalog #	Description	Height"	Width"	Depth"	Price
CDT-3213	Elementary height, standard depth	32	36	27	
CDT-3213E	Elementary height, extended depth	32	36	30	
CDT-3913	Adult height, standard depth	39	36	27	
CDT-3913E	Adult height, extended depth	39	36	30	



Card File Unit (10 trays)

Unit has an open shelf with a 10 tray index card cabinet. Unit will be supplied with one (1) base shelf measuring 34-1/2"W x 23-15/16"D which is removable to provide wiring access for floor receptacles. Adjustable shelves will measure 34-1/2"W x 22"D, which provides a 3/4"D wiring access at the rear of the shelf, so as to not impede the shelf's free-adjustment. Adult-height units will be supplied with one (1) adjustable shelf, elementary-height units will not be supplied with an adjustable shelf.

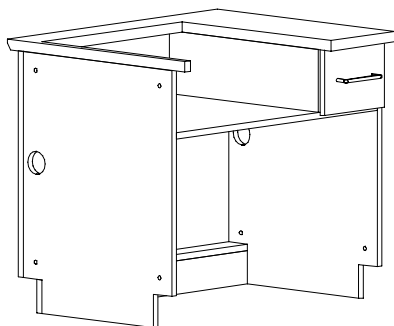
Catalog #	Description	Height"	Width"	Depth"	Price
CDT-3212	Elementary height, standard depth	32	36	27	
CDT-3212E	Elementary height, extended depth	32	36	30	
CDT-3912	Adult height, standard depth	39	36	27	
CDT-3912E	Adult height, extended depth	39	36	30	



Card File Unit (15 trays)

Unit has an open shelf with a 15 tray index card cabinet. Unit will be supplied with one (1) base shelf measuring 34-1/2"W x 23-15/16"D which is removable to provide wiring access for floor receptacles. Adjustable shelves will measure 34-1/2"W x 22"D, which provides a 3/4"D wiring access at the rear of the shelf, so as to not impede the shelf's free-adjustment. Adult-height units will be supplied with one (1) adjustable shelf, elementary-height units will not be supplied with an adjustable shelf.

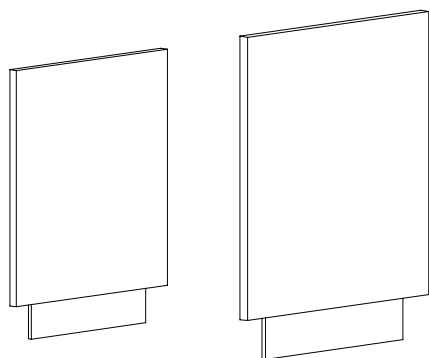
Catalog #	Description	Height"	Width"	Depth"	Price
CDT-3211	Elementary height, standard depth	32	36	27	
CDT-3211E	Elementary height, extended depth	32	36	30	
CDT-3911	Adult height, standard depth	39	36	27	
CDT-3911E	Adult height, extended depth	39	36	30	



Machine Well Unit

Well measures 24-1/8"W x 8-3/4"H x 24"D (well opening in continuous top measures 21-5/8"W x 22"D) Box drawer measures 10-3/16"W x 18"L. When specified, a card slot will be recessed into the top over the drawer to be used for index card collection. This unit is supplied with a work surface grommet, centered along the well length and a drawer lock unless otherwise specified. Extended depth units will have a well measuring 24-1/8"W x 8-3/4"H x 27"D. (well opening in continuous top measures 21-5/8"W x 25"D)

Catalog #	Description	Height"	Width"	Depth"	Price
CDT-3201	Elementary height, standard depth	32	36	27	
CDT-3201E	Elementary height, extended depth	32	36	30	
CDT-3901	Adult height, standard depth	39	36	27	
CDT-3901E	Adult height, extended depth	39	36	30	



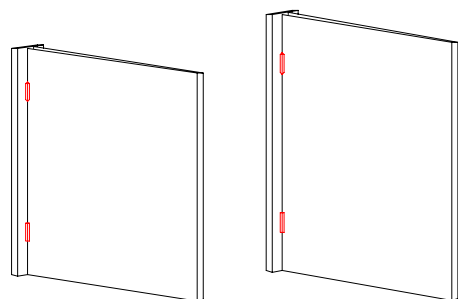
Finished End Panel

Each panel will be constructed using banded, matching veneer-core plywood. Each panel will have a recessed black laminate toe kick space to help provide continuation of the continuous toe kick found on the patron side of the desk. One pair is needed per each continuous-unit assembly.

All fully assembled circulation desks will need two (2) finished end panels unless placement is permanently next to a wall or other structure that hides the unfinished side of the service unit on the end.

ADA Desk Note: When the adult version is used on one end of the circulation desk, an elementary finished end panel should be ordered for that end.

Catalog #	Description	Height"	Thickness"	Width"	Price
CDT-3218	Elementary height, standard depth	32	1	24-3/4	
CDT-3218E	Elementary height, extended depth	32	1	27-3/4	
CDT-3918	Adult height, standard depth	39	1	24-3/4	
CDT-3918E	Adult height, extended depth	39	1	27-3/4	

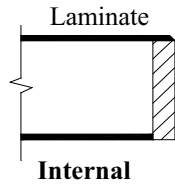


Swinging Gate

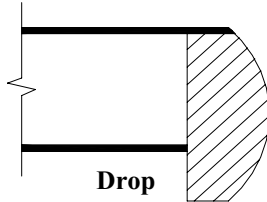
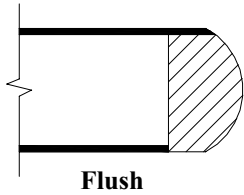
When specified, gates will be mounted to walls or finished end panels on the circulation desk. Gates will be constructed using banded, matching veneer-core plywood in widths of up to 36". Single-action gates are supplied with stop moulding. **The desired width of the gate and hinge type (single or double action) MUST BE quoted in advance and specified on the order**

Catalog #	Description	Height"	Width"	Thickness"	Price
CDT-1G 32	Elementary height, single action hinge	32	Specify	1	based on width
CDT-2G 32	Elementary height, double action hinge	32	Specify	1	based on width
CDT-1G 39	Adult height, single action hinge	39	Specify	1	based on width
CDT-2G 39	Adult height, double action hinge	39	Specify	1	based on width

Planning For & Ordering Edgeband for Traditional Series



Staff side of the work surface comes with a 1/4" internal solid red oak edgeband.

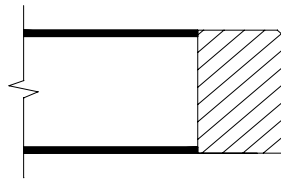


When choosing an edgeband for the Patron and terminating ends of the work surface you can either have the edgeband placed flush with the bottom of the top or dropped below the bottom.

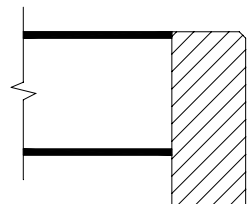
Worksurfaces will be constructed with a 3/4" T solid red oak edgeband and can be ordered with any one of a variety of internal or external edgeband details.

See below for edge details for the Traditional Series.

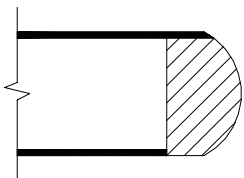
**Edge Details
for
Traditional Series**



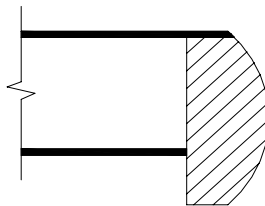
1 1/4" thick top (External)
Montana Flush



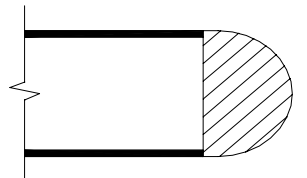
1 1/4" thick top (External)
Montana Drop



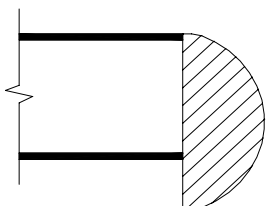
1 1/4" thick top (Internal)
Shallow Bullnose Flush



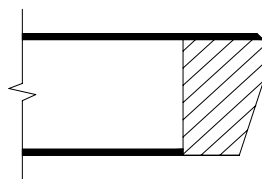
1 1/4" thick top (Internal)
Shallow Bullnose Drop



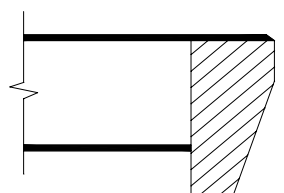
1 1/4" thick top (External)
Bullnose Flush



1 1/4" thick top (External)
Bullnose Drop



1 1/4" thick top (Internal)
Premier Flush



1 1/4" thick top (Internal)
Premier Drop