

GENERAL SPECIFICATIONS

The *Ultima Series* circulation desk is designed to provide modularity to further your investment dollars, while providing the look and functionality of a continuous top circulation desk. The units are bolted together to ensure stability, but can be unbolted and rearranged at will, and then rebolted in the new pattern. Each end of the circulation desk is terminated with a finished end panel.

CONSTRUCTION AND MATERIALS

Each desk unit will be constructed from 1" thick veneer core plywood end panels with plain-slice faced veneers, and 3/4" thick veneer core plywood with rift-cut faced veneers. Front panels will be matched for color and grain characteristics to provide uniformity across the entire desk arrangement.

Each unit is constructed with a 6" high x 3/4" deep toe space which is covered with flat black laminate on both sides. All doors, adjustable shelves, and drawer fronts will be constructed from 3/4" thick veneer core, plain-sliced. All visible panel edges will be banded with 1/4" thick eased matching hardwood.

Shelves will be on no greater than 2" centers supported by 1/4" shelf pins. All edges will be banded with 1/4" thick eased matching hardwood. Individual tops will be 1-1/4" thick and will be constructed from 1-1/8" thick particleboard with .050" high-pressure laminate on the face with .020" backer sheet on the underside of the top. Patron side is banded with 3/4" solid red oak with choice of edgeband. SEE PAGE 67 FOR EDGE BAND DETAILS. All remaining edges will be internally banded with 1/4" thick solid red oak.

Each drawer box will be of English dovetail design and will be constructed using 1/2" thick solid northern grown red oak with a 1/4" thick veneer core plywood bottom. Box drawers will be 14-7/8"W x 18"D x 5-1/4"H.

File drawers will be 14-7/8"W x 18"D x 10-1/2"H.
Full width drawers will be 31-1/2"W x 18"D x 5-1/4"H.

HARDWARE

All drawers will be constructed to an overall depth of 18" and will be mounted on 18" full-extension, ball bearing glides with a load rating of 100 pounds per pair. On a given desk arrangement, all locks will be keyed identically. All doors will be hung with 110-degree opening, self-closing Salice hinges (180-degree available if specified) and Salice Smove (tm) door cushions.

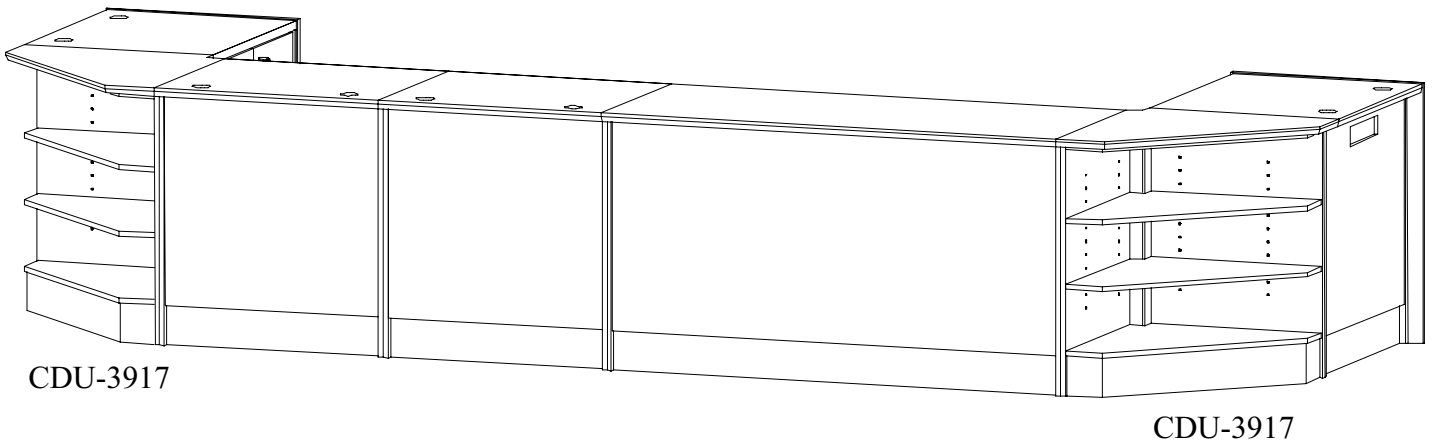
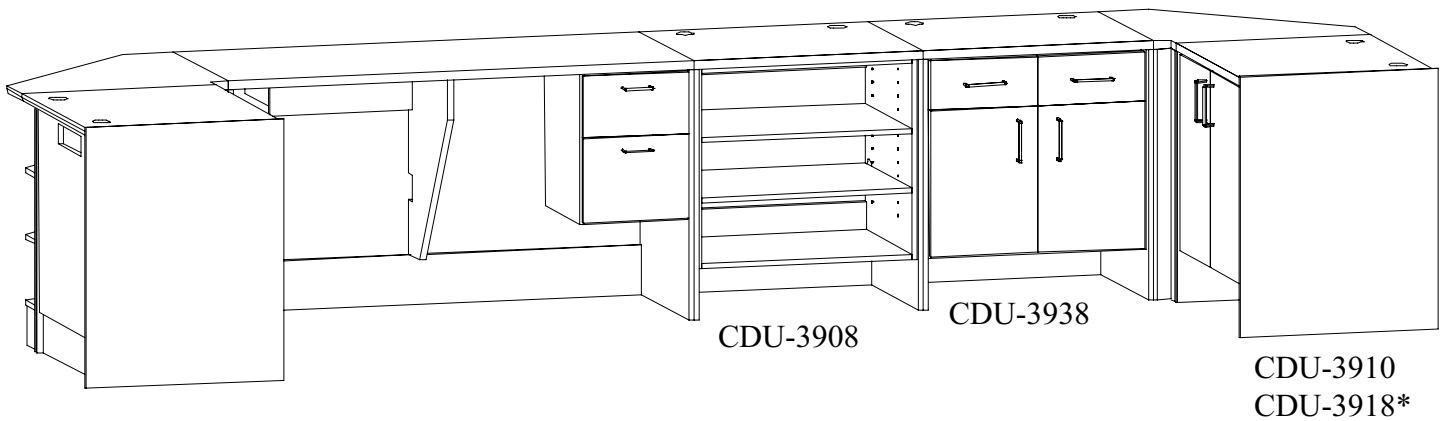
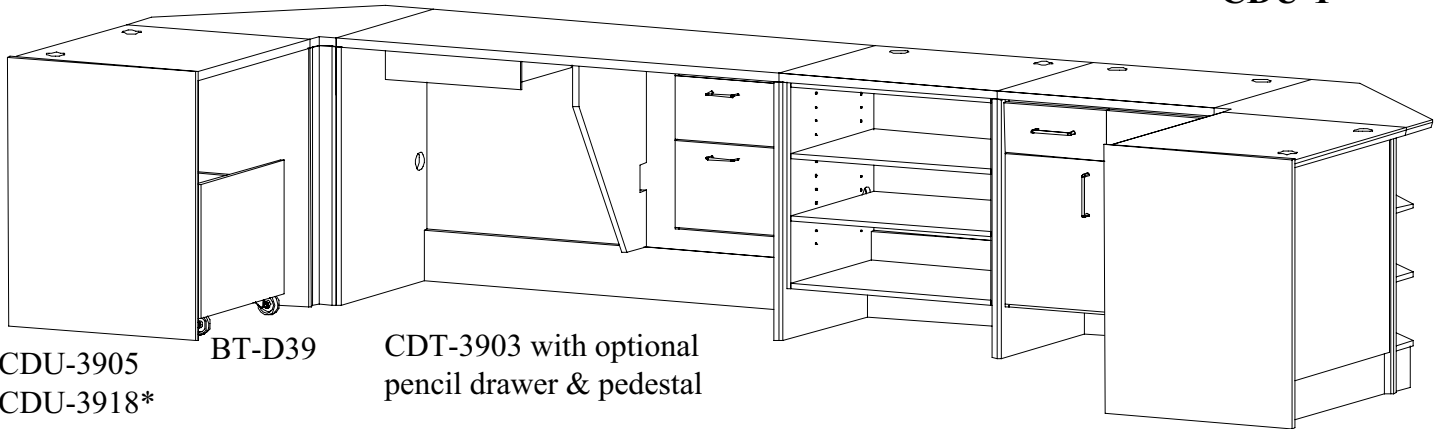
All door units will be provided with locks. Pulls for both doors and drawers will be satin chrome 5/16" diameter wire pulls. Pull substitutions may be made at customer's request [an additional cost may occur].

All units will be supplied with 3" grommets through the work surface and end panels with J-channel wire manager mounted under the surface on the inside of the front panel.

FINISH: See page 5 for finish specifications.

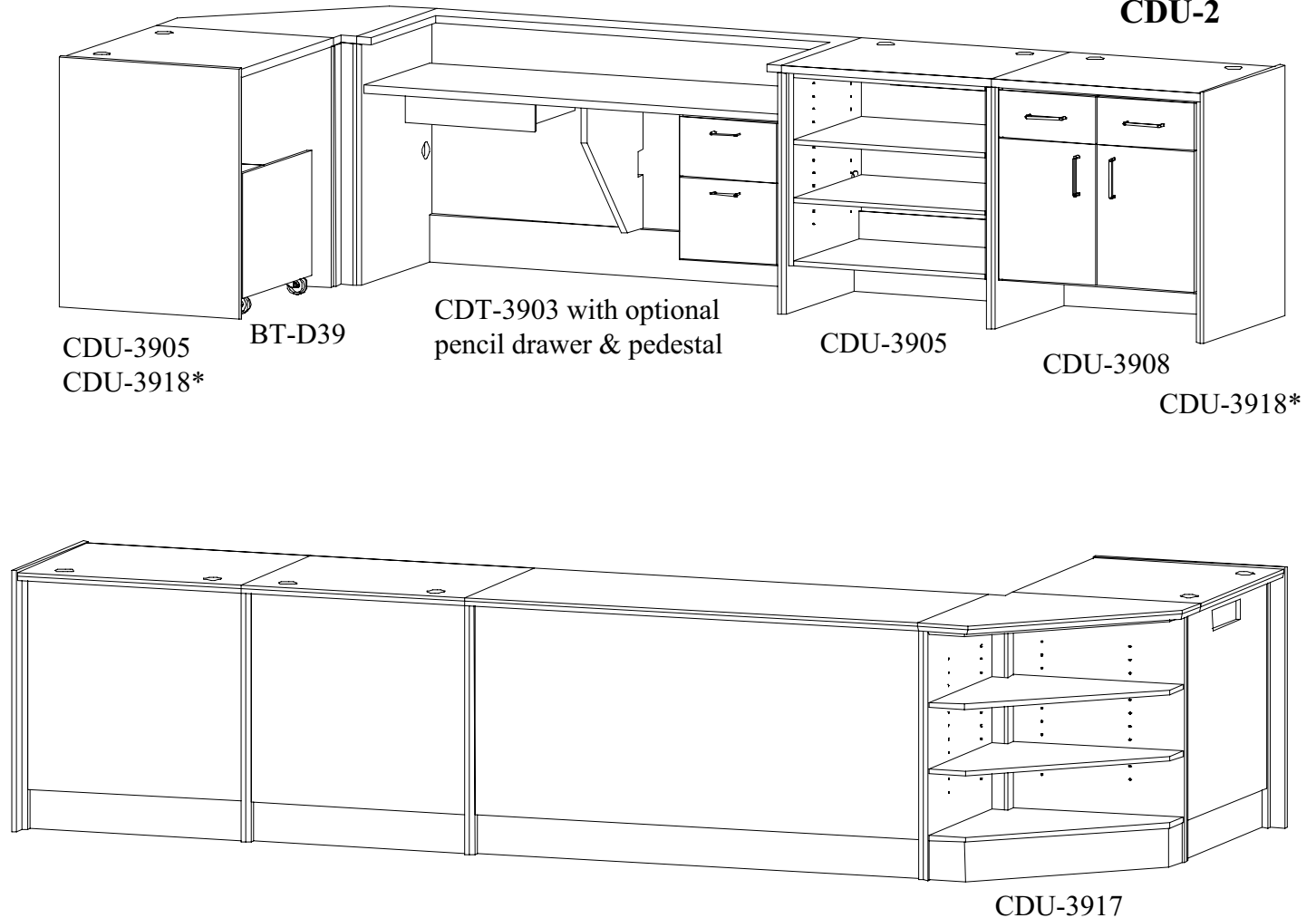
Visit our website at www.russwood.net

CDU-1



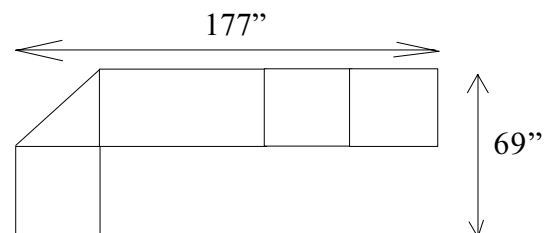
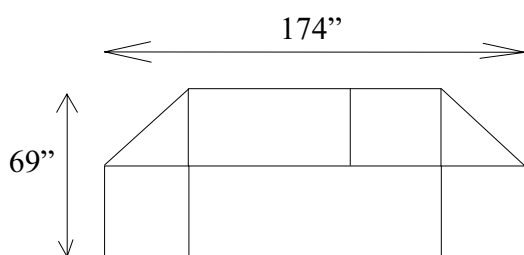
*finished end panel

CDU-2



The *Ultima Series* circulation desks offers a continuous work surface by constructing each service unit with its own top which allows for future rearrangement.

The service units shown are featured as our most popular units in this series. Nearly every circulation desk we've produced includes the service units shown. These popular units are a book return with depressible truck, a corner unit, a double patron unit with an optional pencil drawer and pedestal, an open shelf unit, and a cupboard unit. When arranged the desks form either in a "U" shape or a "L" shape depending on the total number of service units ordered. If you desire a service unit that is not shown here then you can choose from the many others that follow.

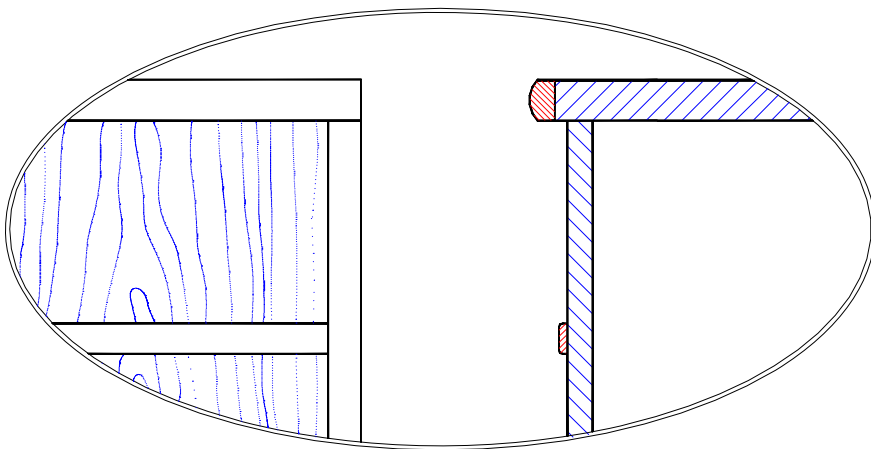


Ultima Series Trim Packages

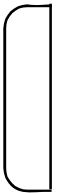
Ordering a trim package is simple.

1. Select the Ultima service units you desire in your circulation desk arrangement.
2. Determine the total number of single width or small corner units, multiply by selected package upcharge.
3. Determine the total number of double or larger corner units, multiply by selected package upcharge.
4. Add the total single and double widths to determine the total trim package upcharge.

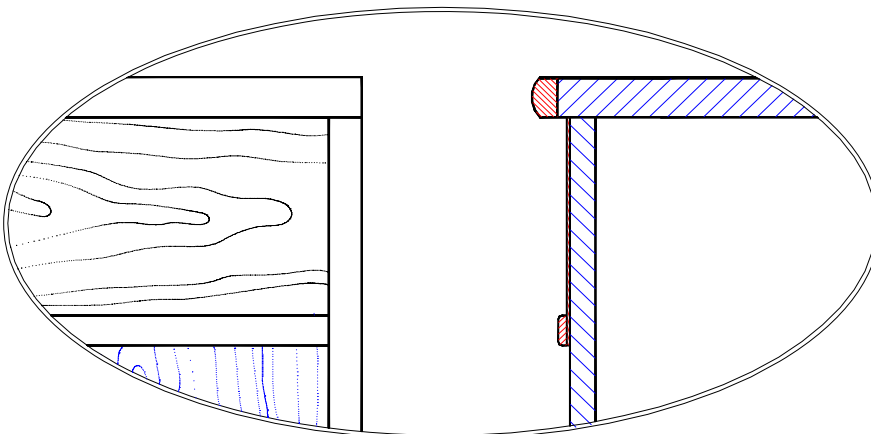
Slimline™



The Slimline package adds a solid red oak trim molding which is placed on the modesty (patron) panel and captured by the end panel. The molding is located 6" inches from the top. The molding is 15/16"W x 1/4" thick with 1/8" radius on the edges. Trim will be finished to match.

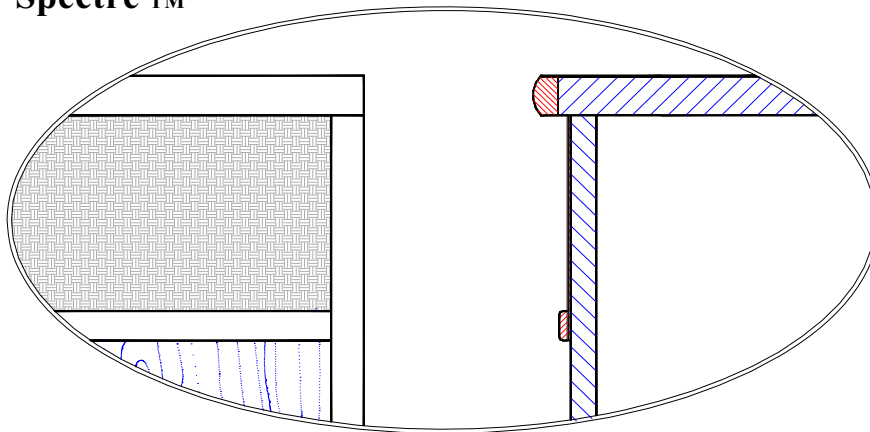


Crisscross™

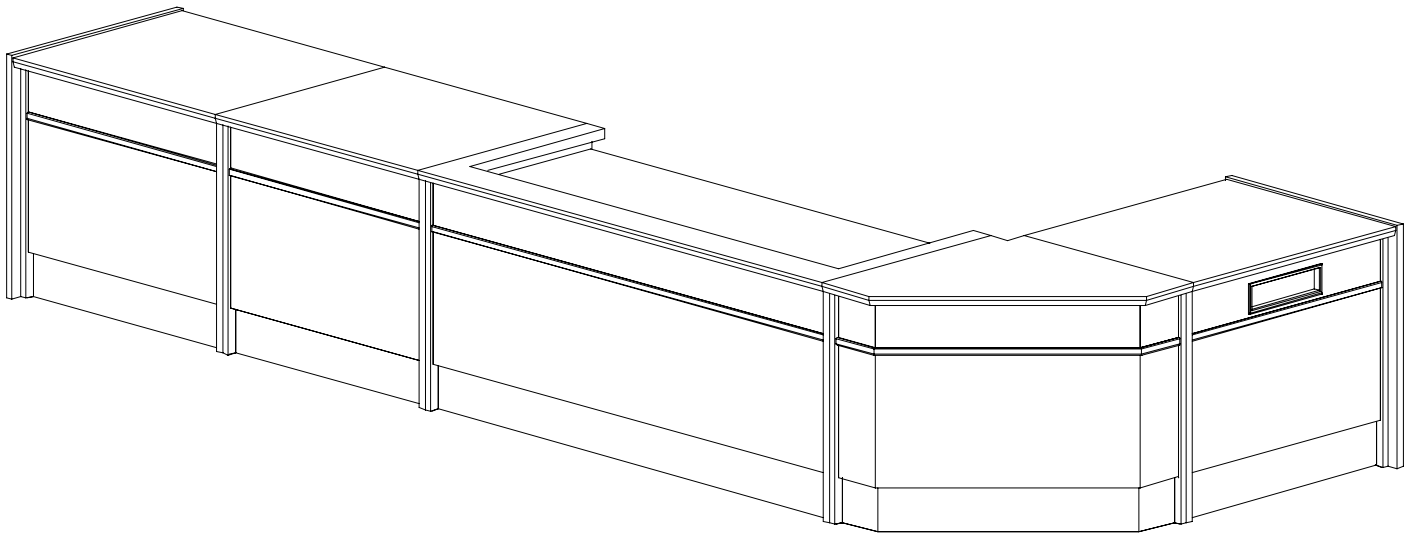


The Crisscross package adds an accent of 6"W red oak veneer placed horizontally to the modesty (patron) panel and captured by the end panels. Solid red oak molding trim is placed over the veneer seam. The trim molding is 15/16"W x 1/4" thick with 1/8" radius on the edges. Veneer and trim will be finished to match.

Spectre TM



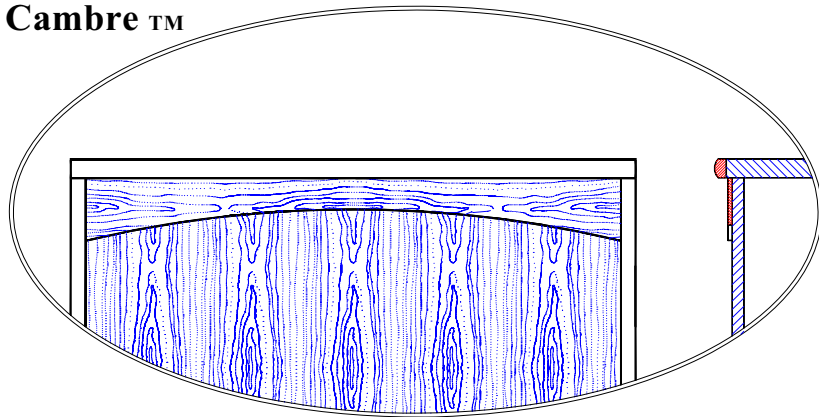
The Spectre package adds an accent of 6"W HPL laminate of your choice to the modesty (patron) panel and captured by the end panels. The trim molding is 15/16"W x 1/4" thick with 1/8" radius on the edges. Trim will be finished to match.



Catalog #	Description	Single W" unit upcharge \$	Double"W unit upcharge \$
SLU-1	Slimline Trim Package for Ultima Series		
CCU-1	Crisscross Trim Package for Ultima Series		
SPU-1	Spectre Trim Package for Ultima Series		
	To figure upcharge:	# Single units (x) upcharge per unit =	
		# Double units (x) upcharge per unit = +	
		Total upcharge \$	

Contact your Russwood Dealer for any questions about Circ. Desk Trim Packages.

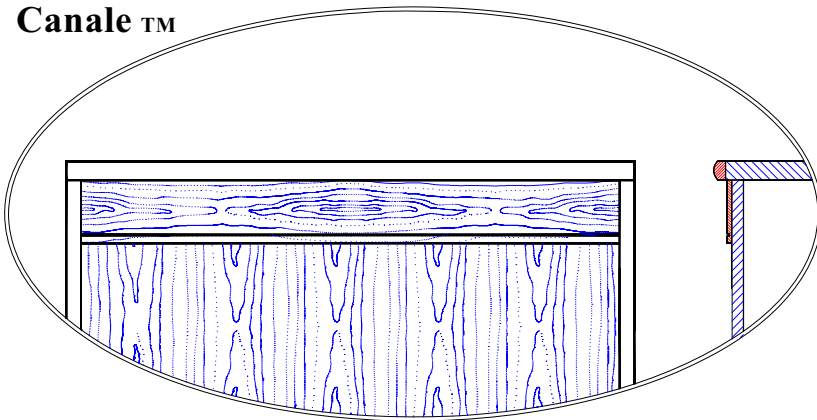
Cambre™



The Cambre package adds a 4"W x 1/4"T solid red oak trim with an arch on the bottom edges. The trim is added at the top of the modesty (patron) panel and is captured by the end panels. Arched trim will finished to match.

NOTE: This package is not available on radiused desk or corner units.

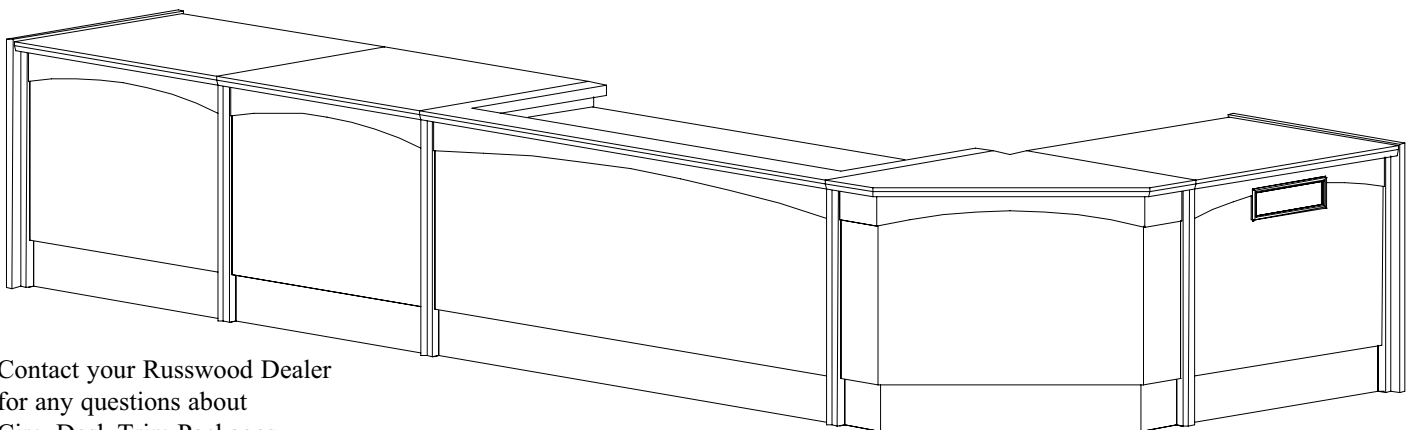
Canale™



The Canale package adds a 4"W x 1/4"T solid red oak trim with a 1/8" x 1/8" reveal located 3/4" from the bottom of the trim. Reveal will be finished flat black. The trim is added at the top of the modesty (patron) panel and is captured by the end panels.

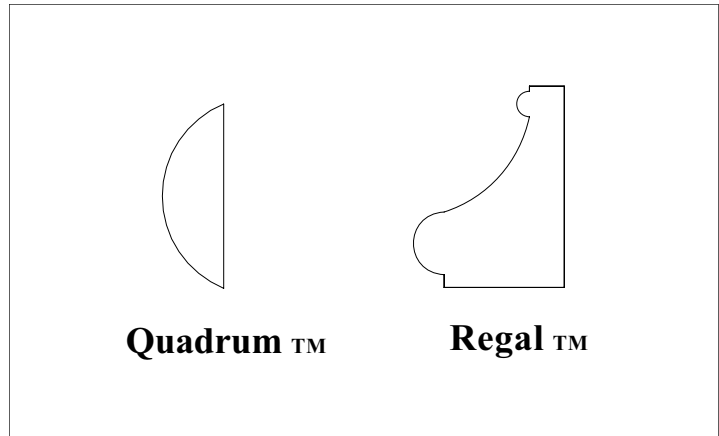
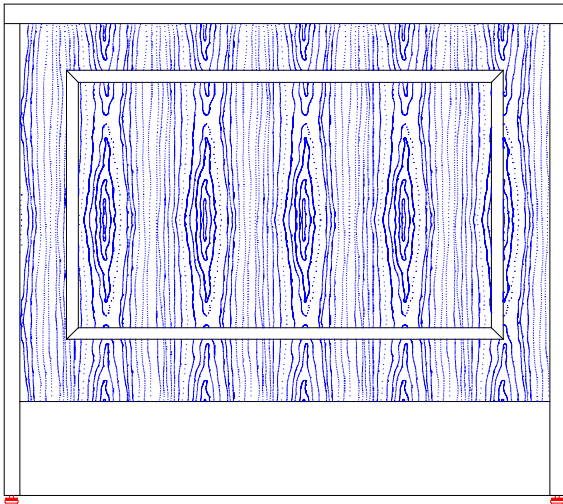
Trim will be finished to match.

NOTE: This package is not available on radiused desk or corner units.



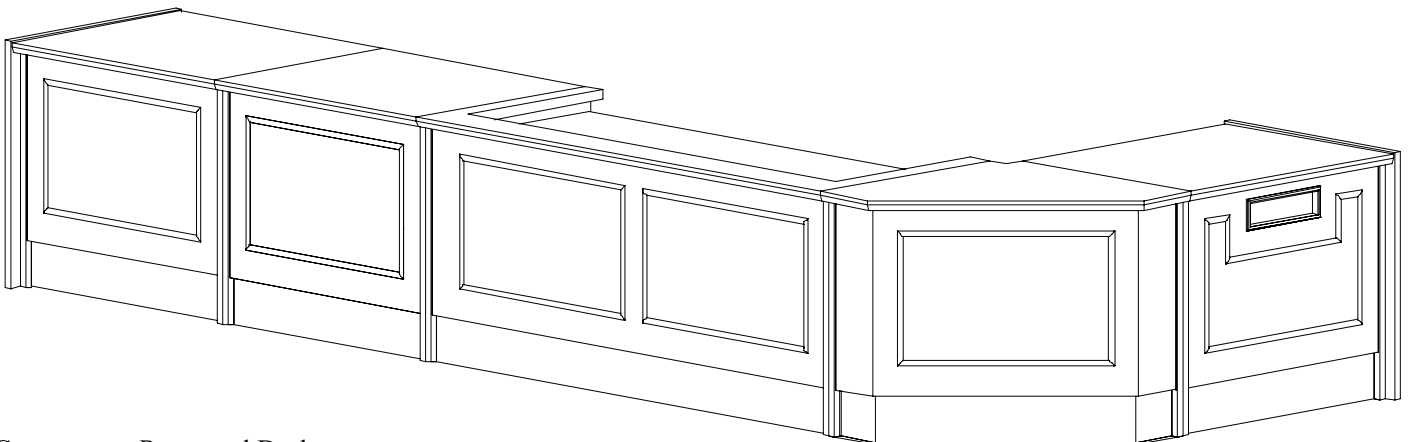
Contact your Russwood Dealer for any questions about Circ. Desk Trim Packages.

Catalog #	Description	Single W" unit upcharge \$	Double"W unit upcharge \$
CBU-1	Cambre Trim Package for Ultima Series		
CLU-1	Canale Trim Package for Ultima Series		
To figure upcharge:		# Single units (x) upcharge per unit =	
		# Double units (x) upcharge per unit = + _____	
		Total upcharge \$	



The Quadrum and Regal packages can be applied to any flat modesty panel or end panel. The treatment forms a rectangle that is about 3" from all edges. The trim package comes with the choice of two moldings. The edge details of these two moldings can be seen below. This treatment can be applied to the modesty or end panel of any Elite Series unit and can be applied to Traditional, Ultima, and Moduflex Circulation Desk. Note: this treatment is not available on radius units. On 36" circulation desks the modesty panels receives one such rectangle while a 72" unit would receive two such rectangles

NOTE: The Quadrum and Regal packages are not available on radiused desk or corner units.



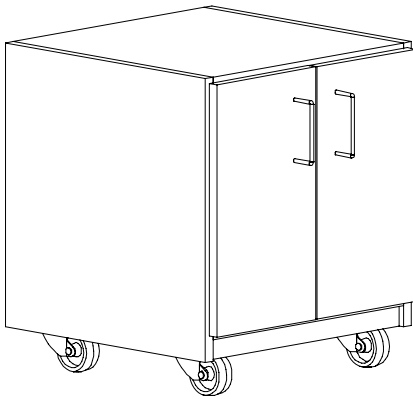
Contact your Russwood Dealer
for any questions about
Circ. Desk Trim Packages.

Catalog #	Description	Single W" unit upcharge \$	Double"W unit upcharge \$
QDU-1	Quadrum Trim Package for Ultima Series		
RGU-1	Regal Trim Package for Ultima Series		
	To figure upcharge:	# Single units (x) upcharge per unit =	
		# Double units (x) upcharge per unit = + _____	
		Total upcharge \$	

For the ultimate in versatility...

Combine any of our desk units in this series with any of the following mobile units.

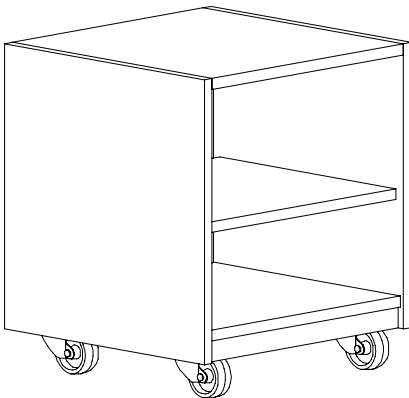
Combining mobile units and desk units allows you to change the function of any of your circulation desk work stations at a moment's notice. Units with permanent features can be used with desks that use mobile units.



Mobile Cupboard Unit

This unit is supplied with two (2) shelves for the adult height and one (1) shelf for the elementary height. The back is supplied with grommets for wire management.

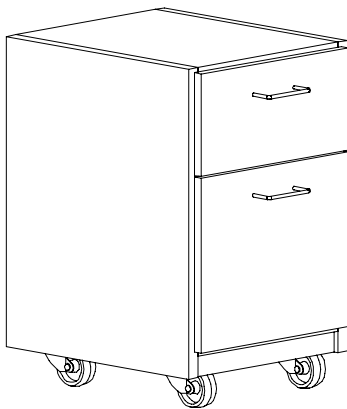
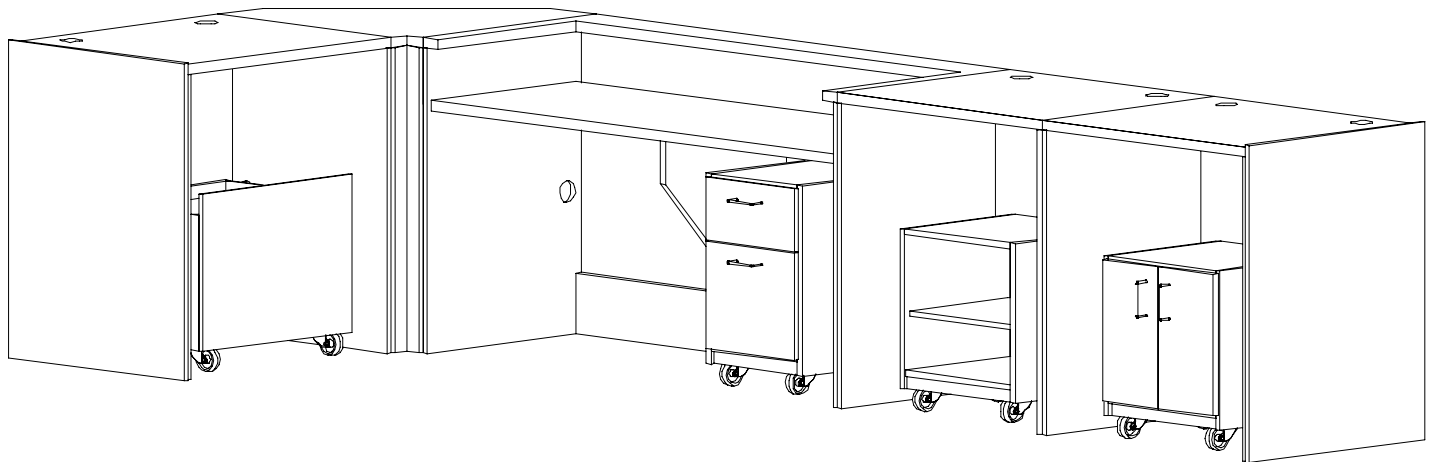
Catalog #	Description	Height"	Width"	Depth"	Price
A-27	Elementary height	26	25	20	
A-28	Adult height	36	25	20	



Mobile Open Shelf Unit

This unit is supplied with two (2) shelves for the adult height and one (1) shelf for the elementary height. The back is supplied with grommets for wire management.

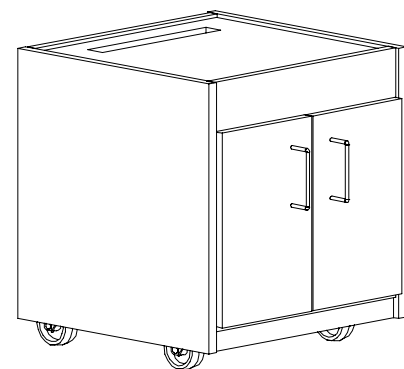
Catalog #	Description	Height"	Width"	Depth"	Price
A-29	Elementary height	26	25	20	
A-30	Adult height	30	25	20	



Mobile File Cabinet

The elementary height unit is supplied with (1) box and (1) file drawer. The intermediate height unit is supplied with (2) boxes and (1) file. The adult height unit is supplied with (1) box drawer and (2) file drawers. The box drawer is 14-7/8"W x 18"D x 5-1/4"H. The file drawer is 14-7/8"W x 18"D x 10-1/2"H. The unit is counterbalanced so that it does not tip over under normal use when the file drawer is opened.

Catalog #	Description	Height"	Width"	Depth"	Price
A-23	Elementary height	25	17	19	
A-23A	Intermediate height	31	17	19	
A-23B	Adult height	36	17	19	

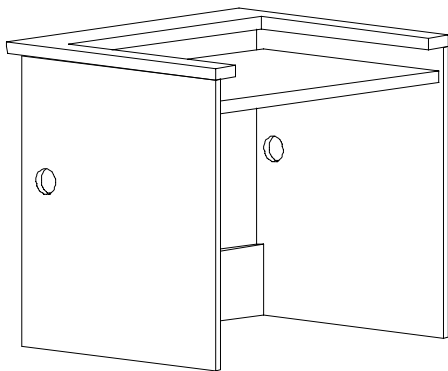


Mobile Printer Stand

Unit end panels are constructed of 1"T red oak veneer plywood. All other components are constructed with 3/4"T red oak veneer plywood. Unit is supplied with one (1) adjustable shelf and one (1) base shelf. The shelf is 22-134"W x 17"D x 3/4"T. Adj. Shelf is notched for wiring management. All exposed edges are edgebanded with 1/4"T solid red oak. Doors have satin chrome pulls. The bottom is supplied with a grommet for wire management. Wheels are 210 lbs rated ball-bearing swivel casters. The top is removable and is slotted for printer paper.

Catalog #	Description	Height"	Width"	Depth"	Price
A-24	Universal height	21	21	19	

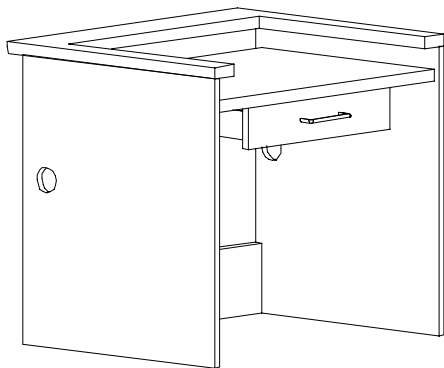
Circulation Desks



Patron Desk Unit

Unit will have a recessed work surface measuring 34"W x 27-1/4"D, fastened with metal cleats (work surface height - 29"). Work surface grommet, centered along length unless otherwise specified. The recessed work surface will have a 1/4" thick, solid wood, internal edgeband. Patron ledge is 6" deep.

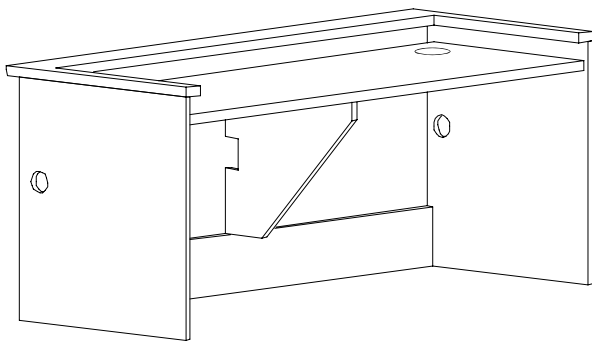
Catalog #	Description	Height"	Width"	Depth"	Price
CDU-3202	Elementary Height	32	36	30	
CDU-3902	Adult Height	39	36	30	



Patron Desk With Pencil Drawer Unit

Unit will have a recessed work surface measuring 34"W x 27-1/2"D, fastened with metal cleats. (adult work surface height - 29"). Work surface grommet, centered along length unless otherwise specified. The exposed edge of the recessed work surface will have a 1/4" thick, solid wood, internal edgeband. Patron ledge is 6" deep. The pencil drawer is centered under the work surface and 18"W x 14-7/8"D x 3"H.

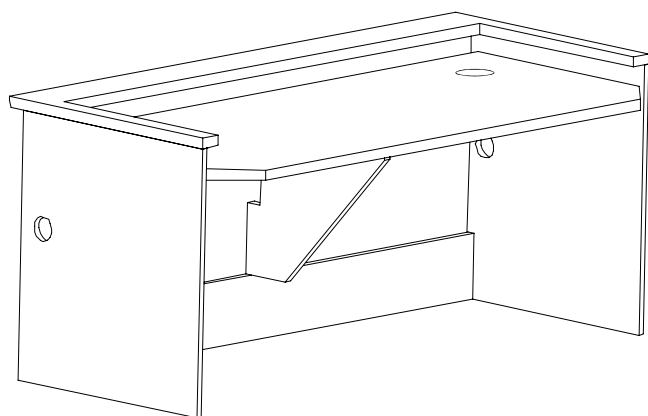
Catalog #	Description	Height"	Width"	Depth"	Price
CDU-3235	Elementary Height	32	36	30	
CDU-3935	Adult Height	39	36	30	



Double-Width Patron Desk Unit

Each unit will have a recessed work surface measuring 70"W x 27-1/4"D, fastened with metal cleats to provide an adult work surface height of 29"H. This unit is supplied with two (2) work surface grommets located toward each end unless otherwise specified. The recessed work surface will receive a 1/4" thick, solid wood, internal edgeband. The work surface will be supported at midspan with a 1" thick stiffknee that rests on top of the toe board. Patron ledge is 6" deep.

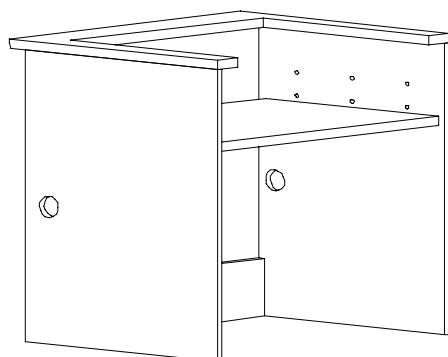
Catalog #	Description	Height"	Width"	Depth"	Price
CDU-3203	Elementary Height	32	72	30	
CDU-3903	Adult Height	39	72	30	



Double-Width Extended Depth Patron Desk Unit

Each unit will have a recessed work surface measuring 70"W x 27-1/4"D, fastened with metal cleats to provide an adult work surface height of 29"H. This unit is supplied with two (2) work surface grommets located toward each end unless otherwise specified. The recessed work surface will receive a 1/4" thick, solid wood, internal edgeband. The work surface will be supported at midspan with a 1" thick stiffknee that rests on top of the toe board. Patron ledge is 6" deep.

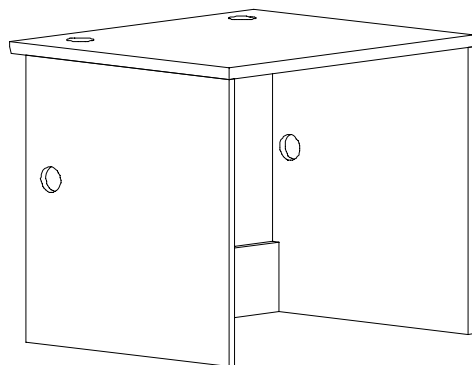
Catalog #	Description	Height"	Width"	Depth"	Price
CDU-3203E	Elementary Height	32	72	32-1/2	
CDU-3903E	Adult Height	39	72	32-1/2	



Patron Desk with adjustable work surface

Unit will have a recessed work surface measuring 34"W x 27-1/4"D, fastened with metal cleats and threaded inserts. The work surface is adjustable to accommodate a variety of possible needs. On the adult height unit, the work surface possibilities are 29"H, 32"H, and 39"H. On the elementary height unit, the work surface possibilities are 27"H, and 29"H. The patron ledge is 6"D . Work surface grommet, centered along length unless otherwise specified.

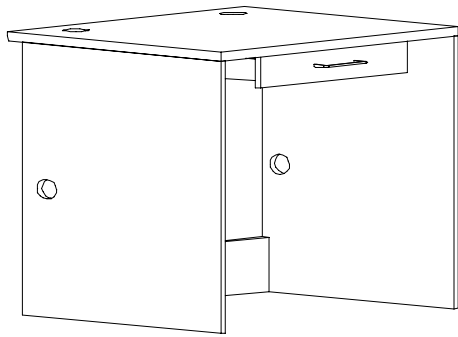
Catalog #	Description	Height"	Width"	Depth"	Price
CDU-3248	Elementary Height	32	36	30	
CDU-3948	Adult Height	39	36	30	



Desk Unit

Each unit will have inside dimensions of 34"W x 27-1/2"D. Two work surface grommet placed along front edge unless otherwise specified.

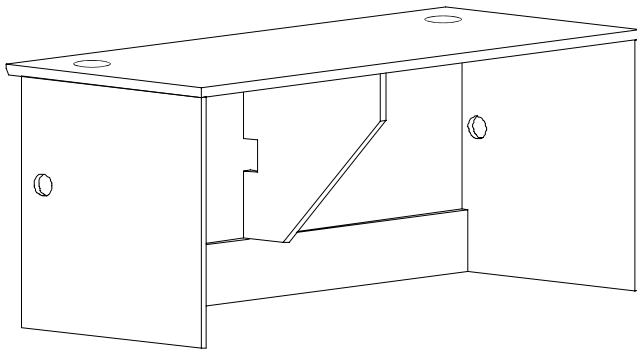
Catalog #	Description	Height"	Width"	Depth"	Price
CDU-3234	Elementary Height	32	36	30	
CDU-3934	Adult Height	39	36	30	



Desk With Pencil Drawer Unit

Each unit will have inside dimensions of 34"W x 27-1/2"D. Work surface grommet placed along patron length on each end unless otherwise specified. The pencil drawer is centered under the work surface and 18"W x 14-7/8"D x 3"H.

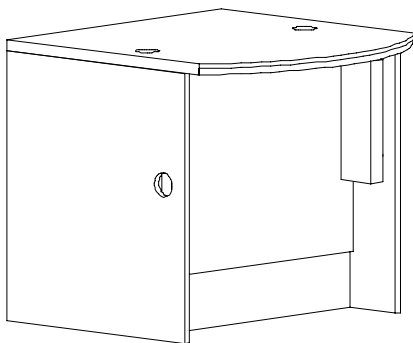
Catalog #	Description	Height"	Width"	Depth"	Price
CDU-3247	Elementary Height	32	36	30	
CDU-3947	Adult Height	39	36	30	



Double Width Desk Unit

Each unit will have inside dimensions of 70"W x 27-1/2"D. Work surface grommet placed along patron length on each end unless otherwise specified. The work surface will be supported at midspan with a 1" thick stiffknee that rests on top of the toe board.

Catalog #	Description	Height"	Width"	Depth"	Price
CDU-3253	Elementary Height	32	72	30	
CDU-3953	Adult Height	39	72	30	

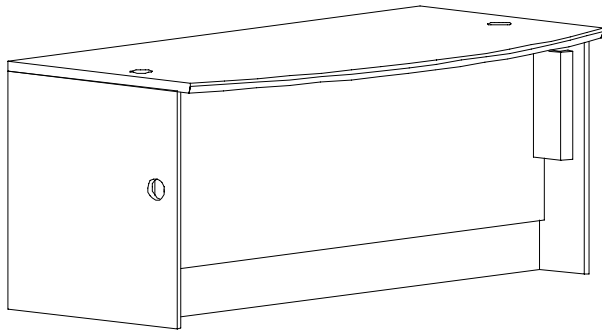


ADA Transaction Unit

The unit will have modesty panel mounted along the midline and supplied with two (2) grommets located at each end of the work surface unless otherwise specified. The work surface on all height units will be 32"H. A wire chase is provided for wire concealment.

ADA Desk Note: 1) When an ADA unit is used on one end of an adult height circulation desk, an elementary finished end panel should be ordered for that end. 2) When an ADA unit is placed between other adult units the work surface is captured rather than continuous.

Catalog #	Description	Height"	Width"	Depth"	Price
CDU-3220	ADA max 32"H (both Elem. And Adult)	32	36	36	

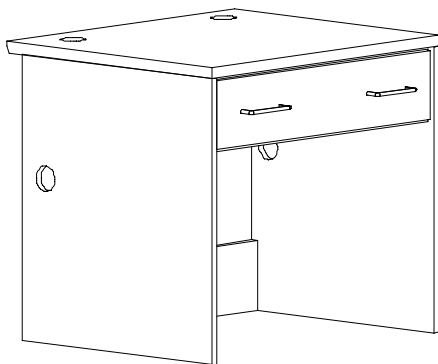


Double Width ADA Transaction Unit

Unit will have a modesty panel mounted along unit midline and is supplied with two (2) work surface grommets located at each end unless otherwise specified. The work surface on both heights is 32". A wire chase is provided for wire concealment.

ADA Desk Note: 1) When an ADA unit is used on one end of an adult height circulation desk, an elementary finished end panel should be ordered for that end. 2) When an ADA unit is placed between other adult units the work surface is captured rather than continuous.

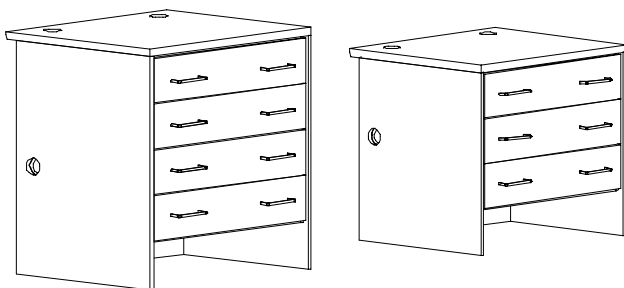
Catalog #	Description	Height"	Width"	Depth"	Price
CDU-3221	ADA max height 32"H	32	72	36	



Single Drawer Knee Space Unit

The inside dimensions of the unit are 34"W x 27-1/2"D. The unit is supplied with a 31-1/2"W x 18"D x 5-1/4"H storage drawer.

Catalog #	Description	Height"	Width"	Depth"	Price
CDU-3236	Elementary Height	32	36	30	
CDU-3936	Adult Height	39	36	30	

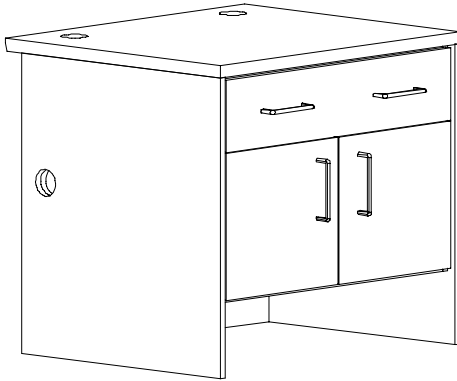


Single Drawer Stack Unit

This unit will consist of a stack of full width drawers 31-1/2"W x 18"D x 5-1/4"H. The adult height units will receive four (4) drawers and the elementary unit will receive three (3) drawers.

Catalog #	Description	Height"	Width"	Depth"	Price
CDU-3222	Elementary Height	32	36	30	
CDU-3922	Adult Height	39	36	30	

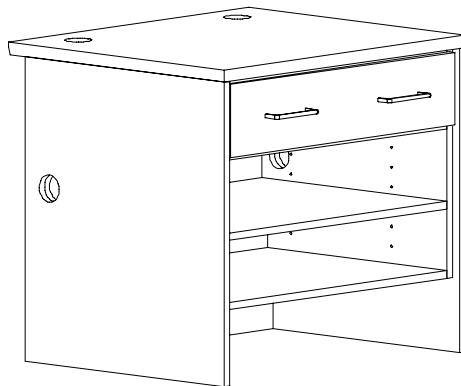
Circulation Desks



Single Drawer Cupboard Unit

The unit is supplied with a 31-1/2"W x 5-1/4"H x 18"D storage drawer over cupboard storage space. The adult height unit is supplied with two (2) adjustable shelves. The elementary height unit is supplied with one (1) adjustable shelf. Shelf is 34-1/4"W x 23"D x 3/4"T

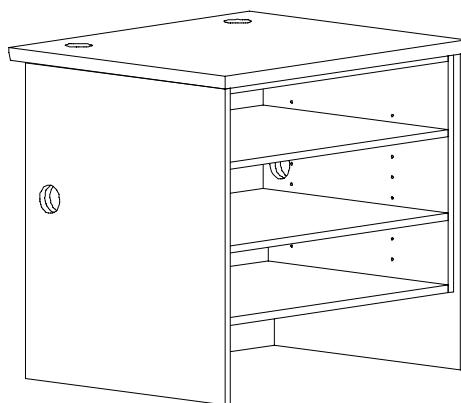
Catalog #	Description	Height"	Width"	Depth"	Price
CDU-3237	Elementary Height	32	36	30	
CDU-3937	Adult Height	39	36	30	



Single Drawer Open Shelf Unit

Unit is supplied with a full-width, 31-1/2"W x 5-1/4"H x 18"D storage drawer over open shelving. Adult units are supplied with two full-depth, adjustable shelves. The elementary height unit is supplied with one full-depth, adjustable shelf. Shelf size is 32-1/4"W x 23"D x 3/4"T

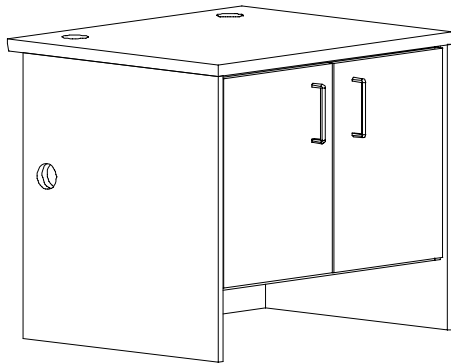
Catalog #	Description	Height"	Width"	Depth"	Price
CDU-3246	Elementary Height	32	36	30	
CDU-3946	Adult Height	39	36	30	



Open Shelf Unit

Adult units will be supplied with two full-depth, adjustable shelves. Elementary height units will be supplied with one shelf. Shelf size is 32-1/4"W x 23"D x 3/4"T

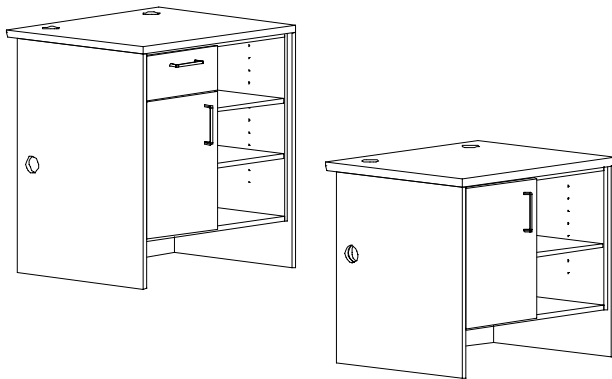
Catalog #	Description	Height"	Width"	Depth"	Price
CDU-3208	Elementary Height	32	36	30	
CDU-3908	Adult Height	39	36	30	



Cupboard Unit

Adult height units are supplied with two full-depth, adjustable shelves. Elementary height units will be supplied with one shelf. Shelf size is 32-1/4"W x 23"D x 3/4"T. Hinged doors will have one lock and door pulls.

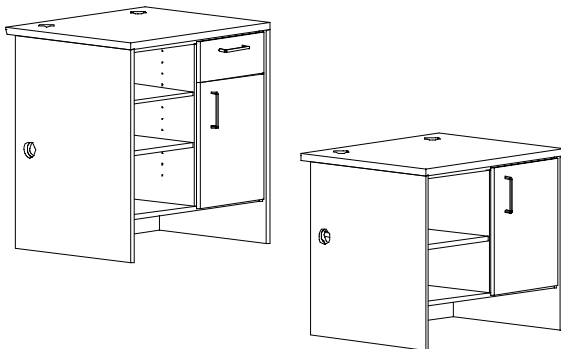
Catalog #	Description	Height"	Width"	Depth"	Price
CDU-3210	Elementary Height	32	36	30	
CDU-3910	Adult Height	32	36	30	



Left Cupboard Open Shelf Unit

Cupboard on left side, open shelves on the right. Only the adult unit will be supplied with a locking box drawer. The adult cupboard unit will have two (2) adjustable shelves; the elementary unit will only be supplied with one (1) adjustable shelf (no drawer). In the open space, the adult unit will be supplied with two (2) adjustable shelves, the elementary height unit will be supplied with one (1) adjustable shelf. The shelf is 15-5/8"W x 23"D x 3/4"T. Box drawer will be 14-7/8"W x 18"D x 5-1/4"H.

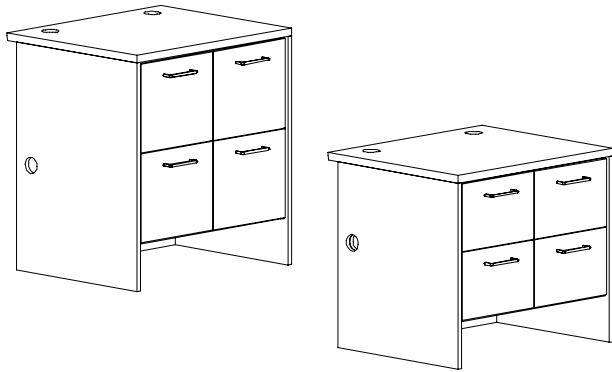
Catalog #	Description	Height"	Width"	Depth"	Price
CDU-3243	Elementary Height	32	36	30	
CDU-3943	Adult Height	39	36	30	



Right Cupboard Open Shelf Unit

Cupboard on right side, open shelves on the left. Only the adult unit only will be supplied with a locking box drawer on right side. The adult cupboard unit will have two (2) adjustable shelves; the elementary unit will only be supplied with one (1) adjustable shelf (no drawer). In the open space, the adult unit will be supplied with two (2) adjustable shelves, the elementary height unit will be supplied with one (1) adjustable shelf. The shelf is 15-5/8"W x 23"D x 3/4"T. Box drawer will be 14-7/8"W x 18"D x 5-1/4"H.

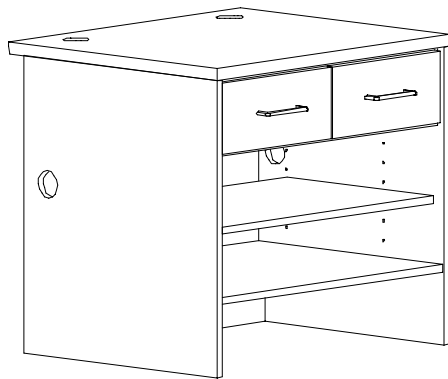
Catalog #	Description	Height"	Width"	Depth"	Price
CDU-3242	Elementary Height	32	36	30	
CDU-3942	Adult Height	39	36	30	



Double Drawer Stack Unit

This unit consist of a double stack of drawers. The adult height unit takes four file drawers. The elementary has two box drawers and two file drawers. The box drawer is 14-7/8"W x 18"D x 5-1/4"H. The file drawer is 14-7/8"W x 18"D x 10.5"H.

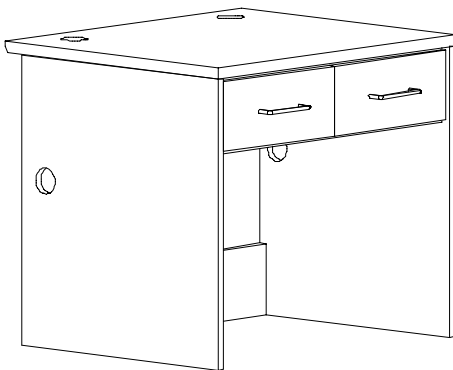
Catalog #	Description	Height"	Width"	Depth"	Price
CDU-3229	Elementary Height	32	36	30	
CDU-3929	Adult Height	39	36	30	



Double-Drawer Open Shelf Unit

Each unit is supplied with two equal-width drawers over open shelving. Adult height units will be supplied with two full-depth adjustable shelves. Elementary height units will be supplied with one shelf. The box drawer is 14-7/8"W x 18"D x 5-1/4"H. The shelf is 32-1/4"W x 23"D x 3/4"T. Top right drawer will receive a lock unless otherwise specified.

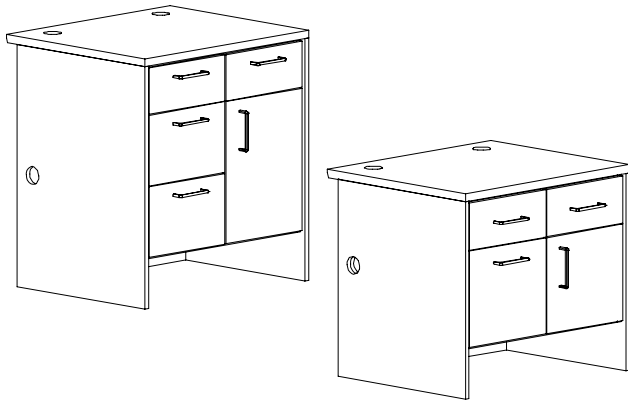
Catalog #	Description	Height"	Width"	Depth"	Price
CDU-3207	Elementary Height	32	36	30	
CDU-3907	Adult Height	39	36	30	



Double Drawer Knee Space Unit

Each unit is supplied with two equal-width drawers, each measuring 14-7/8"W x 18"D x 5-1/4"H. Inside dimensions are 34"W x 27-1/2"D. Top right drawer will receive a lock unless otherwise specified.

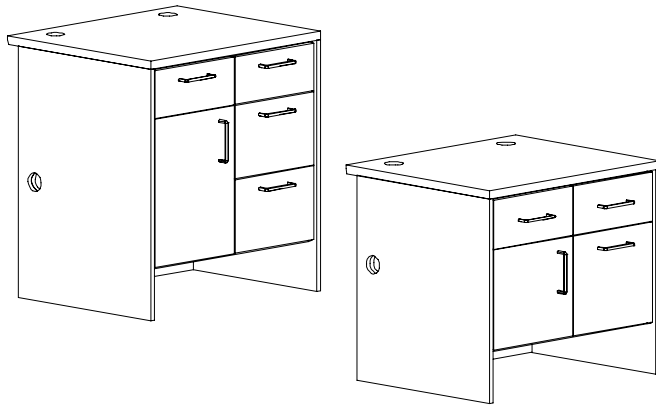
Catalog #	Description	Height	Width	Depth	Price
CDU-3209	Elementary Height	32	36	30	
CDU-3909	Adult Height	39	36	30	



Double Drawer, *Right* Cupboard & File Unit

Cupboard on right, file drawer on left. Each adult height unit will have 2 box drawers, 2 file drawers and 2 adjustable shelves inside the cupboard. Elementary height units have 1 box drawer, 1 file drawer and 1 adjustable shelf. The top drawers and cupboard door will have a lock. The box drawers are 14-7/8”W x 18”D x 5-1/4”H. The file drawers are 14-7/8”W x 18”D x 10-1/2”H. The shelf is 15-5/8”W x 23”D x 3/4”T.

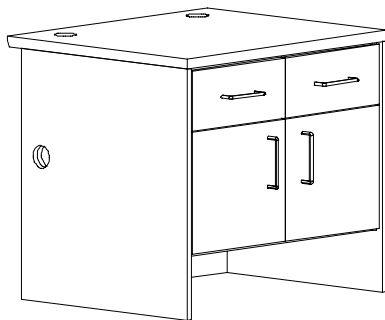
Catalog #	Description	Height"	Width"	Depth"	Price
CDU-3241	Elementary Height	32	36	30	
CDU-3941	Adult Height	39	36	30	



Double Drawer, *Left* Cupboard & File Unit

Cupboard on left, file drawer on right. Each adult height unit will have 2 box drawers, 2 file drawers and 2 adjustable shelves inside the cupboard. Elementary height units have 1 box drawer, 1 file drawer and 1 adjustable shelf. The top drawers and cupboard door will have a lock. The box drawers are 14-7/8”W x 18”D x 5-1/4”H. The file drawers are 14-7/8”W x 18”D x 10-1/2”H. The shelf is 15-5/8”W x 23”D x 3/4”T.

Catalog #	Description	Height"	Width"	Depth"	Price
CDU-3254	Elementary Height	32	36	30	
CDU-3954	Adult Height	39	36	30	

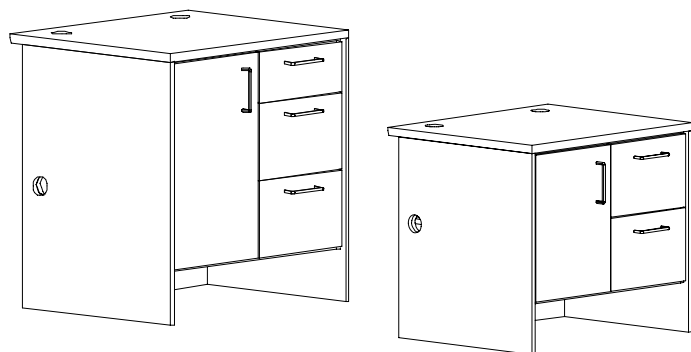


Double Drawer Cupboard Unit

Unit is supplied with two equal-width storage drawers, each measuring 14-7/8”W x 18”D x 5-1/4”H. Right side drawer and doors will have locks unless otherwise specified. These drawers will be mounted over a cupboard storage space. The adult height units are supplied with two (2) adjustable shelves. The elementary height unit is supplied with one (1) adjustable shelf. The shelf is 32-1/4”W x 23”D x 3/4”T.

Catalog #	Description	Height"	Width"	Depth"	Price
CDU-3238	Elementary Height	32	36	30	
CDU-3938	Adult Height	39	36	30	

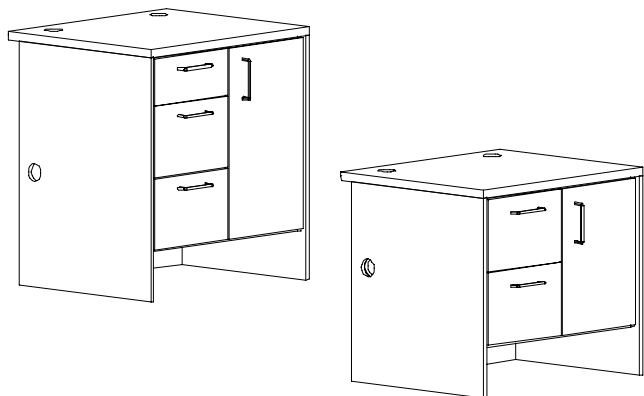
Circulation Desks



Left Cupboard File Drawer Unit

Cupboard on left side, drawers on right side. Each adult height unit will have two (2) file drawers, one (1) box drawers and two (2) adjustable shelves in the cupboard. Elementary height units have one (1) box drawer, one (1) file drawer and one (1) adjustable shelf in the cupboard. The top drawer and cupboard door will receive a lock. The box drawers are 14-7/8”W x 18”D x 5-1/4”H. The file drawers are 14-7/8”W x 18”D x 10-1/2”H. The shelf is 15-5/8”W x 23”D x 3/4”T.

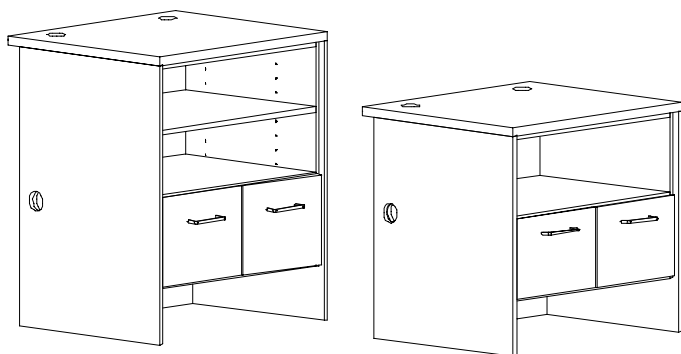
Catalog #	Description	Height"	Width"	Depth"	Price
CDU-3240	Elementary Height	32	36	30	
CDU-3940	Adult Height	39	36	30	



Right Cupboard File Drawer Unit

Cupboard on right side, drawers on left side. Each adult height unit will have two (2) file drawers, one (1) box drawers and two (2) adjustable shelves in the cupboard. Elementary height units have one (1) box drawer, one (1) file drawer and one (1) adjustable shelf in the cupboard. The top drawer and cupboard door will receive a lock. The box drawers are 14-7/8”W x 18”D x 5-1/4”H. The file drawers are 14-7/8”W x 18”D x 10-1/2”H. The shelf is 15-5/8”W x 23”D x 3/4”T.

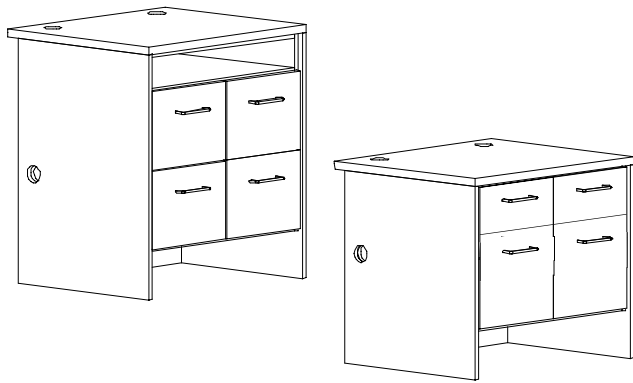
Catalog #	Description	Height"	Width"	Depth"	Price
CDU-3239	Elementary Height	32	36	30	
CDU-3939	Adult Height	39	36	30	



Two-Drawer File Open Top Shelf Unit

Each unit is an Open Shelf Unit with two letter file drawers. Adult height units are supplied with one full-depth, adjustable shelves. Elementary height units will not have an adjustable shelf. The shelf is 32-1/4”W x 23”D x 3/4”T. The file drawer is 14-7/8”W x 18”D x 10-1/2”H.

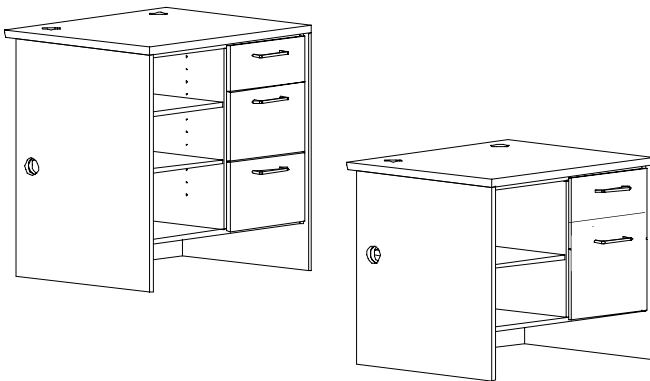
Catalog #	Description	Height"	Width"	Depth"	Price
CDU-3914	Elementary Height	32	36	30	
CDU-3214	Adult Height	39	36	30	



File Drawer Open Top Unit

The adult unit is supplied with four (4) file drawers with an open shelf space above them. The elementary unit is supplied with two (2) box drawers and two (2) file drawers with no open space above them. The box drawers are 14-7/8"W x 18"D x 5-1/4"H. The file drawers are 14-7/8"W x 18"D x 10-1/2"H. Top right drawer receive lock unless otherwise specified.

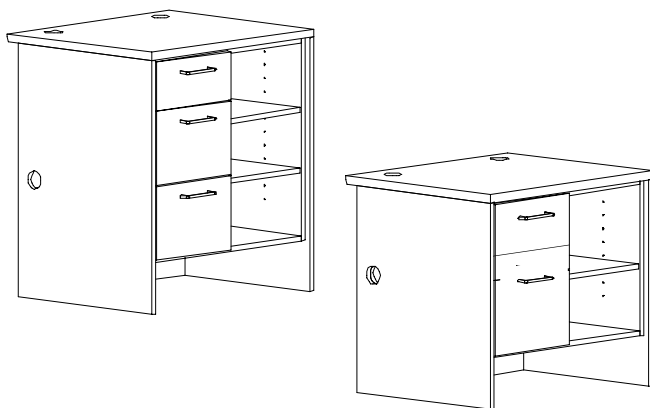
Catalog #	Description	Height"	Width"	Depth"	Price
CDU-3215	Elementary Height	32	36	30	
CDU-3915	Adult Height	39	36	30	



Right File Drawer Open Shelf Unit

Right side file drawers, left side open shelf. Adult height unit will have one (1) box drawer, (2) file drawers and (2) adjustable shelves. Elementary height units will have (1) box drawer, (1) file drawer and (1) adjustable shelf. The top drawer on both heights will receive a lock. The box drawers are 14-7/8"W x 18"D x 5-1/4"H. The file drawers are 14-7/8"W x 18"D 10-1/2"H. The shelf is 15-5/8"W x 23"D x 3/4"T

Catalog #	Description	Height"	Width"	Depth"	Price
CDU-3245	Elementary Height	32	36	30	
CDU-3945	Adult Height	39	36	30	

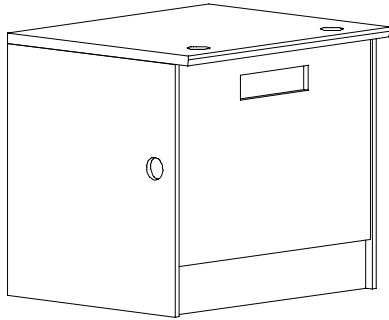


Left File Drawer Open Shelf Unit

Left side file drawers, right side open shelf. Adult height unit will have one (1) box drawer, (2) file drawers and (2) adjustable shelves. Elementary height units will have (1) box drawer, (1) file drawer and (1) adjustable shelf. The top drawer on both heights will receive a lock. The box drawers are 14-7/8"W x 18"D x 5-1/4"H. The file drawers are 14-7/8"W x 18"D 10-1/2"H. The shelf is 15-5/8"W x 23"D x 3/4"T

Catalog #	Description	Height"	Width"	Depth"	Price
CDU-3244	Elementary Height	32	36	30	
CDU-3944	Adult Height	39	36	30	

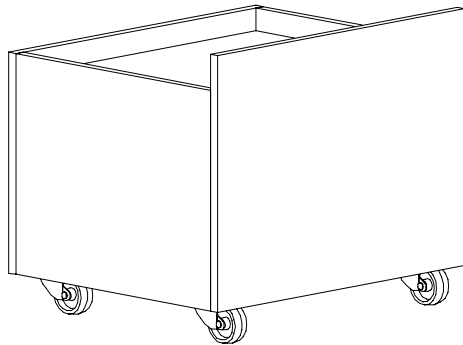
Circulation Desks



Book Return Unit

Inside dimensions are 34"W x 27-1/2"D. The front panel will have a 3"H x 12"W book-return slot, fully edgebanded, with an internal wood chute so as to allow gentle deposit of books into book truck. A rear-mounted 3/4"T edgebanded wood book chute allows for the gentle deposit of reading materials. (See below for depressible book trucks - BT-D39 for adult-height units or BT-D32 for elementary-height units).

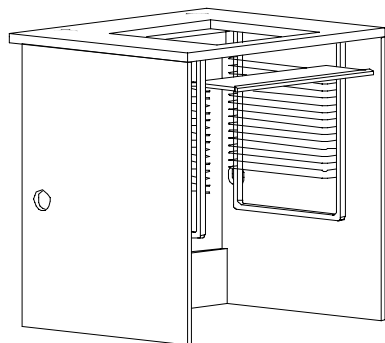
Catalog #	Description	Height"	Width"	Depth"	Price
CDU-3205	Elementary Height	32	36	30	
CDU-3905	Adult Height	39	36	30	



Depressible Book Truck

Each unit will have a depressible platform that will hold approximately 70 books. Each unit will have four 3" swivel casters mounted directly to a 3/4"T red oak veneer plywood bottom using 5/16" dia bolts with are received on the top size of plywood via T-nuts.

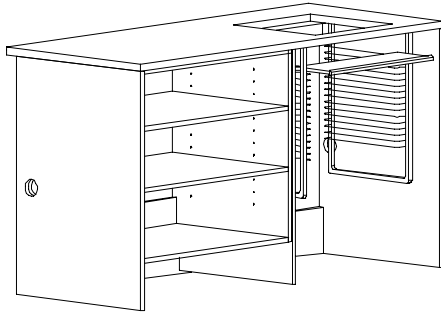
Catalog #	Description	Height"	Width"	Depth"	Price
BT-D32	Elementary height	22	26	22	
BT-D39	Adult height	29	26	22	



NOVA Unit

Each unit will have a NOVA assembly mounted to the underside of the work surface to accommodate a computer monitor, and pullout keyboard tray. A corresponding 18-1/4"L x 18-1/4"W viewport will be machined into the continuous top to accommodate monitor viewing.

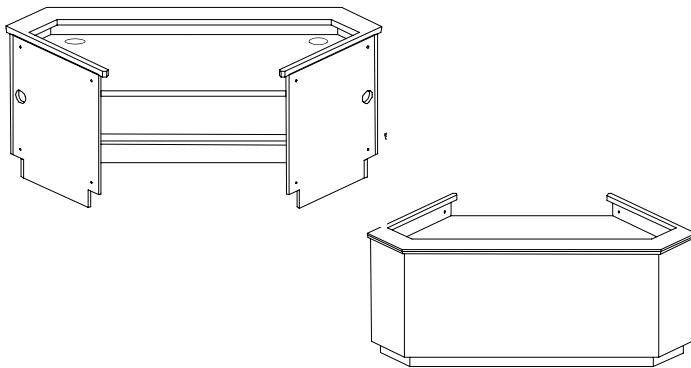
Catalog #	Description	Height"	Width"	Depth"	Price
CDU-3230	Elementary Height	32	36	30	
CDU-3930	Adult Height	39	36	30	



NOVA Open Shelf Unit

Each unit will have a NOVA assembly mounted to the underside of the work surface to accommodate a computer monitor, and pullout keyboard tray. A corresponding 18-1/4”L x 18-1/4”W viewport will be machined into the work surface to accommodate monitor viewing. Adult height units will have two (2) adjustable shelves and elementary height units will have one (1) adjustable shelf. The shelf is 34-1/4”W x 23”D x 3/4”T

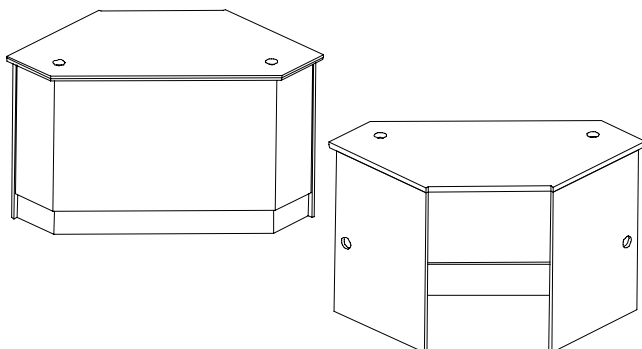
Catalog #	Description	Height"	Width"	Depth"	Price
CDU-3231	Elementary Height	32	72	30	
CDU-3931	Adult Height	39	72	30	



Corner Patron Desk Unit

Each unit is designed to provide a 90-degree transition in any desk arrangement, while providing a corner work space with a recessed work surface and patron ledge. The recessed work surface will be mounted at 29”H using metal cleats. The working width for staff-side accessibility will be 35”W. This unit is supplied with two (2) work surface grommets located at each end unless otherwise specified. The patron ledge is 6” deep.

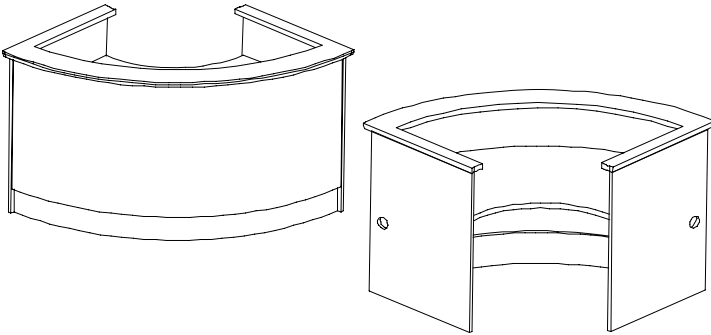
Catalog #	Description	Height"	Width"	Depth"	Price
CDU-3232	Elementary Height	32	78-1/2	30	
CDU-3932	Adult Height	39	78-1/2	30	



Corner Desk Unit

Each unit is designed to provide a 90-degree transition in any desk arrangement. The working width for staff-side accessibility will be 35”W. This unit is supplied with two (2) work surface grommets located on the patron side at each end unless otherwise specified.

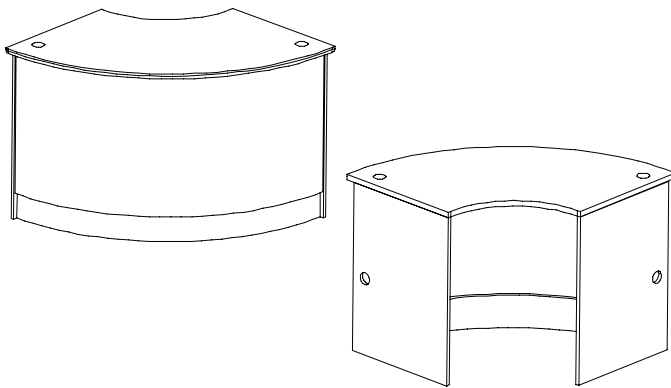
Catalog #	Description	Height"	Width"	Depth"	Price
CDU-3233	Elementary Height	32	78-1/2	30	
CDU-3933	Adult Height	39	78-1/2	30	



90 Degree Curved Patron Desk Unit

Each unit is designed to provide a radiused 90-degree transition in any desk arrangement, while providing a corner work space with a recessed work surface and patron ledge. The recessed work surface will be mounted at 29"H using metal cleats. The working width for staff-side accessibility will be 35"W. This unit is supplied with two (2) work surface grommets located at each end unless otherwise specified. The patron ledge is 6"D.

Catalog #	Description	Height"	Width"	Depth"	Price
CDU-3250	Elementary Height	32	78-1/2	30	
CDU-3950	Adult Height	39	78-1/2	30	



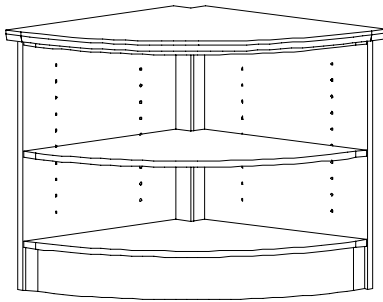
90 Degree Curved Desk Unit

Each unit is designed to provide a radiused 90-degree transition in any desk arrangement, while providing a corner work space. The working width for staff-side accessibility will be 35"W. This unit is supplied with two (2) work surface grommets located at each end unless otherwise specified.

Catalog #	Description	Height"	Width"	Depth"	Price
CDU-3251	Elementary Height	32	78-1/2	30	
CDU-3951	Adult Height	39	78-1/2	30	

It is possible to store the mind with a million facts
and still be entirely uneducated.

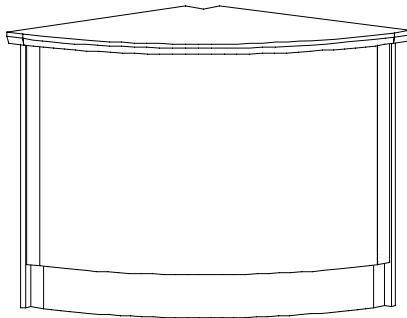
Alec Bourne



90 Degree Radiused Open Shelf Corner Unit

Each unit will be triangular, with a radiused, open-face design and will be used to form a 90-degree transition in any desk arrangement. Adult height units will be supplied with two (2) adjustable shelves and elementary height units will be supplied with one (1) adjustable shelf. Open shelf corner units do not provide for wire access. Shelves will be accessible from patron side of circulation desk.

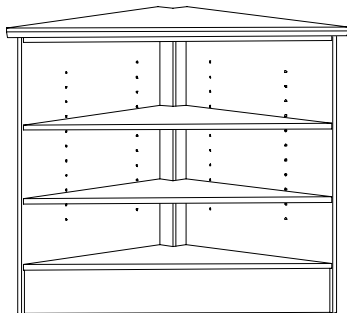
Catalog #	Description	Height"	Width"	Depth"	Price
CDU-3228	Elementary Height	32	33	33	
CDU-3928	Adult Height	39	33	33	



90 Degree Radiused Closed Corner Unit

Each unit will be triangular, with a radiused, closed-face design and will be used to form a 90-degree transition in any desk arrangement. This unit is supplied with an internal wire manager unless otherwise specified.

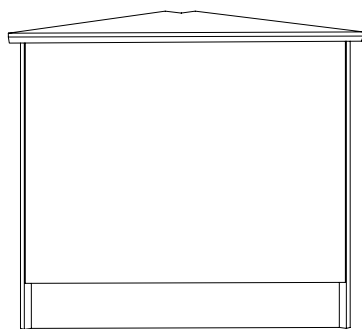
Catalog #	Description	Height"	Width"	Depth"	Price
CDU-3226	Elementary Height	32	33	33	
CDU-3926	Adult Height	39	33	33	



90 Degree Flat-Front Open Shelf Corner Unit

Each unit will be triangular with a flat open-front design and will be used to form a 90-degree transition in any desk arrangement. Each unit will have one (1) fixed base shelf and adjustable shelves according to unit height. Adult units will be supplied with two (2) adjustable shelves and elementary height units will be supplied with one (1) adjustable shelf. Shelves will be accessible from patron side of circulation desk. Open shelf corner units do not provide for wire access.

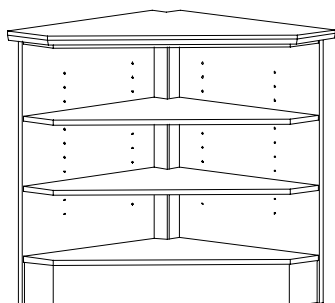
Catalog #	Description	Height"	Width"	Depth"	Price
CDU-3223	Elementary Height	32	33	33	
CDU-3923	Adult Height	39	33	33	



90 Degree Flat Front Closed Corner Unit

Each unit will be triangular with a flat closed -front design and will be used to form a 90-degree transition in any desk arrangement. This unit is supplied with an internal wire manager unless otherwise specified.

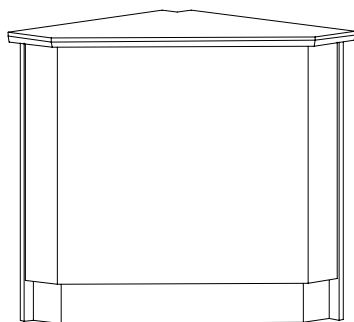
Catalog #	Description	Height"	Width"	Depth"	Price
CDU-3252	Elementary Height	32	33	33	
CDU-3952	Adult Height	39	33	33	



90 Degree Open Shelf Corner Unit

Each unit will be triangular with an angled open-front design and will be used to form a 90-degree transition in any desk arrangement. Each unit will have one (1) fixed base shelf and adjustable shelves according to unit height. Adult height units will be supplied with two (2) adjustable shelves and elementary-height units will be supplied with one (1) adjustable shelf. Shelves will be accessible from patron side of circulation desk. Open shelf corner units do not provide for wire access.

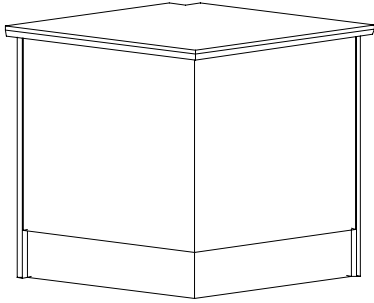
Catalog #	Description	Height	Width	Depth	Price
CDU-3217	Elementary Height	32	33	33	
CDU-3917	Adult Height	39	33	33	



90 Degree Closed Corner Unit

Each unit will be triangular with a angled, closed-face design and will be used to form a 90-degree transition in any desk arrangement. This unit is supplied with an internal wire manager unless otherwise specified.

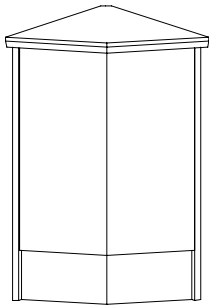
Catalog #	Description	Height	Width	Depth	Price
CDU-3216	Elementary height	32	33	33	
CDU-3916	Adult height	39	33	33	



Square Closed Corner Unit

Each unit will be square, with a closed-face design and will be used to form a 90-degree transition in any desk arrangement. This unit is supplied with an internal wire manager unless otherwise specified.

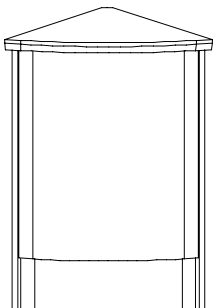
Catalog #	Description	Height"	Width"	Depth"	Price
CDU-3224	Elementary Height	32	33	33	
CDU-3924	Adult Height	39	33	33	



45 Degree Closed Corner Unit

Each unit will be triangular, with angled, closed-face design and will be used to form a 45-degree transition in any desk arrangement. This unit is supplied with an internal wire manager unless otherwise specified.

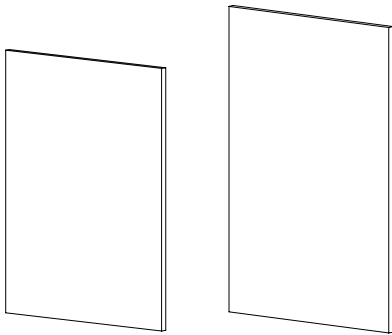
Catalog #	Description	Height"	Width"	Depth"	Price
CDU-3225	Elementary Height	32	24-3/4	30	
CDU-3925	Adult Height	39	24-3/4	30	



45 Degree Radiused Closed Corner Unit

Each unit will be triangular, with a radiused, closed-face design and will be used to form a 45-degree transition in any desk arrangement. This unit is supplied with an internal wire manager unless otherwise specified.

Catalog #	Description	Height"	Width"	Depth"	Price
CDU-3227	Elementary Height	32	24-3/4	30	
CDU-3927	Adult Height	39	24-3/4	30	



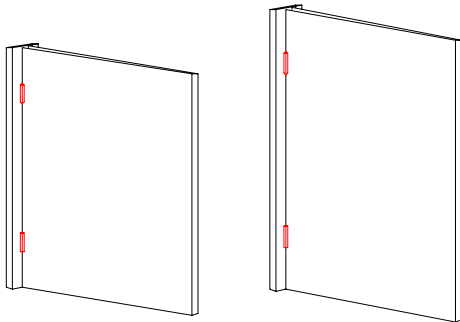
Finished End Panel

Each panel will be constructed using banded, matching veneer-core plywood.

All fully assembled circulation desks will need two (2) finished end panels unless placement is permanently next to a wall or other structure that hides the unfinished side of the service unit on the end.

ADA Desk Note: When the adult version is used on one end of the circulation desk, an elementary finished end panel should be ordered for that end.

Catalog #	Description	Height"	Width"	Depth"	Price
CDU-3218	Elementary height, standard depth	31-3/4	1	30-1/2	
CDU-3918	Adult height, standard depth	38-3/4	1	30-1/2	



Swinging Gate

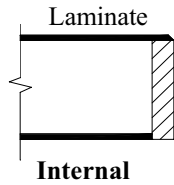
Gates can be mounted to walls or finished end panels on the circulation desk. Gates will be constructed using banded, matching veneer-core plywood in widths of up to 36". Single-action gates are supplied with stop moulding. **The desired width of the gate and hinge type (single or double action) MUST BE quoted in advance and specified on the order.**

Catalog #	Description	Height"	Width"	Depth"	Price
CDU-1G 32	Elementary height, single action hinge	32	Specify	n/a	based on width
CDU-2G 32	Elementary height, double action hinge	32	Specify	n/a	based on width
CDU-1G 39	Adult height, single action hinge	39	Specify	n/a	based on width
CDU-2G 39	Adult height, double action hinge	39	Specify	n/a	based on width

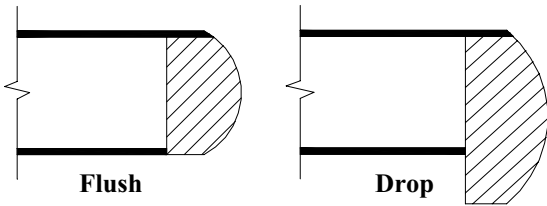
“Education is not the filling of a pail, but the lighting of a fire.”

William Butler Yeats

Planning For & Ordering Edgeband for Ultima Series



All edges *except* the Patron side of the work surface comes with a 1/4" internal solid red oak edgeband.

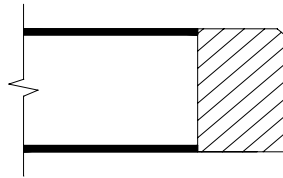


When choosing an edgeband for Patron side you can either have the edgeband placed flush with the bottom of the top or dropped below the bottom.

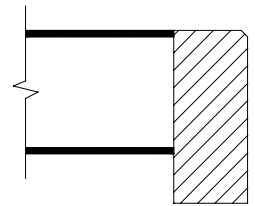
Work surfaces will be constructed with a 3/4" T solid red oak edgeband and can be ordered with any one of a variety of internal or external edgeband details.

See below for edge details for the Ultima Series.

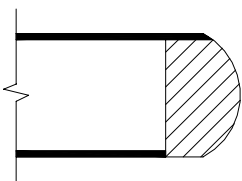
**Edge Details
for
Ultima Series**



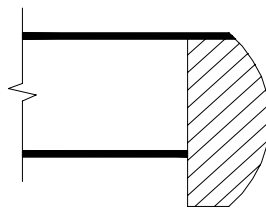
1 1/4" thick top (External)
Montana Flush



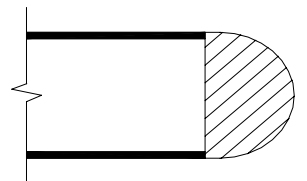
1 1/4" thick top (External)
Montana Drop



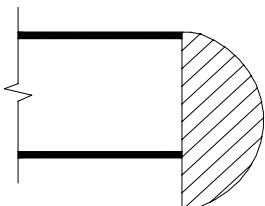
1 1/4" thick top (Internal)
Shallow Bullnose Flush



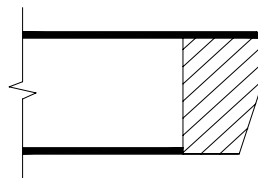
1 1/4" thick top (Internal)
Shallow Bullnose Drop



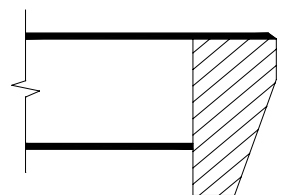
1 1/4" thick top (External)
Bullnose Flush



1 1/4" thick top (External)
Bullnose Drop



1 1/4" thick top (Internal)
Premier Flush



1 1/4" thick top (Internal)
Premier Drop

