

GENERAL SPECIFICATIONS

The *ModuFlex* Series circulation desk is designed to provide the maximum degree of flexibility of modern cabinetry. Each service unit uses the modular concept to achieve nearly any desired desk arrangement without the need for a custom top.

CONSTRUCTION AND MATERIALS

Each desk unit will be constructed from 1" thick, 7-ply veneer core plywood, with plain-sliced face veneers. Front panels will be 3/4" T rift-cut veneer matched for color to provide uniformity across the entire desk arrangement.

Each unit is constructed with a 6" high x 3/4" D toe space covered with flat black laminate on both sides. All visible panel edges will be banded with 1/2" thick eased matching hardwood. All doors, adjustable shelves, and drawer fronts will be constructed from 3/4" thick, 7-ply veneer core plywood with plain-sliced veneers.

All edges will be banded with 1/4" thick eased matching hardwood. SEE PAGE 92 FOR EDGE BAND DETAILS. Shelves will be on no greater than 2" centers supported by 1/4" shelf pins.

Each drawer box will be of English dovetail design and will be constructed using 1/2" thick solid northern grown red oak with a 1/4" thick veneer core plywood bottom. Box drawers will be 14-7/8" W x 18" D x 5-1/4" H. File drawers will be 14-7/8" W x 18" D x 10-1/2" H. Double width drawers will be 31-1/2" W x 18" D x 5-1/4" H.

Individual tops will be 1-1/4" thick and will be constructed from 1-1/8" thick particleboard with .050" high-pressure laminate on the face with .020" backer sheet on the underside of the top.

Patron edge will be banded with 3/4" solid wood edgeband per customer selection from our edgeband chart on the last page of this section. All Staff-side

edges will be internally banded with 1/4" thick solid red oak.

HARDWARE

All drawers will be constructed to an overall depth of 18" and will be mounted on 18" full-extension, ball bearing glides with a load rating of 100 pounds per pair. All locks on a given desk arrangement will be keyed identically.

All doors will be hung with 110-degree opening, self-closing Salice hinges (180-degree available if specified) and Salice Smove (tm) door cushion. Pulls for both doors and drawers will be satin chrome 5/16" diameter wire pulls. Pull substitutions may be made at customer's request.
[an upcharge may apply].

All units will be supplied with 3" grommets through the work surface and end panels with J-channel wire manager mounted under the surface.

FINISH: See page 5 for finish specifications

Visit our website at www.russwood.net

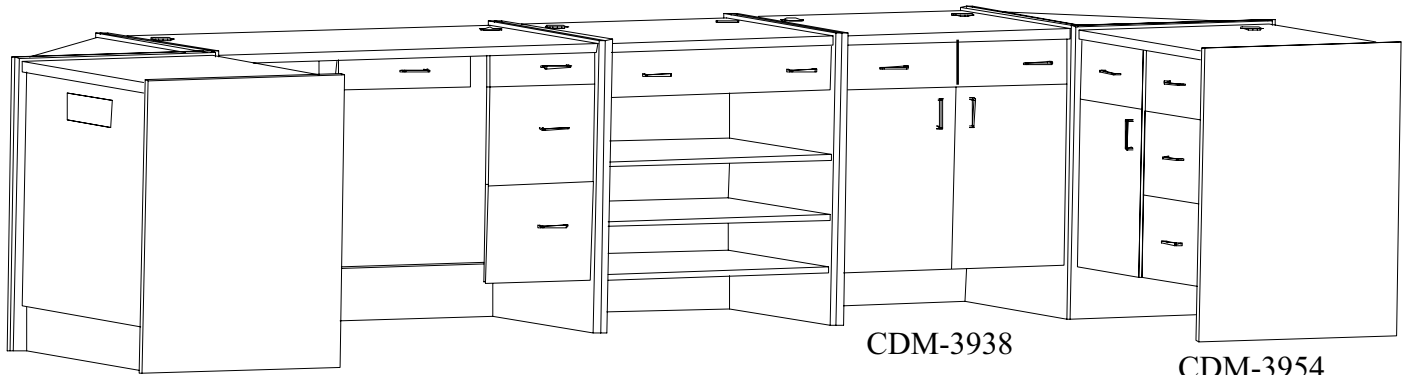
CDM-1



CDM-3905

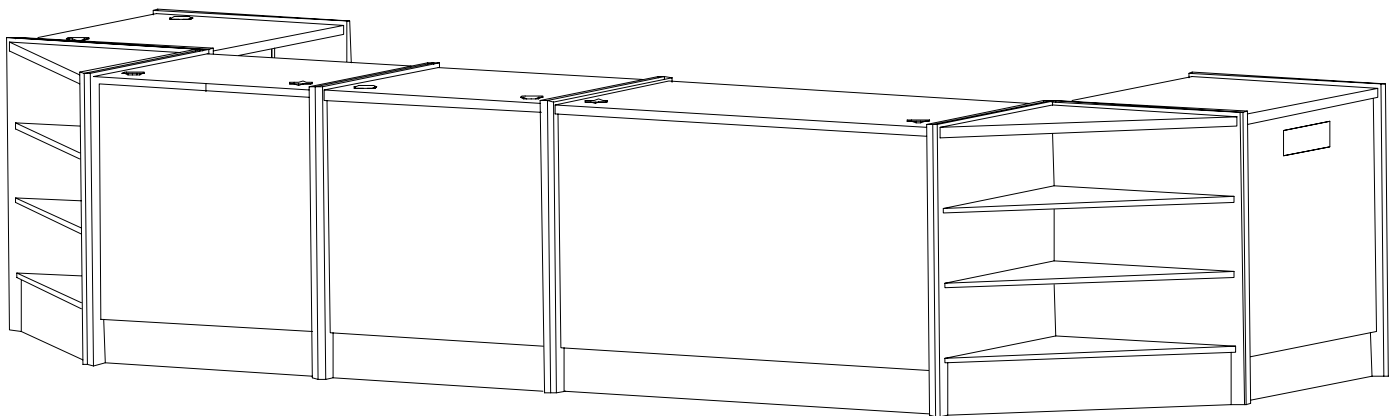
BT- D39

CDM-3903 with optional pencil drawer & pedestals



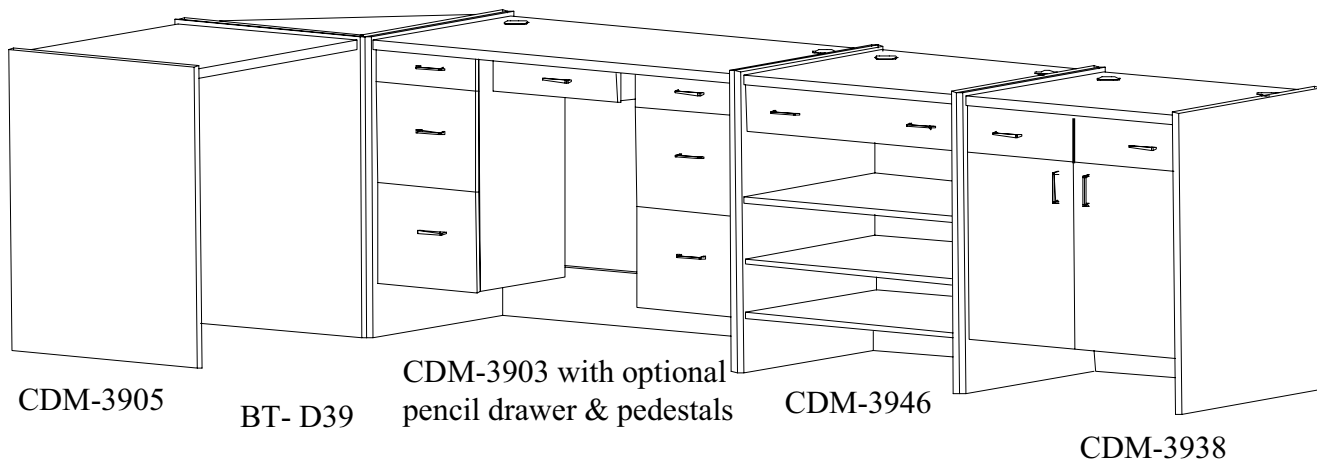
CDM-3938

CDM-3954



CDM-3923

CDM-2



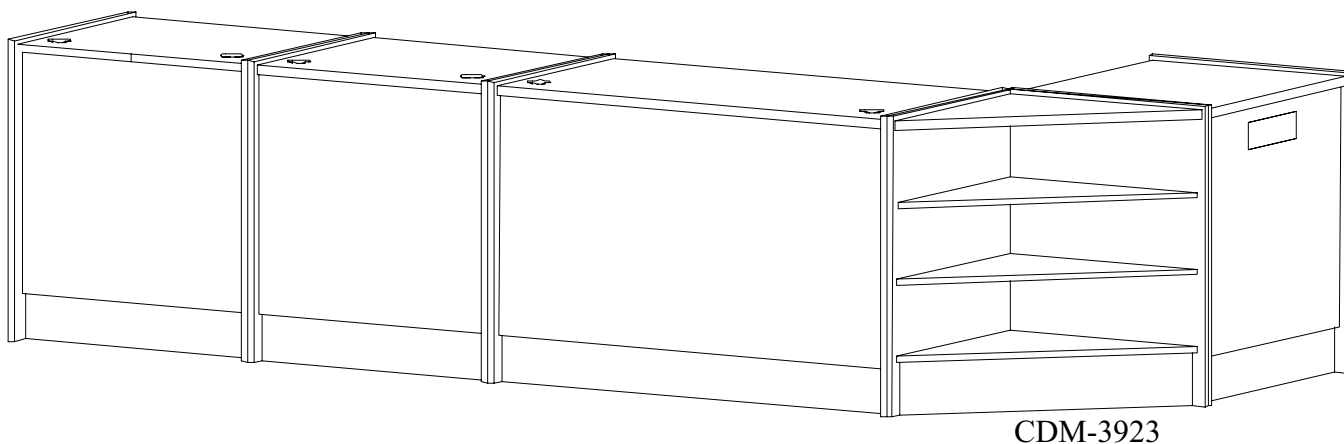
CDM-3905

BT-D39

CDM-3903 with optional pencil drawer & pedestals

CDM-3946

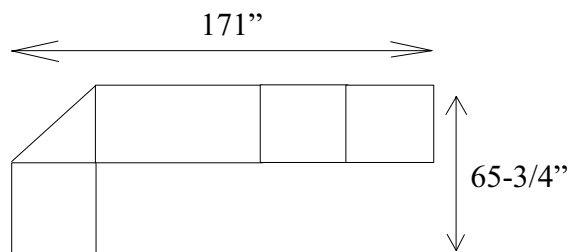
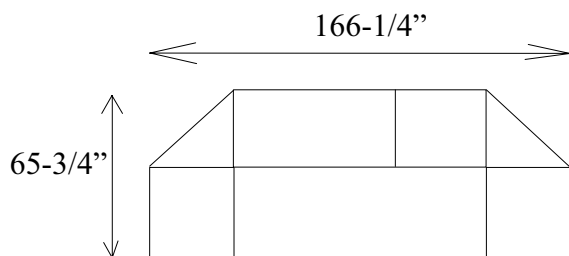
CDM-3938



CDM-3923

The *ModuFlex Series* circulation desks feature service units with permanently attached work surfaces and finished end panels for maximum re-arrangement.

The service units shown are featured as our most popular units in this series. Nearly every circulation desk we've produced include the service units shown. These popular units are a book return with depressible truck, a corner unit, a double patron unit with an optional pencil drawer and pedestal, an open shelf unit, and a cupboard unit. When arranged the desks form either in a "U" shape or a "L" shape depending on the total number of service units ordered. If you desire a service unit that is not shown here then you can choose from the many others that follow.



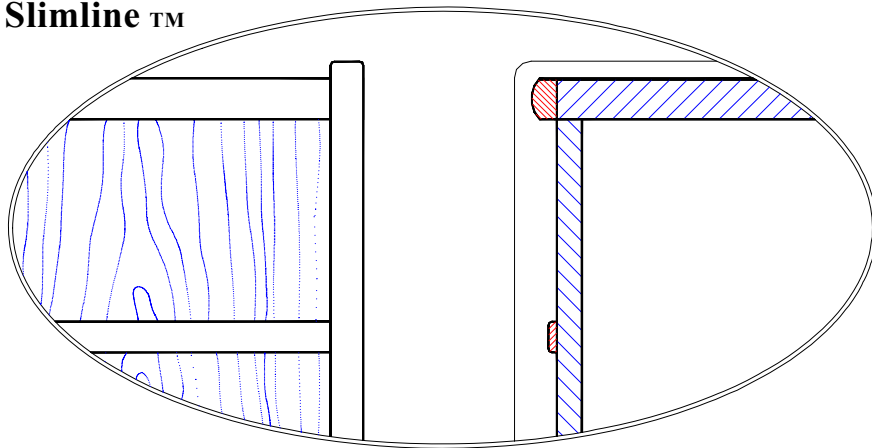
ModuFlex Series Trim Packages

These trim packages for the Ultima Series give you a wide range of design and cost options.

Ordering a trim package is simple.

1. Select the ModuFlex service units you desire in your circulation desk arrangement.
2. Determine the total number of single width or small corner units, multiply by selected package upcharge.
3. Determine the total number of double or larger corner units, multiply by selected package upcharge.
4. Add the total single and double widths to determine the total trim package upcharge.

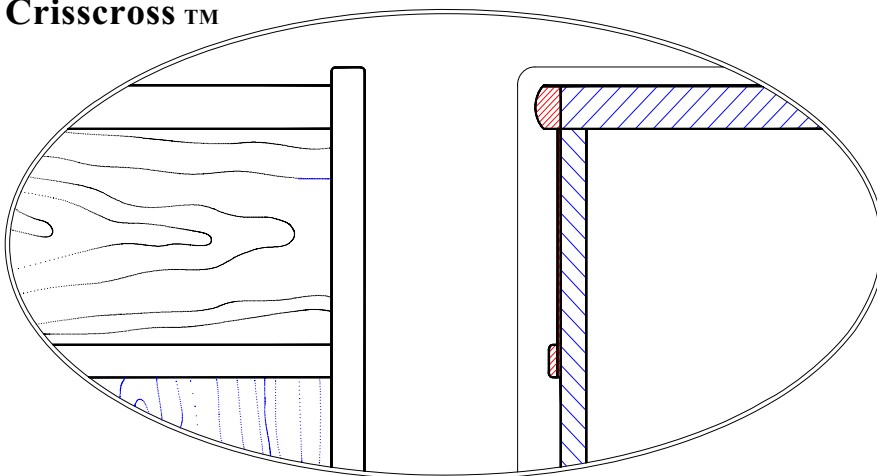
Slimline™



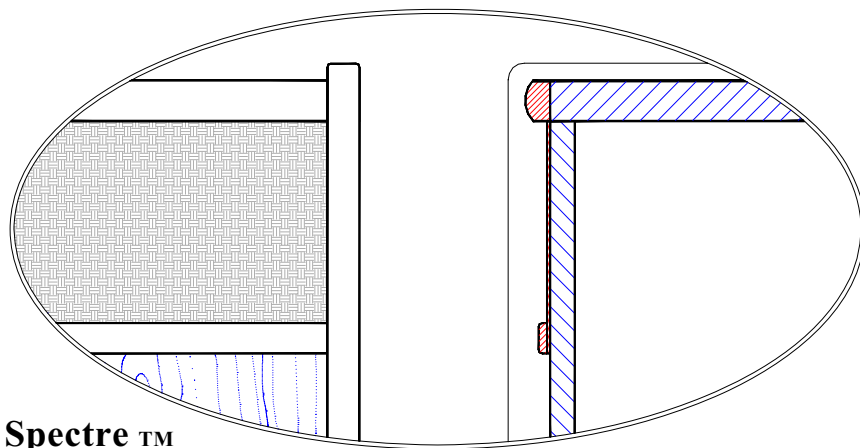
The Slimline package adds a solid red oak trim molding which is placed on the modesty (patron) panel and captured by the end panel. The molding is located 6" inches from the top. The molding is 15/16"W x 1/4" thick with 1/8" radius on the edges. Trim will be finished to match.



Crisscross™



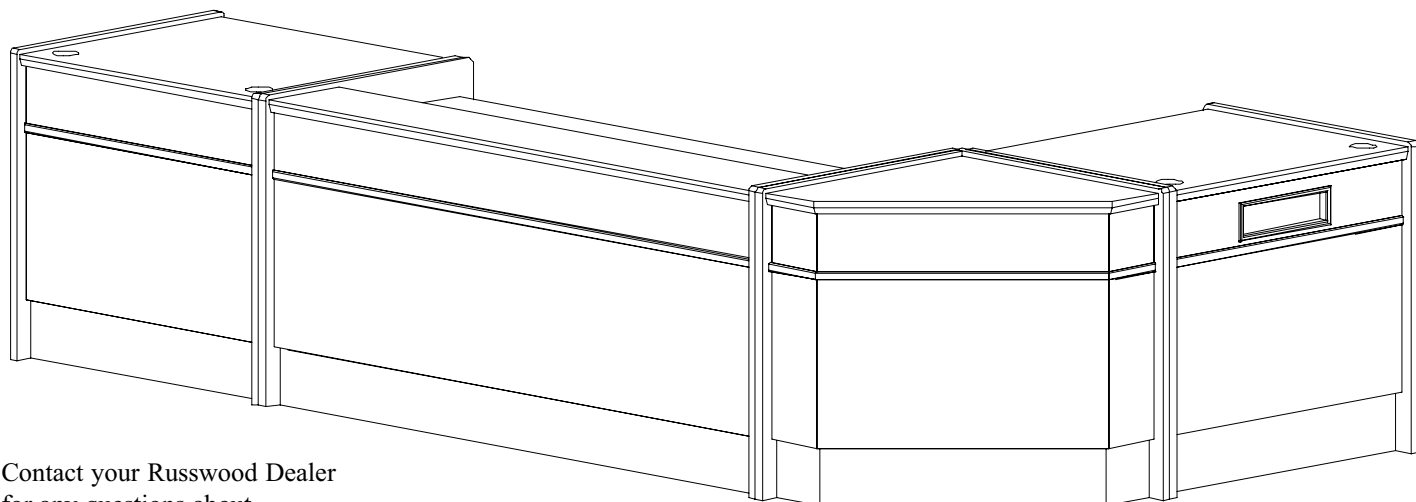
The Crisscross package adds an accent of 6"W red oak veneer placed horizontally to the modesty panel and captured by the end panels. The trim molding is the Slimline profile 15/16"W x 1/4" thick with 1/8" radius on the edges. Veneer and trim will be finished to match.



The Spectre package adds an accent of 6"W HPL laminate of your choice to the modesty panel and captured by the end panels. The trim molding is 15/16"W x 1/4" thick with 1/8" radius on the edges. Trim will be finished to match.

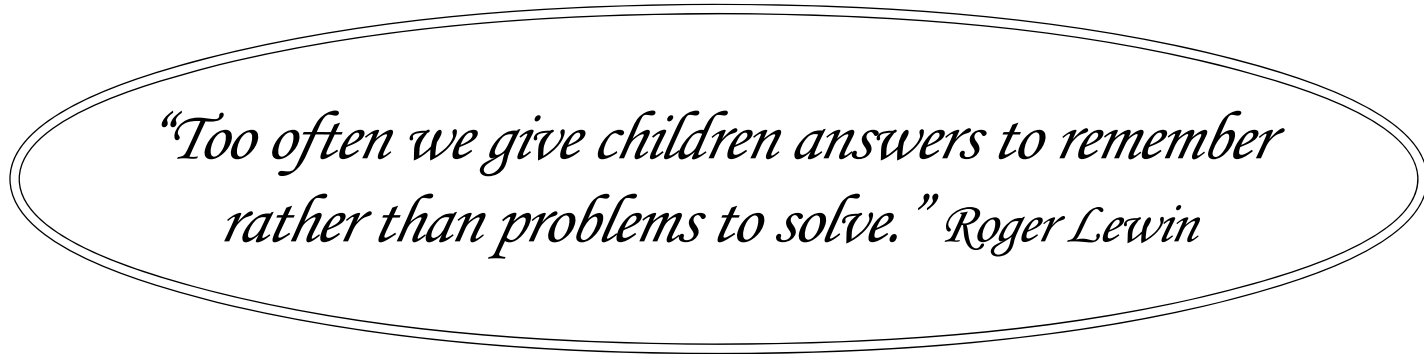
NOTE: Laminate pattern selection may be different than work surface choice. Laminate selection should also specify if laminate pattern is perpendicular or parallel to veneer grain.

Spectre™



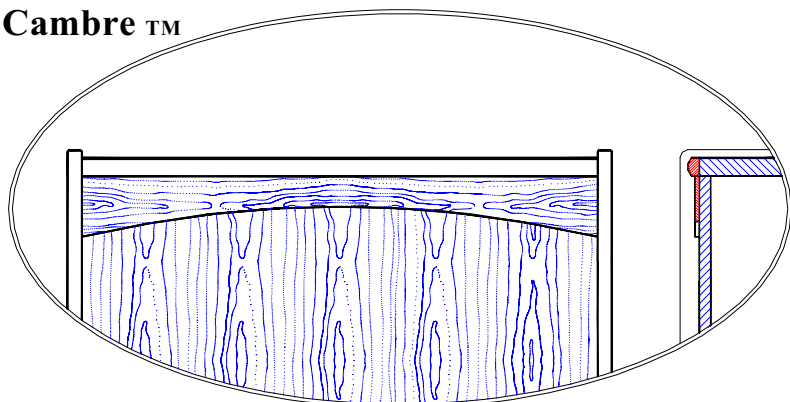
Contact your Russwood Dealer for any questions about Circ. Desk Trim Packages.

Catalog #	Description	Single W" unit upcharge \$	Double"W unit upcharge \$
SLM-1	Slimline Trim Package for ModuFlex Series		
CCM-1	Crisscross Trim Package for ModuFlex Series		
SPM-1	Spectre Trim Package for ModuFlex Series		
	To figure upcharge:	# 36"W units (x) upcharge per unit =	
		# 72"W units (x) upcharge per unit = +	
		Total upcharge \$	



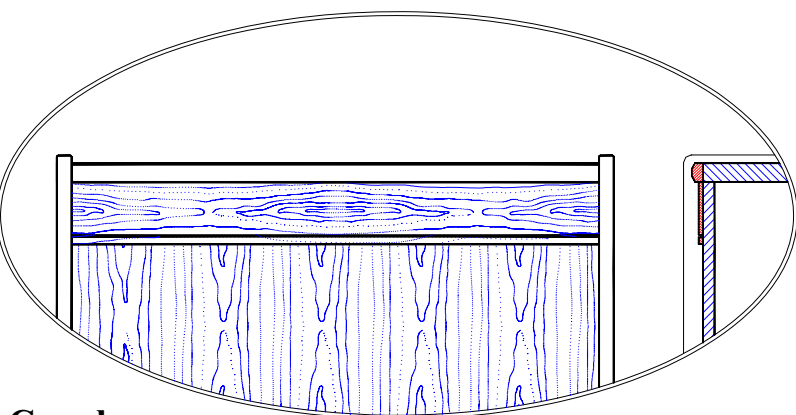
Circulation Desks

Cambre™



The Cambre package adds a 4"W x 1/4"T solid red oak trim with an arch on the bottom edges. The trim is added at the top of the modesty panel and is captured by the end panels. Arched trim will finished to match.

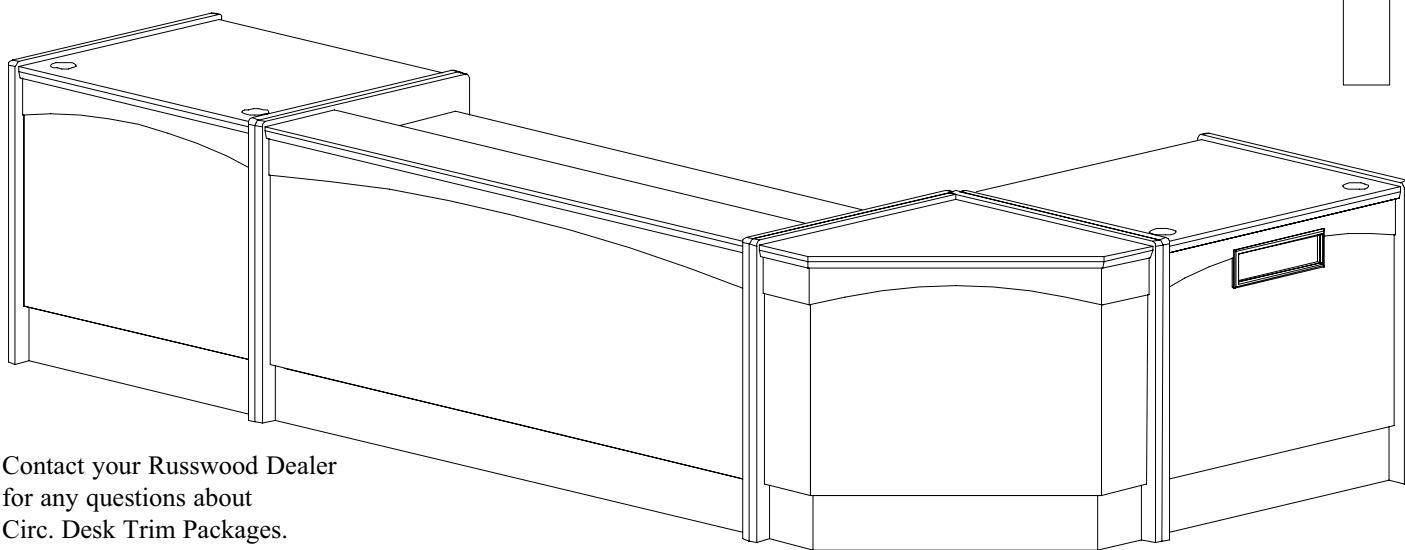
NOTE: This package is not available on radiused desk or corner units.



The Canale package adds a 4"W x 1/4"T solid red oak trim with a 1/8" x 1/8" reveal located 3/4" from the bottom of the trim. Reveal will be finished flat black. The trim is added at the top of the modesty panel and is captured by the end panels. Trim will be finished to match.

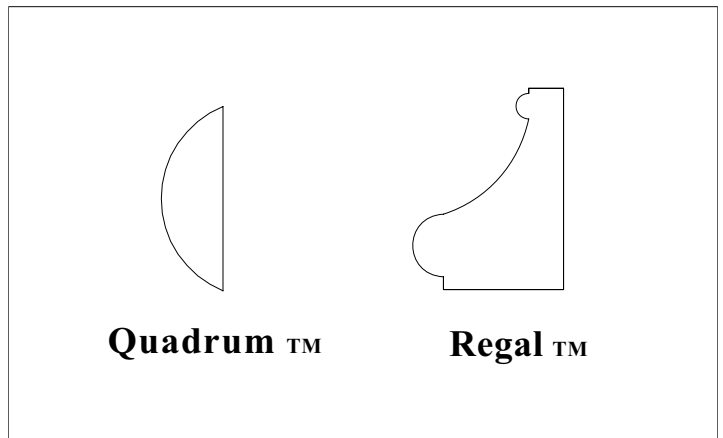
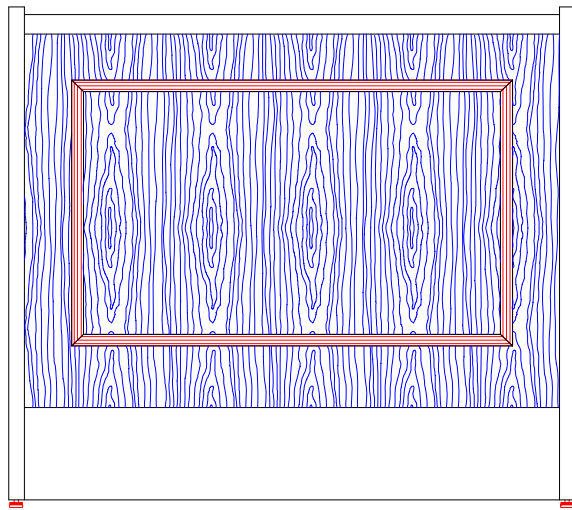
NOTE: This package is not available on radiused desk or corner units.

Canale™



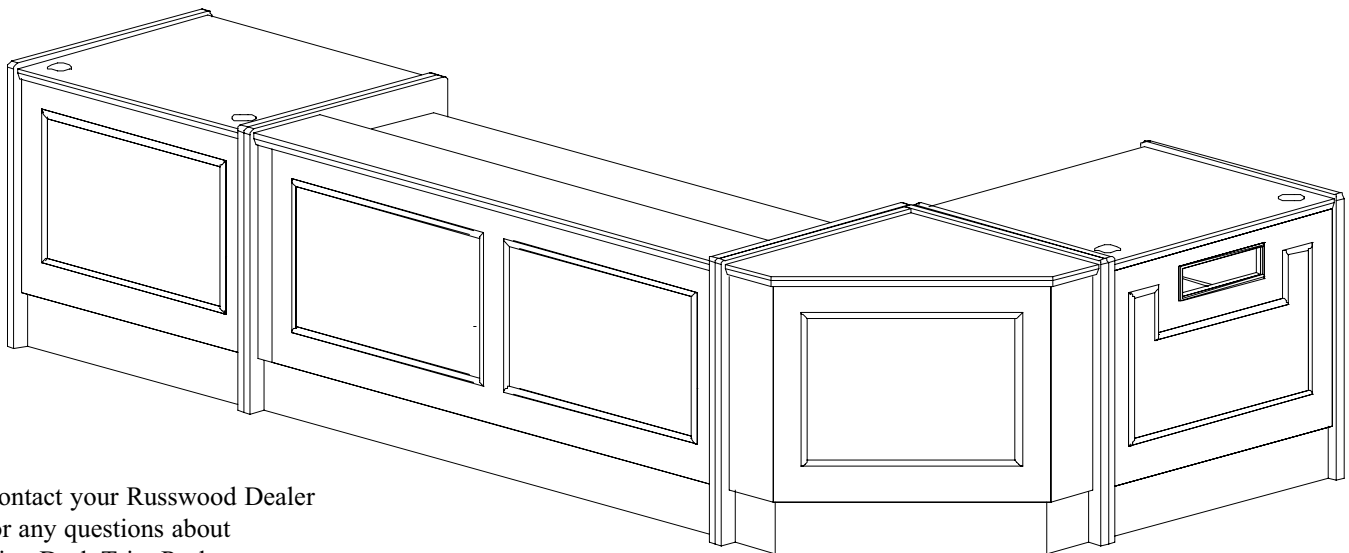
Contact your Russwood Dealer for any questions about Circ. Desk Trim Packages.

Catalog #	Description	Single W" per unit upcharge	Double W unit upcharge \$
CBM -1	Cambre Trim Package for ModuFlex Series		
CLM-1	Canale Trim Package for ModuFlex Series		
	To figure upcharge:	# 36"W units (x) upcharge per unit =	
		# 72"W units (x) upcharge per unit = +	
		Total upcharge \$	



The Quadrum and Regal packages can be applied to any flat modesty panel or end panel. The treatment forms a rectangle that is about 3" from all edges. The trim package comes with the choice of two moldings. The Quantum and Regal edge details of these two moldings can be seen above. Note: this treatment is not available on radius units. On 36" circulation desks the modesty panels receives one such rectangle while a 72" unit would receive two such rectangles

NOTE: The Quadrum and Regal packages are not available on radiused desk or corner units.



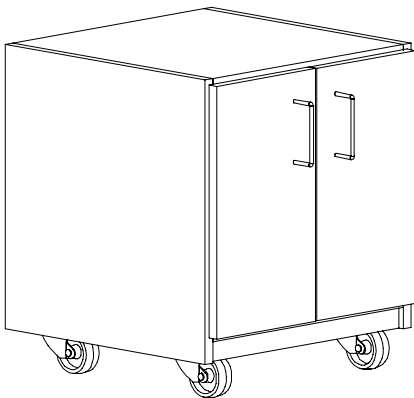
Contact your Russwood Dealer for any questions about Circ. Desk Trim Packages.

Catalog #	Description	Single W" unit upcharge	Double W" unit upcharge
QDM-1	Quadrum Trim Package for ModuFlex Series		
RGM -1	Regal Trim Package for ModuFlex Series		
	To figure upcharge:	# 36"W units (x) upcharge per unit =	
		# 72"W units (x) upcharge per unit = +	
		Total upcharge \$	

For the ultimate in versatility...

Combine any of our desk units in this series with any of the following mobile units.

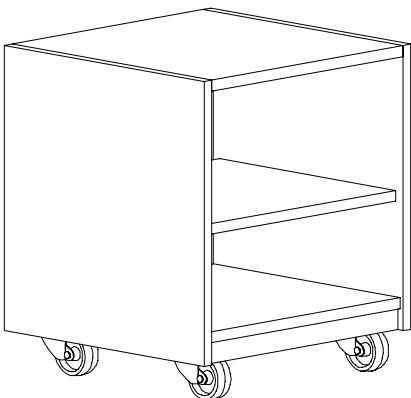
Combining mobile units and desk units allows you to change the function of any of your circulation desk work stations at a moment's notice. Units with permanent features can be used with desks that use mobile units.



Mobile Cupboard Unit

This unit is supplied with two (2) shelves for the adult height and one (1) shelf for the elementary height. The back is supplied with grommets for wire management.

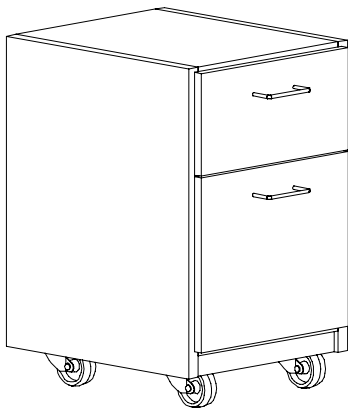
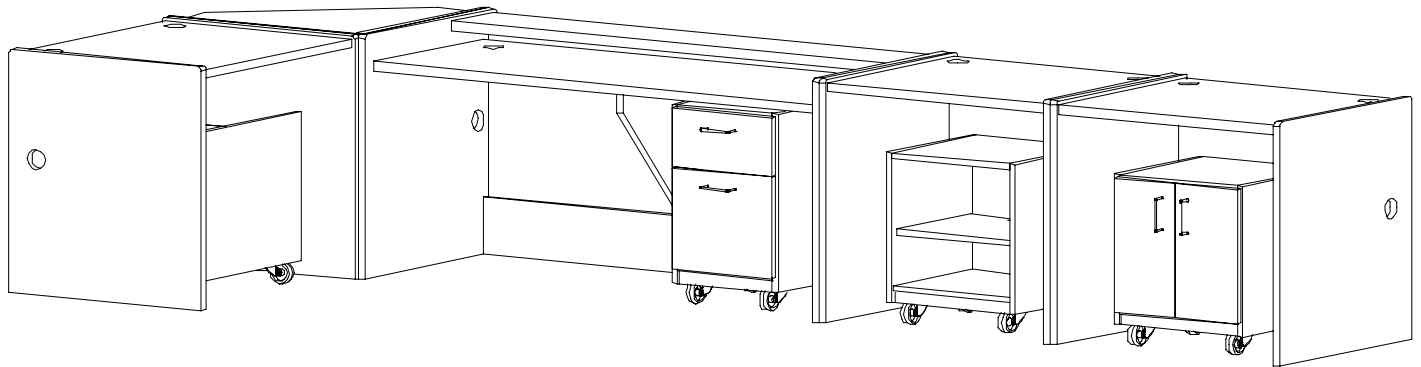
Catalog #	Description	Height"	Width"	Depth"	Price
A-27	Elementary height	26	25	20	
A-28	Adult height	36	25	20	



Mobile Open Shelf Unit

This unit is supplied with two (2) shelves for the adult height and one (1) shelf for the elementary height. The back is supplied with grommets for wire management.

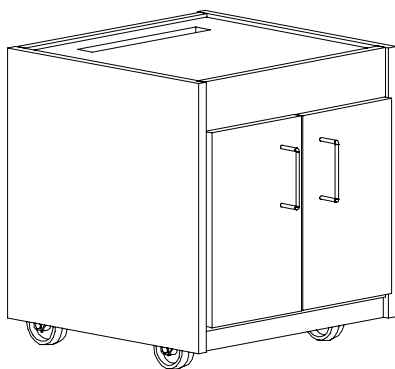
Catalog #	Description	Height"	Width"	Depth"	Price
A-29	Elementary height	26	25	20	
A-30	Adult height	30	25	20	



Mobile File Cabinet

The elementary height unit is supplied with (1) box and (1) file drawer. The intermediate height unit is supplied with (2) boxes and (1) file. The adult height unit is supplied with (1) box drawer and (2) file drawers. The box drawer is 14-7/8”W x 18”D x 5-1/4”H. The file drawer is 14-7/8”W x 18”D x 10-1/2”H. The unit is counterbalanced so that it does not tip over under normal use when the file drawer is opened.

Catalog #	Description	Height"	Width"	Depth"	Price
A-23	Elementary height	25	17	19	
A-23A	Intermediate height	31	17	19	
A-23B	Adult height	36	17	19	

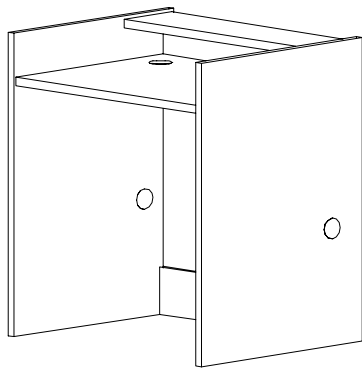


Mobile Printer Stand

Unit end panels are constructed of 1”T red oak veneer plywood. All other components are constructed with 3/4”T red oak veneer plywood. Unit is supplied with one (1) adjustable shelf and one (1) base shelf. The shelf is 22-13/4”W x 17”D x 3/4”T. Adj. Shelf is notched for wiring management. All exposed edges are edgebanded with 1/4”T solid red oak. Doors have satin chrome pulls. The bottom is supplied with a grommet for wire management. Wheels are 210 lbs rated ball-bearing swivel casters. The top is removable and is slotted for printer paper.

Catalog #	Description	Height"	Width"	Depth"	Price
A-24	Universal height	21	21	19	

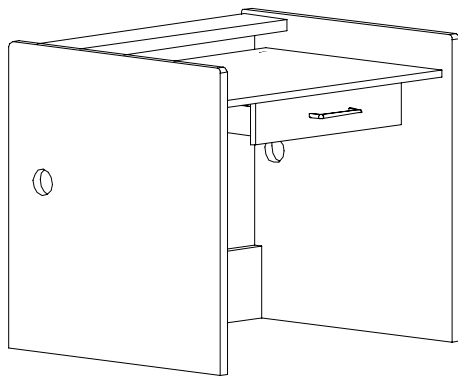
Circulation Desks



Patron Desk Unit

Inside dimensions are 34"W x 27-1/2"D. Units will have a work surface height of 29". All units will have a recessed work surface measuring 34"W x 27-1/2"D at a height of 29". Patron ledge is 6" deep. A grommet will be located in the center at the rear of the work surface unless otherwise specified.

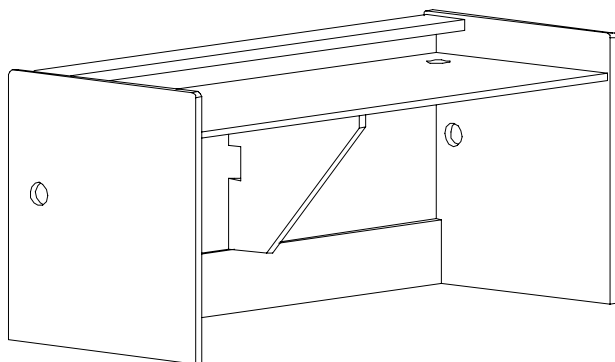
Catalog #	Description	Height"	Width"	Depth"	Price
CDM-3202	Elementary Height	32	36	30	
CDM-3902	Intermediate Height	39	36	30	
CDM-4202	Adult Height	42	36	30	



Patron Desk With Pencil Drawer Unit

Inside dimensions are 34"W x 27-1/2"D. All units will have a recessed work surface measuring 34"W x 27-1/2"D at a height of 29". Patron ledge is 6" deep. A grommet will be located in the center at the rear of the work surface unless otherwise specified. A pencil drawer will be centered under the work surface and will measure 18"W x 14-7/8"D x 3"H.

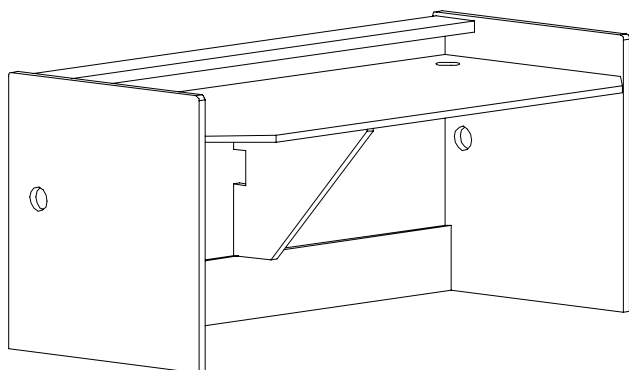
Catalog #	Description	Height"	Width"	Depth"	Price
CDM-3235	Elementary Height	32	36	30	
CDM-3935	Intermediate Height	39	36	30	
CDM-4235	Adult Height	42	36	30	



Double-Width Patron Desk Unit

Inside dimensions are 70"W x 27-1/2"D. All units will have a work surface height of 29". Patron ledge is 6" deep. Work surface is 70"W x 27-1/2"D. Two (2) grommets will be located at the rear of the work surface on each side unless otherwise specified. The work surface will be supported at midspan with a 1" thick stiffknee that rests on top of the toe board.

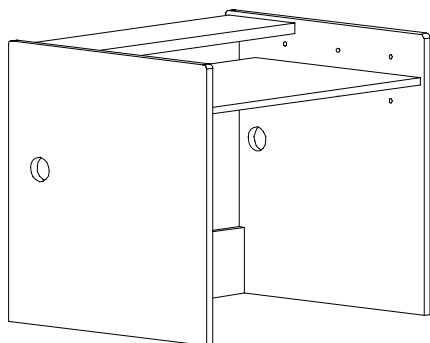
Catalog #	Description	Height"	Width"	Depth"	Price
CDM-3203	Elementary Height	32	72	30	
CDM-3903	Intermediate Height	39	72	30	
CDM-4203	Adult Height	42	72	30	



Double-Width Extended Work Surface Patron Desk Unit

Inside dimensions are 70”W x 27-1/2”D. All units will have a work surface height of 29”. Patron ledge is 6” deep. Two (2) grommets will be located at the rear of the work surface on each side unless otherwise specified. The work surface will be supported at midspan with a 1” thick stiffknee that rests on top of the toe board. Work surface is 70”W x 30”D.

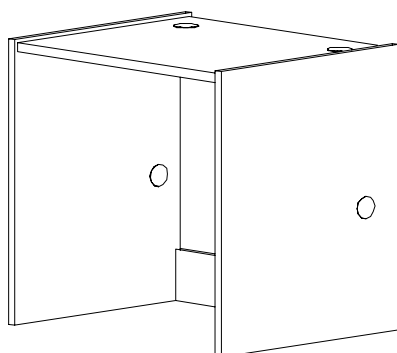
Catalog #	Description	Height"	Width"	Depth"	Price
CDM-3203-EW	Elementary Height	32	72	32	
CDM-3903-EW	Intermediate Height	39	72	32	
CDM-4203-EW	Adult Height	42	72	32	



Patron Desk with adjustable work surface

This unit provides a 6”D patron ledge. The work surface is adjustable to accommodate a variety of possible needs. On the adult height unit, the work surface possibilities are 29”H, 32”H, and 39”H. On the intermediate height unit, the work surface possibilities are 27”H, 29”H, and 32”H. On the elementary height unit, the work surface possibilities are 27”H, and 29”H. A grommet will be located in the center at the rear of the work surface unless otherwise specified. Work surface is 34”W x 27-1/2”D.

Catalog #	Description	Height"	Width"	Depth"	Price
CDM-3248	Elementary Height	32	36	30	
CDM-3948	Intermediate Height	39	36	30	
CDM-4248	Adult Height	42	36	30	

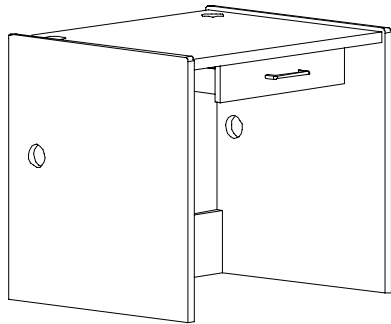


Desk Unit

Each unit will have inside dimensions of 34”W x 27-1/2”D. Two (2) grommets will be located at the rear of the work surface on each side unless otherwise specified.

Catalog #	Description	Height"	Width"	Depth"	Price
CDM-3234	Elementary Height	32	36	30	
CDM-3934	Intermediate Height	39	36	30	
CDM-4234	Adult Height	42	36	30	

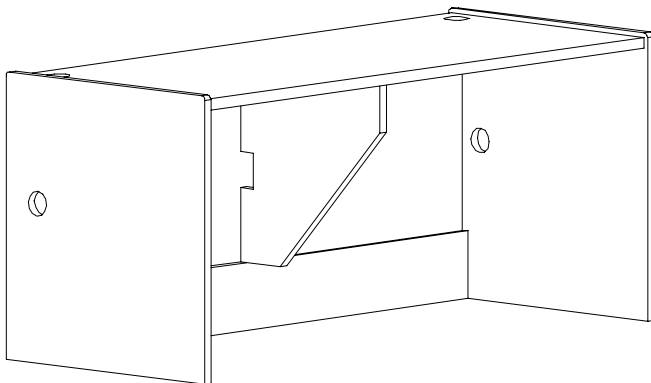
Circulation Desks



Desk Unit With Pencil Drawer

Each Unit will have an inside dimension of 34"W x 27-1/2"D. A grommet will be located near each edge of the unit unless otherwise specified. A pencil drawer will be located underneath the middle of the work surface and will measure 18"W x 14-7/8"D x 3"H.

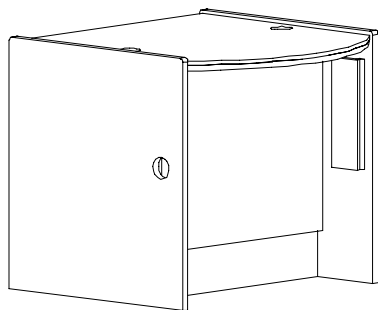
Catalog #	Description	Height"	Width"	Depth"	Price
CDM-3247	Elementary Height	32	36	30	
CDM-3947	Intermediate Height	39	36	30	
CDM-4247	Adult Height	42	36	30	



Double Width Desk Unit

Each Unit will have an inside dimension of 70"W x 27-1/2"D. This unit will be supplied with two (2) grommets located at each end of the work surface unless otherwise specified. The work surface will be supported at midspan with a 1" thick stiffknee that rests on top of the toe board.

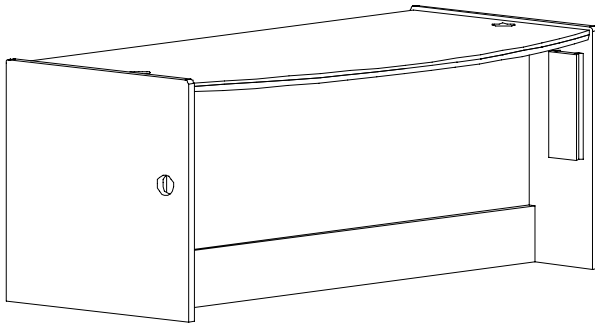
Catalog #	Description	Height"	Width"	Depth"	Price
CDM-3253	Elementary Height	32	72	30	
CDM-3953	Intermediate Height	39	72	30	
CDM-4253	Adult Height	42	72	30	



ADA Transaction Unit

The unit will have modesty panel mounted along the midline. The modesty panel is recessed from the patron side to provide room for wheelchair access. This unit will be supplied with two (2) grommets located at each end of the work surface unless otherwise specified. A wire chase is supplied to ensure wire concealment.

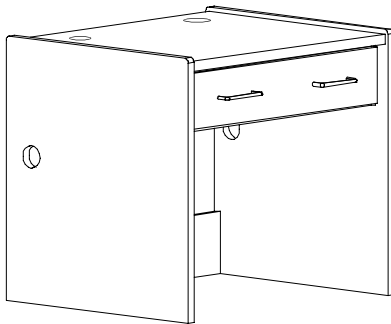
Catalog #	Description	Height"	Width"	Depth"	Price
CDM-3220	ADA 32"H - use of all heights	32	36	36	



Double-Width ADA Transaction Unit

The unit will have modesty panel mounted along the midline. The modesty panel is recessed from the patron side to provide room for wheelchair access. This unit will be supplied with two (2) grommets located at each end of the work surface unless otherwise specified. A wire chase is supplied to ensure wire concealment.

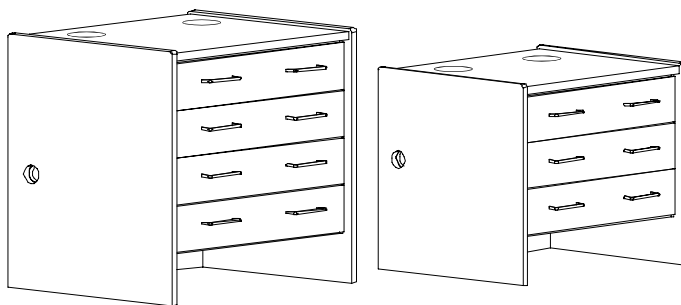
Catalog #	Description	Height"	Width"	Depth"	Price
CDM-3221	ADA max height 32" H	32	72	36	



Single Drawer Knee Space Unit

The inside dimensions of the unit are 34"W x 27-1/2"D. The unit is supplied with a 31-1/2"W x 18"D x 5-1/4"H drawer. This unit will be supplied with two (2) grommets located at each end of the work surface unless otherwise specified.

Catalog #	Description	Height"	Width"	Depth"	Price
CDM-3236	Elementary Height	32	36	30	
CDM-3936	Intermediate Height	39	36	30	
CDM-4236	Adult Height	42	36	30	



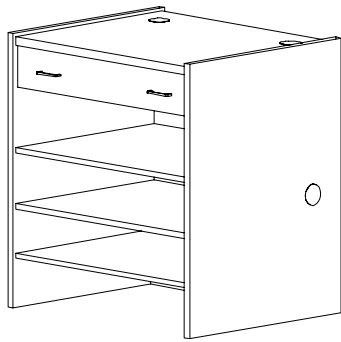
Shown Adult & Elementary

Single Drawer Stack Unit

This unit will consist of a stack of full width drawers 31-1/2"W x 18"D x 5-1/4"H. The adult and intermediate height units will receive four (4) drawers and the elementary unit will receive three (3) drawers. This unit will be supplied with two (2) grommets located at each end of the work surface unless otherwise specified.

Catalog #	Description	Height"	Width"	Depth"	Price
CDM-3222	Elementary Height	32	36	30	
CDM-3922	Intermediate Height	39	36	30	
CDM-4222	Adult Height	42	36	30	

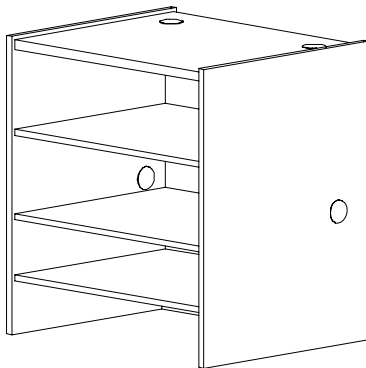
Circulation Desks



Single Drawer Open Shelf Unit

Unit is supplied with a full-width, 31-1/2"W x 18"D x 5-1/4"H drawer over open shelving. Adult and intermediate units are supplied with two full-depth, adjustable shelves. The elementary height unit is supplied with one full-depth, adjustable shelf. This unit will be supplied with two (2) grommets located at each end of the work surface unless otherwise specified. The shelf is 32-1/4"W x 23"D x 3/4"T

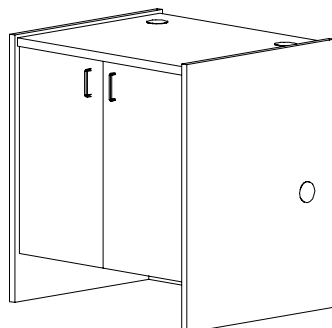
Catalog #	Description	Height"	Width"	Depth"	Price
CDM-3246	Elementary Height	32	36	30	
CDM-3946	Intermediate Height	39	36	30	
CDM-4246	Adult Height	42	36	30	



Open Shelf Unit

Adult and Intermediate height units will be supplied with two full-depth, adjustable shelves. Elementary height units will be supplied with one shelf. This unit will be supplied with two (2) grommets located at each end of the work surface unless otherwise specified. The shelf is 32-1/4"W x 23"D x 3/4"T

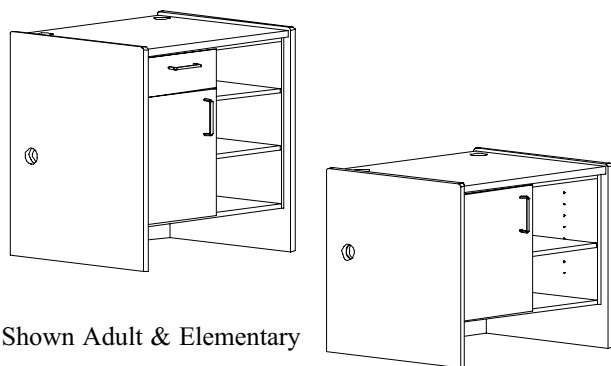
Catalog #	Description	Height"	Width"	Depth"	Price
CDM-3208	Elementary Height	32	36	30	
CDM-3908	Intermediate Height	39	36	30	
CDM-4208	Adult Height	42	36	30	



Cupboard Unit

Adult and Intermediate height units are supplied with two full-depth, adjustable shelves. Elementary height units will be supplied with one shelf. Hinged doors will have a lock and door pulls. This unit will be supplied with two (2) grommets located at each end of the work surface unless otherwise specified. The shelf is 32-1/4"W x 23"D x 3/4"T

Catalog #	Description	Height"	Width"	Depth"	Price
CDM-3210	Elementary Height	32	36	30	
CDM-3910	Intermediate Height	39	36	30	
CDM-4210	Adult Height	42	36	30	

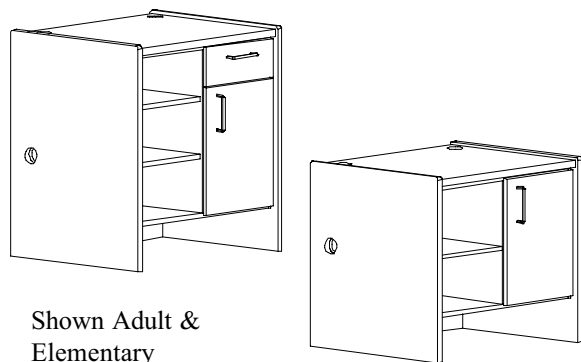


Shown Adult & Elementary

Left Cupboard Open Shelf Unit

On the left side, the adult and intermediate units will be supplied with a locking box drawer and a cupboard space with two (2) adjustable shelves. The elementary unit will be supplied with a cupboard unit with (1) adj. shelf. The right side of the unit will be open adj. shelving. The adult and intermediate height units will be supplied with (2) adj. shelves, and the elementary height unit will be supplied with (1) adj. shelf. This unit will be supplied with (2) grommets located at each end of the work surface unless otherwise specified. The shelf is 15-5/8”W x 23”D x 3/4”T. The box drawer is 14-7/8”W x 18”D x 5-1/4”H.

Catalog #	Description	Height"	Width"	Depth"	Price
CDM-3242	Elementary Height	32	36	30	
CDM-3942	Intermediate Height	39	36	30	
CDM-4242	Adult Height	42	36	30	

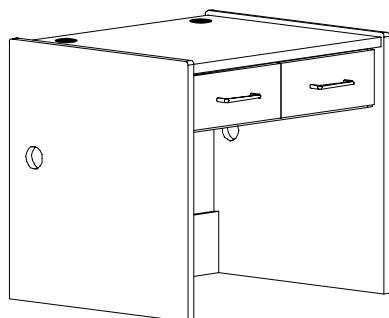


Shown Adult & Elementary

Right Cupboard Open Shelf Unit

On the right side, the adult and intermediate units will be supplied with a locking box drawer and a cupboard space with two (2) adjustable shelves. The elementary unit will be supplied with a cupboard unit with (1) adj. shelf. The left side of the unit will be open adj. shelving. The adult and intermediate height units will be supplied with (2) adj. shelves, and the elementary height unit will be supplied with (1) adj. shelf. This unit will be supplied with (2) grommets located at each end of the work surface unless otherwise specified. The shelf is 15-5/8”W x 23”D x 3/4”T. The box drawer is 14-7/8”W x 18”D x 5-1/4”H.

Catalog #	Description	Height"	Width"	Depth"	Price
CDM-3243	Elementary Height	32	36	30	
CDM-3943	Intermediate Height	39	36	30	
CDM-4243	Adult Height	42	36	30	

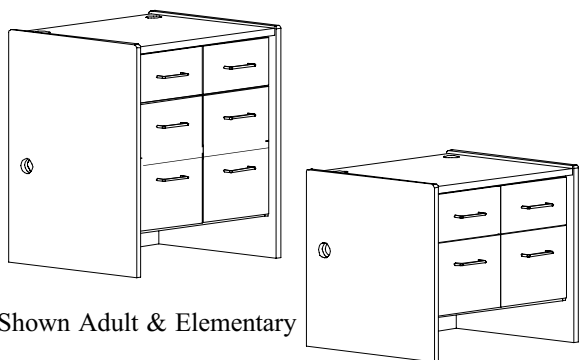


Double Drawer Knee Space Unit

Each unit is supplied with two (2) lockable equal-width drawers each measuring 14-7/8”W x 18”D x 5-1/4”H. Inside measures 34”W x 27-1/2”D. This unit will be supplied with two (2) grommets located at each end of the work surface unless otherwise specified.

Catalog #	Description	Height"	Width"	Depth"	Price
CDM-3209	Elementary Height	32	36	30	
CDM-3909	Intermediate Height	39	36	30	
CDM-4209	Adult Height	42	36	30	

Circulation Desks

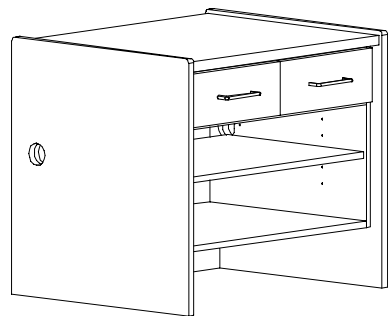


Shown Adult & Elementary

Double Drawer Stack Unit

This unit consists of a double stack of drawers. The adult height unit takes four (4) file drawers and two (2) box drawers. The intermediate unit takes four (4) file drawers. The elementary takes two (2) file drawers and two (2) box drawers. The box drawer is 14-7/8"W x 18"D x 5-1/4"H. The file drawer is 14-7/8"W x 18"D x 10.5"H. Supplied with two (2) grommets located at each end of the work surface unless otherwise specified.

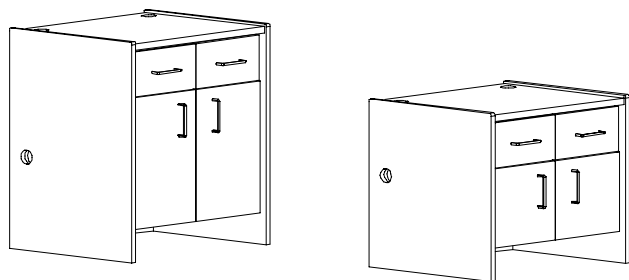
Catalog #	Description	Height"	Width"	Depth"	Price
CDM-3229	Elementary Height	32	36	30	
CDM-3929	Intermediate Height	39	36	30	
CDM-4229	Adult Height	42	36	30	



Double-Drawer Open Shelf Unit

Each unit is supplied with two equal-width locking drawers, each measuring 14-7/8"W x 18"D x 5-1/4"H over open shelving. Adult and Intermediate height units will be supplied with two full-depth adjustable shelves. Elementary height units will be supplied with one shelf. The shelf is 32-1/4"W x 23"D x 3/4"T. Supplied with two (2) grommets located at each end of the work surface unless otherwise specified.

Catalog #	Description	Height"	Width"	Depth"	Price
CDM-3237	Elementary Height	32	36	30	
CDM-3937	Intermediate Height	39	36	30	
CDM-4237	Adult Height	42	36	30	

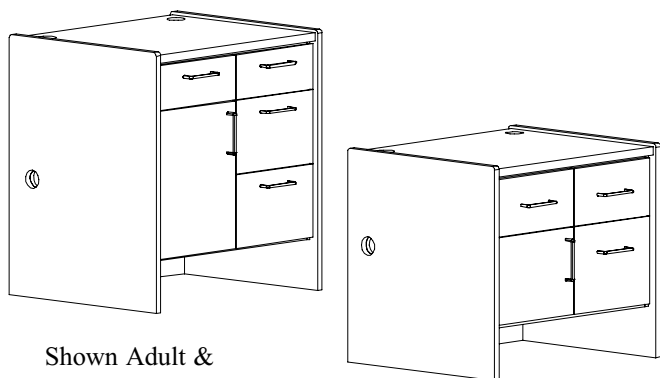


Shown Adult & Elementary

Double Drawer Cupboard Unit

Unit is supplied with two equal width box drawers, each measuring 14-7/8"W x 18"D x 5-1/4"H. These drawers are mounted over the cupboard storage space. Adult and Intermediate units have 2 adjustable shelves. Elementary unit has 1 adjustable shelf. The shelf is 34-1/4"W x 23"D x 3/4"T. Supplied with two (2) grommets located at each end of the work surface unless otherwise specified.

Catalog #	Description	Height"	Width"	Depth"	Price
CDM-3238	Elementary Height	32	36	30	
CDM-3938	Intermediate Height	39	36	30	
CDM-4238	Adult Height	42	36	30	

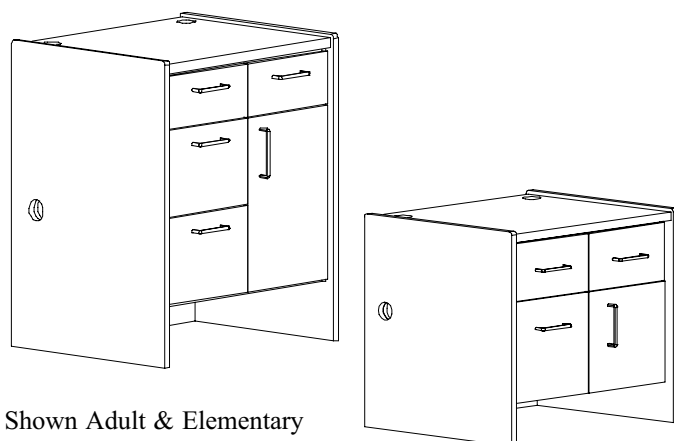


Shown Adult & Elementary

Double Drawer, Left Cupboard & File Unit

The left side all heights will have (1) locking box drawer over a cupboard storage area. On the right side, the adult height unit will have (1) locking box drawer, two (2) file drawers, the intermediate will have (2) file drawers, and the elementary will have (1) locking box drawer and (1) file drawer. The adult and intermediate will have (2) adjustable shelves and the elementary will have (1) adjustable shelf. The box drawers are 14-7/8"W x 18"D x 5-1/4"H. The file drawers are 14-7/8"W x 18"D x 10-1/2"H. The shelf is 15-5/8"W x 23"D x 3/4"T. Supplied with (2) grommets located at each end of the work surface unless otherwise specified.

Catalog #	Description	Height"	Width"	Depth"	Price
CDM-3254	Elementary Height	32	36	30	
CDM-3954	Intermediate Height	39	36	30	
CDM-4254	Adult Height	42	36	30	



Shown Adult & Elementary

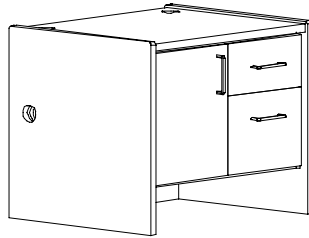
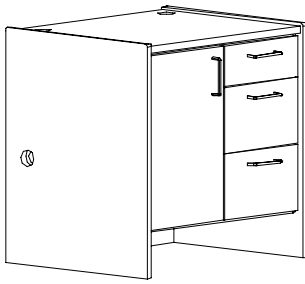
Double Drawer, Right Cupboard & File Unit

The right side all heights will have (1) locking box drawer over a cupboard storage area. On the left side, the adult height unit will have one (1) locking box drawer, (2) file drawers, the intermed. will have (2) file drawers, and the elementary will have (1) locking box drawer and (1) file drawer. The adult & intermed. will have (2) adjustable shelves and the elementary will have (1) adjustable shelf. The box drawers are 14-7/8"W x 18"D x 5-1/4"H. The file drawers are 14-7/8"W x 18"D x 10-1/2"H. The shelf is 15-5/8"W x 23"D x 3/4"T. Supplied with (2) grommets located at each end of the work surface unless otherwise specified.

Catalog #	Description	Height"	Width"	Depth"	Price
CDM-3241	Elementary Height	32	36	30	
CDM-3941	Intermediate Height	39	36	30	
CDM-4241	Adult Height	42	36	30	

“The only person who is educated is the one who has learned how to learn...”
Carl R. Rogers

Circulation Desks

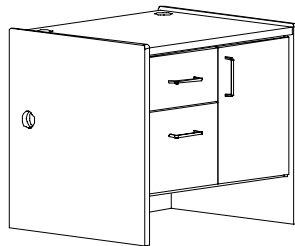
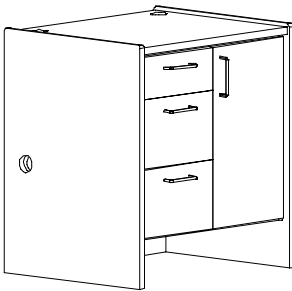


Shown Adult & Elementary

File Drawer *Left* Cupboard Unit

The cupboard unit will be on the left side, the drawer stack will be on the right side. Each adult height unit will have (1) box drawer, (2) file drawers and (2) adjustable shelves. Intermed. height units will have (2) file drawers and (2) adjustable shelves. Elem. height units have one (1) box drawer, (1) file drawer and (1) adjustable shelf. The top drawer and cupboard door will receive a lock. The box drawers are 14-7/8"W x 18"D x 5-1/4"H. The file drawers are 14-7/8"W x 18"D x 10-1/2"H. The shelf is 15-5/8"W x 23"D x 3/4"T. This unit will be supplied with (2) grommets located at each end of the work surface unless otherwise specified.

Catalog #	Description	Height"	Width"	Depth"	Price
CDM-3240	Elementary height	32	36	30	
CDM-3940	Intermediate height	39	36	30	
CDM-4240	Adult height	42	36	30	

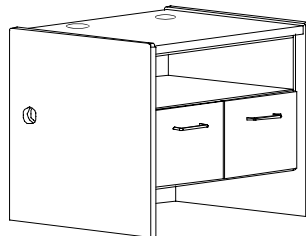
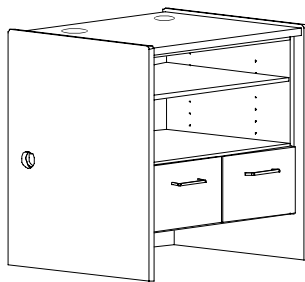


Shown Adult & Elementary

File Drawer *Right* Cupboard Unit

The drawer stack will be on the left side and the cupboard unit will be on the right side. Each adult height units will have (1) box drawer, (2) file drawers and (2) adjustable shelves. Intermed. height units will have (2) file drawers and (2) adjustable shelves. Elem. height units have (1) box drawer, (1) file drawer and (1) adjustable shelf. The top drawer and cupboard door will receive a lock. The box drawers are 14-7/8"W x 18"D x 5-1/4"H. The file drawers are 14-7/8"W x 18"D x 10-1/2"H. The shelf is 15-5/8"W x 23"D x 3/4"T. This unit will be supplied with (2) grommets located at each end of the work surface unless otherwise specified.

Catalog #	Description	Height"	Width"	Depth"	Price
CDM-3239	Elementary height	32	36	30	
CDM-3939	Intermediate height	39	36	30	
CDM-4239	Adult height	42	36	30	

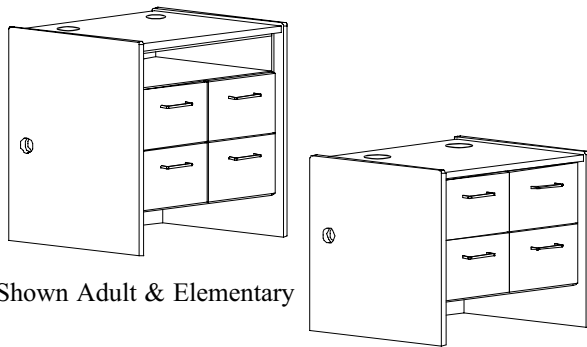


Shown Adult & Elementary

Two-Drawer File Open Top Shelf Unit

Each unit is an Open Shelf Unit with two letter file drawers. Adult and Intermediate height units are supplied with one full-depth, adjustable shelf. Elementary height units will not have an adjustable shelf. The file drawers are 14-7/8"W x 18"D x 10-1/2"H. The shelf is 15-5/8"W x 23"D x 3/4"T. This unit will be supplied with (2) grommets located at each end of the work surface unless otherwise specified.

Catalog #	Description	Height"	Width"	Depth"	Price
CDM-3214	Elementary height	32	36	30	
CDM-3914	Intermediate height	39	36	30	
CDM-4214	Adult height	42	36	30	

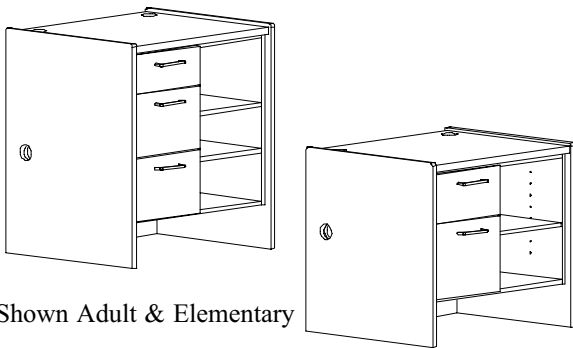


Shown Adult & Elementary

Four-Drawer File Open Top Shelf Unit

Each unit is an Open Shelf Unit with four letter file drawers. Adult and Intermediate height units have open storage provided above drawers measuring. Elementary height units will not have open storage. The file drawers are 14-7/8"W x 18"D x 10-1/2"H.

Catalog #	Description	Height"	Width"	Depth"	Price
CDM-3215	Elementary height	32	36	30	
CDM-3915	Intermediate height	39	36	30	
CDM-4215	Adult height	42	36	30	

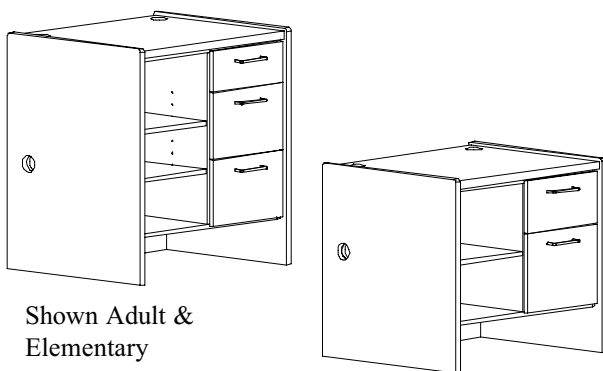


Shown Adult & Elementary

Left File Drawer Open Side Shelf Unit

The drawer stack will be on the left side and the open shelf will be on the right. Adult units have (1) lockable box drawer, 2 file drawers, and 2 adjustable shelves in the open space. Intermediate units have 2 file drawers and 2 adjustable shelves. Elementary units have 1 box drawer, 1 file drawer and 1 adjustable shelf. The box drawers are 14-7/8"W x 18"D x 5-1/4"H. The file drawers are 14-7/8"W x 18"D x 10-1/2"H. The shelf is 15-5/8"W x 23"D x 3/4"T

Catalog #	Description	Height"	Width"	Depth"	Price
CDM-3244	Elementary height	32	36	30	
CDM-3944	Intermediate height	39	36	30	
CDM-4244	Adult height	42	36	30	

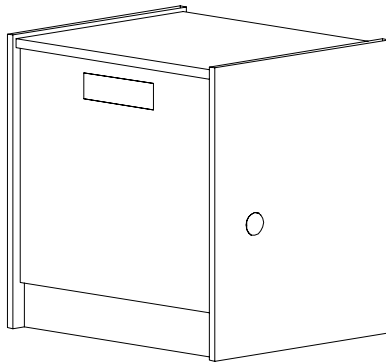


Shown Adult & Elementary

Right File Drawer Open Side Shelf Unit

The drawer stack will be on the right side and the open shelf will be on the left. Adult units have (1) lockable box drawer, 2 file drawers, and 2 adjustable shelves in the open space. Intermediate units have 2 file drawers and 2 adjustable shelves. Elementary units have 1 box drawer, 1 file drawer and 1 adjustable shelf. The box drawers are 14-7/8"W x 18"D x 5-1/4"H. The file drawers are 14-7/8"W x 18"D x 10-1/2"H. The shelf is 15-5/8"W x 23"D x 3/4"T

Catalog #	Description	Height"	Width"	Depth"	Price
CDM-3245	Elementary height	32	36	30	
CDM-3945	Intermediate height	39	36	30	
CDM-4245	Adult height	42	36	30	

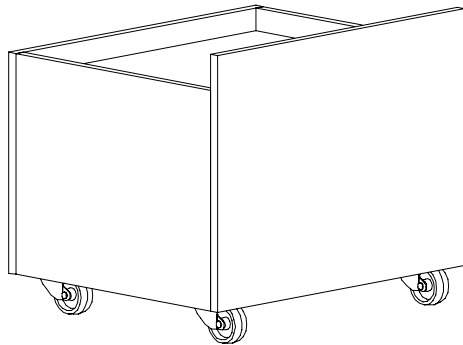


Book Return Unit

Inside dimensions are 34"W x 27-1/2"D. The front panel will have a 3"H x 12"W book-return slot, fully edgebanded, with an internal wood chute so as to allow gentle deposit of books into book truck. A rear-mounted 3/4"T edgebanded wood book chute allows for the gentle deposit of reading materials. (BT-D39 for adult & intermediate height units or BT-D32 for elementary-height units).

See Mobile Units for Depressible Book Trucks

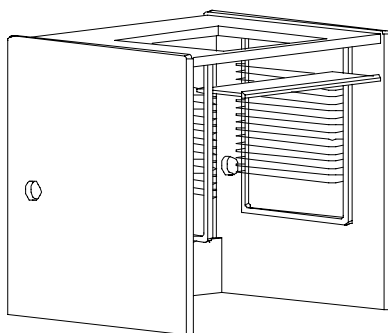
Catalog #	Description	Height"	Width"	Depth"	Price
CDM-3205	Elementary height	32	36	30	
CDM-3905	Intermediate height	39	36	30	
CDM-4205	Adult height	42	36	30	



Depressible Book Truck

Each unit will have a depressible platform that will hold approximately 70 books. Each unit will have four 3" swivel casters mounted directly to a 3/4"T red oak veneer plywood bottom using 5/16" dia bolts with are received on the top size of plywood via T-nuts.

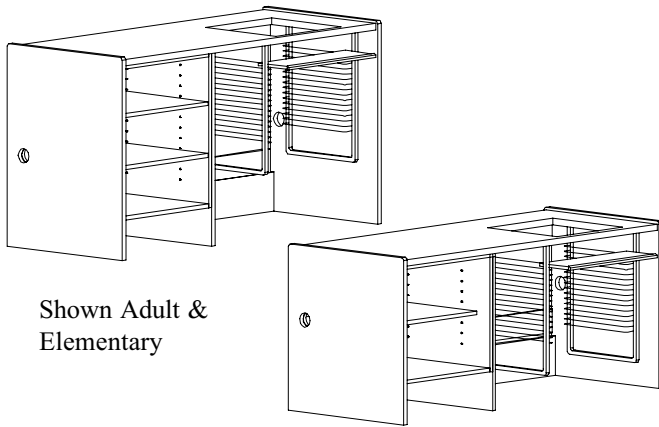
Catalog #	Description	Height"	Width"	Depth"	Price
BT-D32	Elementary height	22	26	22	
BT-D39	Adult height	29	26	22	



NOVA Unit

Each unit will have a NOVA assembly mounted to the underside of the work surface to accommodate a computer monitor, and pullout keyboard tray. A corresponding 18-1/4"L x 18-1/4"W viewport will be machined into the continuous top to accommodate monitor viewing.

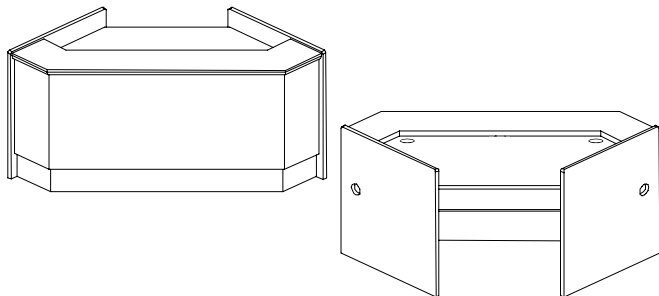
Catalog #	Description	Height"	Width"	Depth"	Price
CDM-3230	Elementary Height	32"	36"	30"	
CDM-3930	Intermediate Height	39"	36"	30"	
CDM-4230	Adult Height	42"	36"	30"	



NOVA and Open Shelf Unit

Each unit will have a NOVA assembly mounted to the underside of the work surface to accommodate a computer monitor, and pullout keyboard tray. A corresponding 18-1/4”L x 18-1/4”W viewport will be machined into the continuous top to accommodate monitor viewing. Each unit will also have adjustable shelves measuring 23-3/4”W x 27-1/2”D. Adult and Intermediate height units will have two (2) adjustable shelves and elementary height units will have one (1) adjustable shelf.

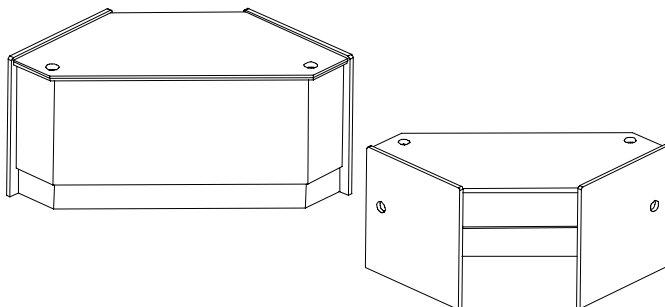
Catalog #	Description	Height"	Width"	Depth"	Price
CDM-3231	Elementary Height	32	72	30	
CDM-3931	Intermediate Height	39	72	30	
CDM-4231	Adult Height	42	72	30	



Corner Patron Desk Unit

Each unit is designed to provide a 90-degree transition in any desk arrangement, while providing a corner work space with a recessed work surface and patron ledge. The recessed work surface will be mounted at 29”H using metal cleats. The working width for staff-side accessibility will be 35”W. This unit is supplied with two (2) work surface grommets located at each end unless otherwise specified. The patron ledge is 6” deep.

Catalog #	Description	Height"	Width"	Depth"	Price
CDM-3232	Elementary Height	32	78-5/8	30	
CDM-3932	Intermediate Height	39	78-5/8	30	
CDM-4232	Adult Height	42	78-5/8	30	

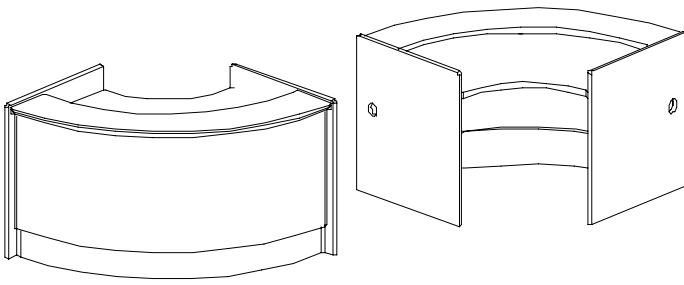


Corner Desk Unit

Each unit is designed to provide a 90-degree transition in any desk arrangement, while providing a corner work space. The working width for staff-side accessibility will be 35”W. This unit is supplied with two (2) work surface grommets located at each end unless otherwise specified.

Catalog #	Description	Height"	Width"	Depth"	Price
CDM-3233	Elementary Height	32	78-5/8	30	
CDM-3933	Intermediate Height	39	78-5/8	30	
CDM-4233	Adult Height	42	78-5/8	30	

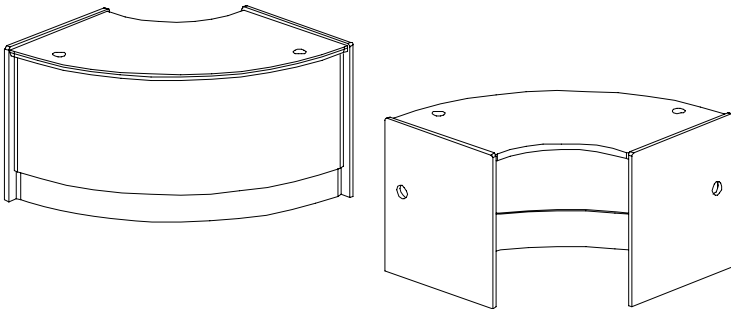
Circulation Desks



Rounded Corner Patron Desk Unit

Each unit is designed to provide a radiused 90-degree transition in any desk arrangement, while providing a corner work space with a recessed work surface and patron ledge. The recessed work surface will be mounted at 29”H using metal cleats. The working width for staff-side accessibility will be 35”W. This unit is supplied with two (2) work surface grommets located at each end unless otherwise specified. The patron ledge is 6”D.

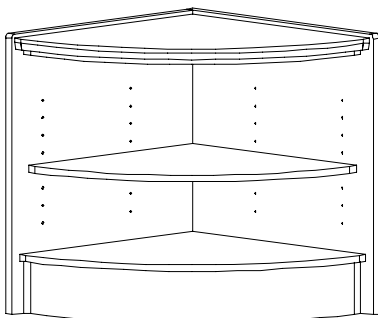
Catalog #	Description	Height"	Width"	Depth"	Price
CDM-3250	Elementary Height	32	78-5/8"	30	
CDM-3950	Intermediate Height	39	78-5/8"	30	
CDM-4250	Adult Height	42	78-5/8"	30	



Rounded Corner Desk Unit

Each unit is designed to provide a radiused 90-degree transition in any desk arrangement, while providing a corner work space. The working width for staff-side accessibility will be 35”W. This unit is supplied with two (2) work surface grommets located at each end unless otherwise specified.

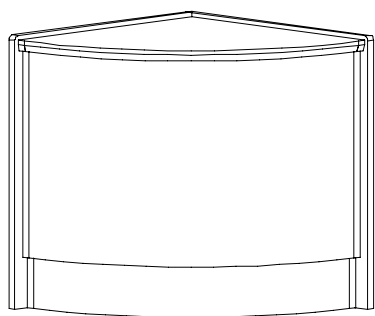
Catalog #	Description	Height"	Width"	Depth"	Price
CDM-3251	Elementary Height	32	78-5/8"	30	
CDM-3951	Intermediate Height	39	78-5/8"	30	
CDM-4251	Adult Height	42	78-5/8"	30	



90 Degree Radiused Corner Open Shelf Unit

Each unit will be triangular, with a radiused, open-face design and will be used to form a 90-degree transition in any desk arrangement. Adult and Intermediate height units will be supplied with two (2) adjustable shelves and elementary height units will be supplied with one (1) adjustable shelf. Open shelf corner units do not provide for wire access. Shelves will be accessible from patron side of circulation desk.

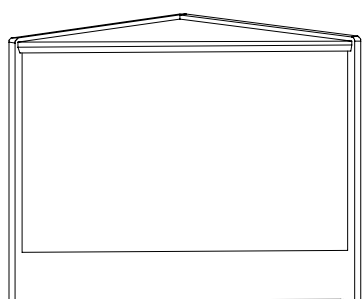
Catalog #	Description	Height"	Width"	Depth"	Price
CDM-3228	Elementary Height	32	30	30	
CDM-3928	Intermediate Height	39	30	30	
CDM-4228	Adult Height	42	30	30	



90 Degree Radiused Closed Corner Unit

Each unit will be triangular, with a radiused, closed-face design and will be used to form a 90-degree transition in any desk arrangement. This unit is supplied with an internal wire manager unless otherwise specified.

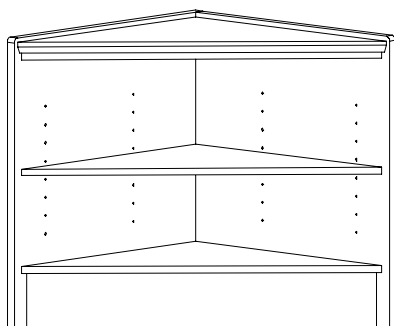
Catalog #	Description	Height"	Width"	Depth"	Price
CDM-3226	Elementary Height	32	30	30	
CDM-3926	Intermediate Height	39	30	30	
CDM-4226	Adult Height	42	30	30	



90 Degree Flat Corner Unit

Each unit will be triangular with a flat closed -front design and will be used to form a 90-degree transition in any desk arrangement. This unit is supplied with an internal wire manager unless otherwise specified.

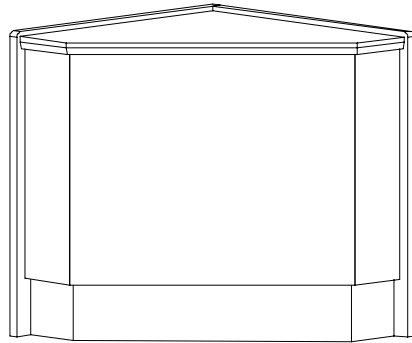
Catalog #	Description	Height"	Width"	Depth"	Price
CDM-3252	Elementary Height	32	30	30	
CDM-3952	Intermediate Height	39	30	30	
CDM-4252	Adult Height	42	30	30	



90 Degree Flat Corner Open Shelf Unit

Each unit will be triangular with an flat open-front design and will be used to form a 90-degree transition in any desk arrangement. Each unit will have one (1) fixed base shelf and adjustable shelves according to unit height. Adult and Intermediate height units will be supplied with two (2) adjustable shelves and elementary height units will be supplied with one (1) adjustable shelf. Shelves will be accessible from patron side of circulation desk. Open shelf corner units do not provide for wire access.

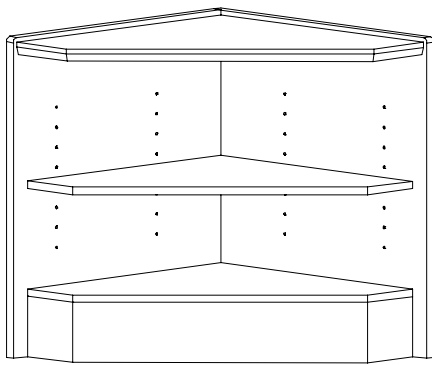
Catalog #	Description	Height"	Width"	Depth"	Price
CDM-3223	Elementary Height	32	36	30	
CDM-3923	Intermediate Height	39	36	30	
CDM-4223	Adult Height	42	36	30	



90 Degree Closed Corner Unit

Each unit will be triangular with an angled, closed-face design and will be used to form a 90-degree transition in any desk arrangement. This unit is supplied with an internal wire manager unless otherwise specified.

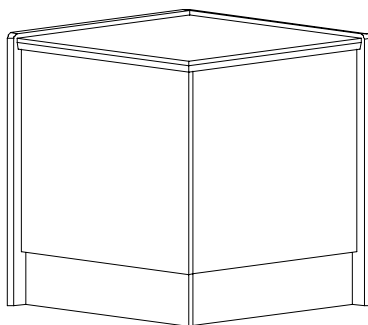
Catalog #	Description	Height"	Width"	Depth"	Price
CDM-3216	Elementary Height	32	30	30	
CDM-3916	Intermediate Height	39	30	30	
CDM-4216	Adult Height	42	30	30	



90 Degree Corner Open Shelf Unit

Each unit will be triangular with an angled open-front design and will be used to form a 90-degree transition in any desk arrangement. Each unit will have one (1) fixed base shelf and adjustable shelves according to unit height. Adult and Intermediate height units will be supplied with two (2) adjustable shelves and elementary-height units will be supplied with one (1) adjustable shelf. Shelves will be accessible from patron side of circulation desk. Open shelf corner units do not provide for wire access.

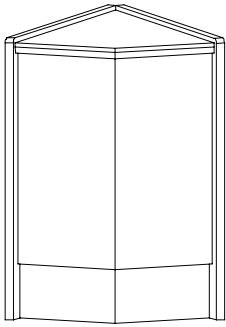
Catalog #	Description	Height"	Width"	Depth"	Price
CDM-3217	Elementary Height	32	30	30	
CDM-3917	Intermediate Height	39	30	30	
CDM-4217	Adult Height	42	30	30	



Square Corner Unit

Each unit will be square, closed-face design and will be used to form a 90-degree transition in any desk arrangement. This unit is supplied with an internal wire manager unless otherwise specified.

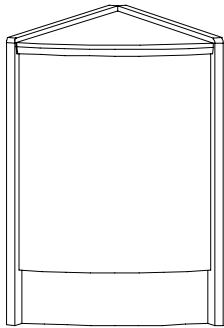
Catalog #	Description	Height"	Width"	Depth"	Price
CDM-3224	Elementary Height	32	30	30	
CDM-3924	Intermediate Height	39	30	30	
CDM-4224	Adult Height	42	30	30	



45 Degree Closed Corner Unit

Each unit will be triangular, with an angled, closed-face design and will be used to form a 45-degree transition in any desk arrangement. This unit is supplied with an internal wire manager unless otherwise specified.

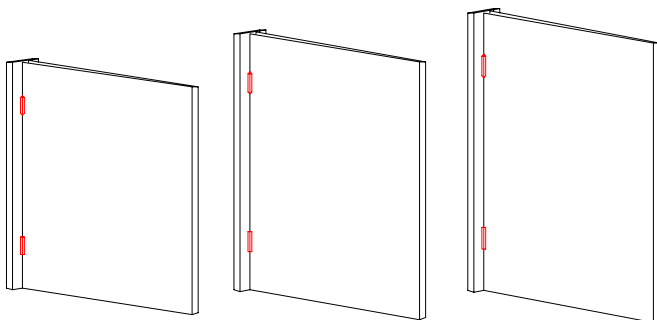
Catalog #	Description	Height"	Width"	Depth"	Price
CDM-3225	Elementary Height	32	21	30	
CDM-3925	Intermediate Height	39	21	30	
CDM-4225	Adult Height	42	21	30	



45 Degree Radiused Corner Unit

Each unit will be triangular, with a radiused, closed-face design and will be used to form a 45-degree transition in any desk arrangement. This unit is supplied with an internal wire manager unless otherwise specified.

Catalog #	Description	Height"	Width"	Depth"	Price
CDM-3227	Elementary Height	32	21	30	
CDM-3927	Intermediate Height	39	21	30	
CDM-4227	Adult Height	42	21	30	



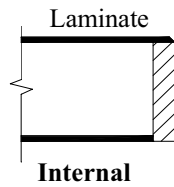
Swinging Gate

When specified, gates will be mounted to walls or finished end panels on the circulation desk. Gates will be constructed using banded, matching 1”T veneer-core plywood in widths of up to 36”. Single-action gates are supplied with stop moulding. **The desired width of the gate and hinge type (single or double action) MUST BE quoted in advance and specified on the order.**

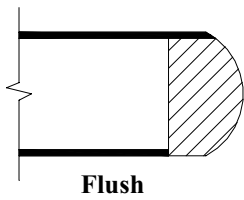
Catalog #	Description	Height"	Width"	Thickness"	Price
CDM-1G 32	Elementary height, single action hinge	32	Specify	1	based on width
CDM-2G 32	Elementary height, double action hinge	32	Specify	1	based on width
CDM-1G 39	Intermediate height, single action hinge	39	Specify	1	based on width
CDM-2G 39	Intermediate height, double action hinge	39	Specify	1	based on width
CDM-1G 42	Adult height, single action hinge	42	Specify	1	based on width
CDM-2G 42	Adult height, double action hinge	42	Specify	1	based on width

Edge Band Details

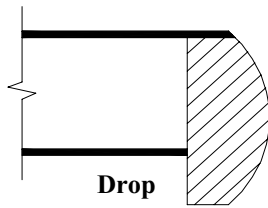
Planning For & Ordering Edgeband for ModuFlex Series



Staff side of the work surface comes with a 1/4" internal solid red oak edgeband.



Flush



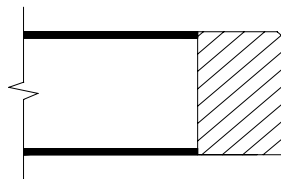
Drop

When choosing an edgeband for patron side you can either have the edgeband placed flush with the bottom of the top or dropped below the bottom.

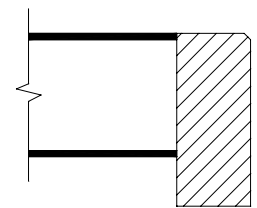
Work surfaces will be constructed with a 3/4" T solid red oak edgeband and can be ordered with any one of a variety of internal or external edgeband details.

See below for edge details for the ModuFlex Series.

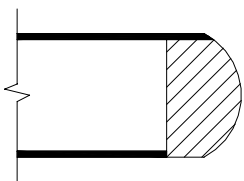
**Edge Details
for
ModuFlex Series**



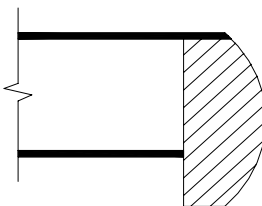
1 1/4" thick top (External)
Montana Flush



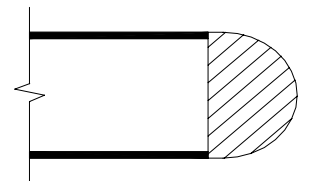
1 1/4" thick top (External)
Montana Drop



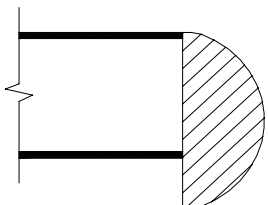
1 1/4" thick top (Internal)
Shallow Bullnose Flush



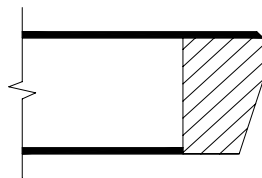
1 1/4" thick top (Internal)
Shallow Bullnose Drop



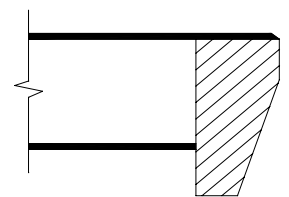
1 1/4" thick top (External)
Bullnose Flush



1 1/4" thick top (External)
Bullnose Drop



1 1/4" thick top (Internal)
Premier Flush



1 1/4" thick top (Internal)
Premier Drop